

---

# BERTAZZONI PROFESSIONAL SERIES

## 24" COMBI MICROWAVE OVEN SO 24 PRO X



24 inch built-in oven shown with optional 30" trim kit

The Bertazzoni Professional Series combi microwave oven is versatile and easy-to-use, with a family-sized capacity and 6 microwave power levels. In addition to European convection it also has conventional electric oven cooking modes and an electric grill. These can be combined with the microwave functions for perfect results reducing cooking time by more than half.

### TOUCH CONTROL



The intuitive touch-through-glass interface features a clear graphic display, turning this oven into the perfect partner for your every day cooking.

### HANDLE SOLUTION



The solid stainless steel handle assembly completes the elegantly balanced flush oven front.



TO COOK BEAUTIFULLY

# BERTAZZONI PROFESSIONAL SERIES

## 24" COMBI MICROWAVE OVEN SO 24 PRO X

### FUNCTIONS



MICROWAVE



BROILER  
MICROWAVE



BROILER



CONVECTION  
BROILER



CONVECTION



CONVECTION  
MICROWAVE

### FEATURES

<b>Oven type</b>	combination electric convection and grill with microwave
<b>Oven grill type</b>	electric
<b>Oven controls</b>	digital programmer
<b>Inner oven door</b>	double glass
<b>Cooking modes</b>	6
<b>Microwave power levels</b>	0/200/400/600/800/1000 W
<b>Auto cooking modes</b>	13 preset
<b>Oven handle</b>	solid metal
<b>Oven door finishing</b>	stainless steel
<b>Cavity finishing</b>	stainless steel
<b>Convection system</b>	European ring heating element
<b>Oven levels</b>	2
<b>Tray</b>	1 glass turntable
<b>Grill trivet for trays</b>	yes

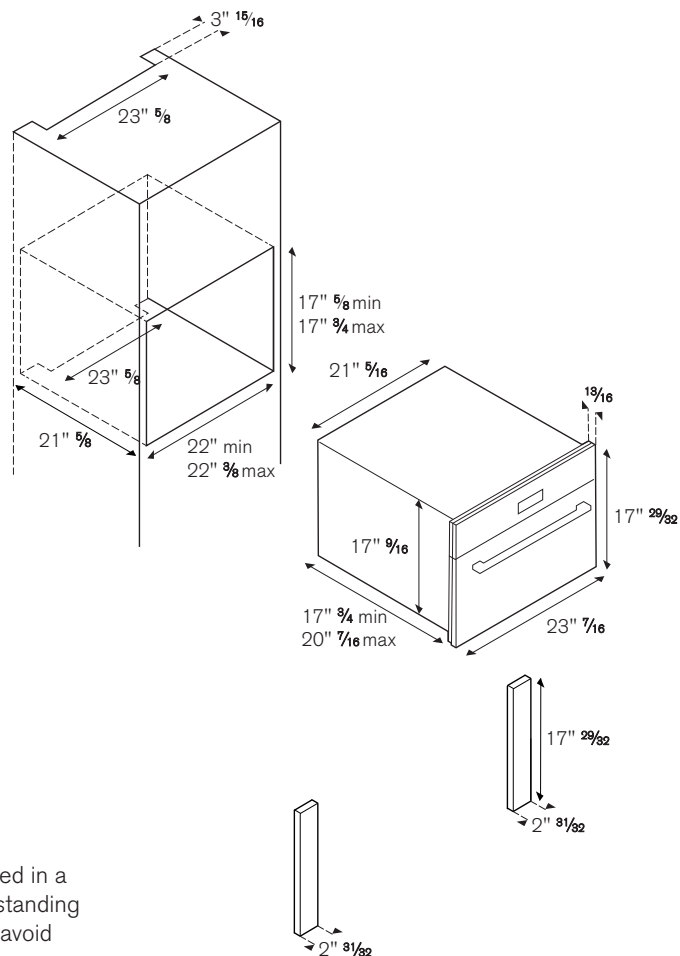
### TECHNICAL SPECIFICATIONS

<b>Voltage, frequency</b>	208-230 V/60Hz
<b>Oven volume</b>	1.34 ft <sup>3</sup>
<b>Max Amp Usage</b>	15 A – 3300 W
<b>Certification</b>	UL
<b>Warranty</b>	2 years parts and labor

### ACCESSORIES

**Installation with side trim panel** code TR30 PRO SO

Trim kit available as optional accessory in case of a 30" width installation.



### INSTALLATION INSTRUCTIONS

Bertazzoni recommends to operate the appliance after it has been installed in a cabinet. The kitchen cabinets shall be made of materials capable of withstanding temperatures at least 117°F (65°C) above room temperature in order to avoid possible damage to the cabinets during oven usage. For further installation instructions refer to the installation manual.