

---

# BERTAZZONI HERITAGE SERIES

## 48" CANOPY AND BASE HOOD

KC48 HER NE, K48 HER X/14

---

### HIGHLIGHTS

- Base assembly in stainless steel and canopy in matt color.
- 600 CFM max extraction power with one motor controlled by 3 speed settings.
- 2 halogen lights give exceptionally bright worktop illumination.

---

### FEATURES

<b>Hood finishing</b>	stainless steel and matt color
<b>Motor</b>	1
<b>Speed</b>	3
<b>Hood control</b>	electronic
<b>Halogen lights</b>	2
<b>Filters</b>	baffle stainless steel
<b>Max extraction power</b>	600 CFM

---

### TECHNICAL SPECIFICATIONS

<b>Voltage, Frequency</b>	120 V 60 Hz
<b>Max Amp usage, power rating</b>	3.3 A - 400 W
<b>Certification</b>	CSA
<b>Warranty</b>	2 years parts and labor

---

### ACCESSORIES

<b>Duct Extension Kit</b>	code 901363
<b>Recirculation Kit</b>	code 901395

Duct cover included



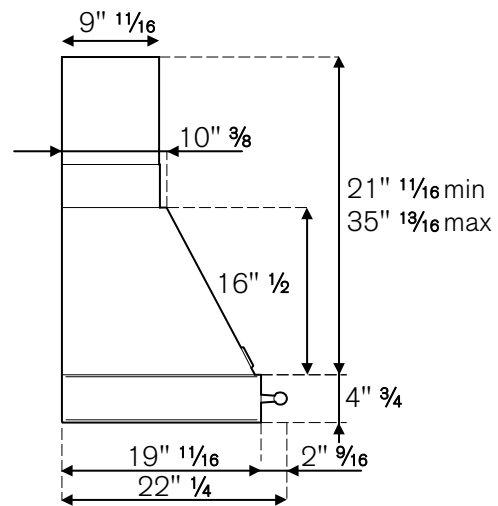
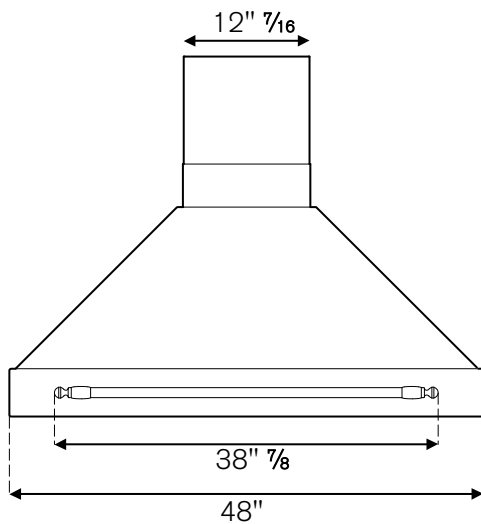
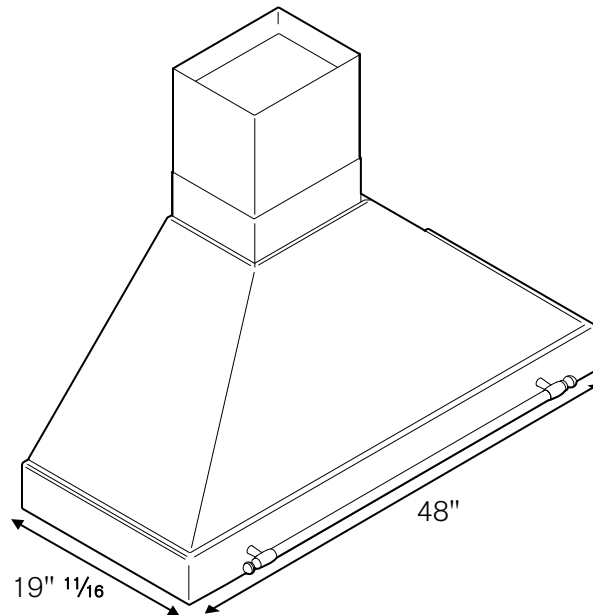
TO COOK BEAUTIFULLY  
WWW.BERTAZZONI.COM

---

# INSTALLATION INSTRUCTIONS

## KC48 HER NE, K48 HER X/14

---



---

Bertazzoni recommends to operate the appliance after it has been properly installed. Please refer to the installation manual for further details.

**Disclaimer:** while every effort has been made to insure the accuracy of the information contained in this brochure, Fratelli Bertazzoni reserves the right to change any part of the information at any time without notice.

Fratelli Bertazzoni, Bertazzoni and the winged wheel brand icon are registered trademarks of Bertazzoni Spa.