
BERTAZZONI HERITAGE SERIES

36" CANOPY AND BASE HOOD

KC36 HER NE, K36 HER X/14

HIGHLIGHTS

- Base assembly in stainless steel and canopy in matt color.
- 600 CFM max extraction power with one motor controlled by 3 speed settings.
- 2 halogen lights give exceptionally bright worktop illumination.

FEATURES

Hood finishing	stainless steel and matt color
Motor	1
Speed	3
Hood control	electronic
Halogen lights	2
Filters	baffle stainless steel
Max extraction power	600 CFM

TECHNICAL SPECIFICATIONS

Voltage, Frequency	120 V 60 Hz
Max Amp usage, power rating	3.3 A - 400 W
Certification	CSA
Warranty	2 years parts and labor

ACCESSORIES

Duct Extension Kit	code 901363
Recirculation Kit	code 901395

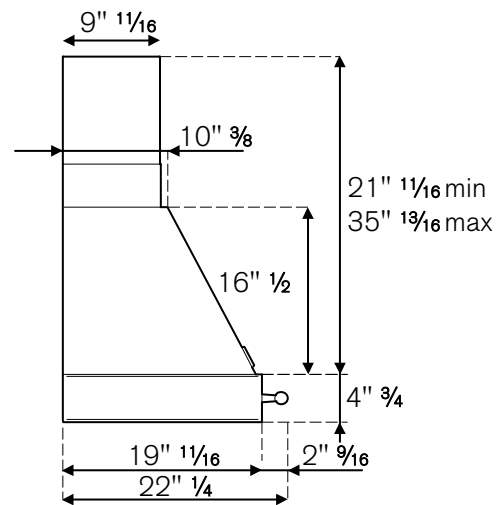
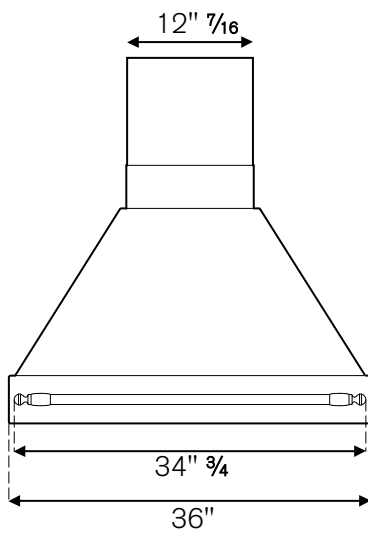
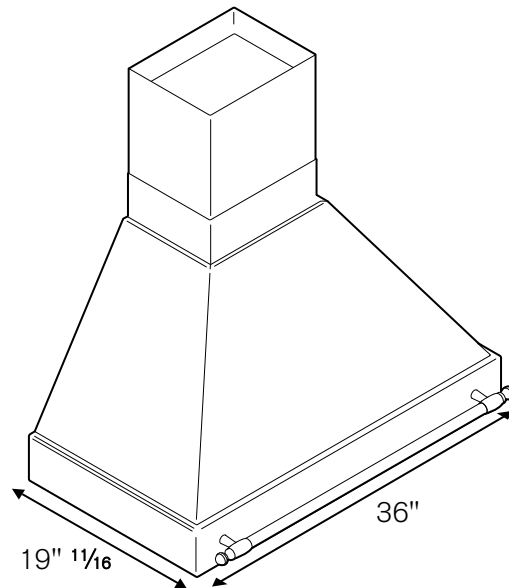
Duct cover included



TO COOK BEAUTIFULLY
WWW.BERTAZZONI.COM

INSTALLATION INSTRUCTIONS

KC36 HER NE, K36 HER X/14



Bertazzoni recommends to operate the appliance after it has been properly installed. Please refer to the installation manual for further details.

Disclaimer: while every effort has been made to insure the accuracy of the information contained in this brochure, Fratelli Bertazzoni reserves the right to change any part of the information at any time without notice.

Fratelli Bertazzoni, Bertazzoni and the winged wheel brand icon are registered trademarks of Bertazzoni Spa.