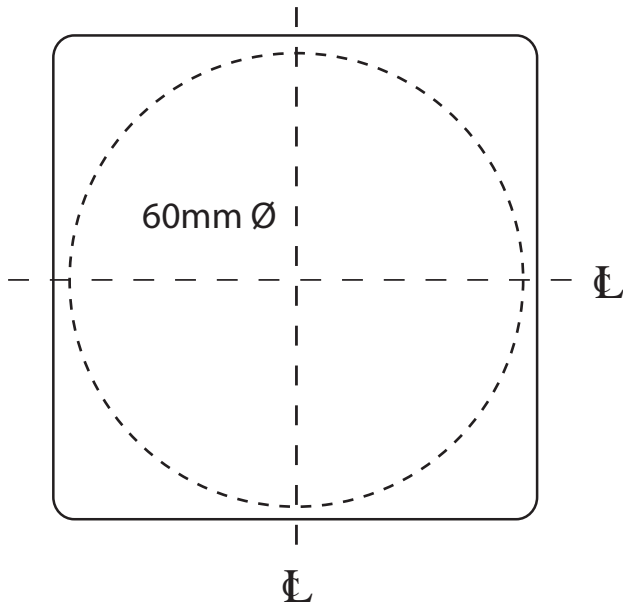
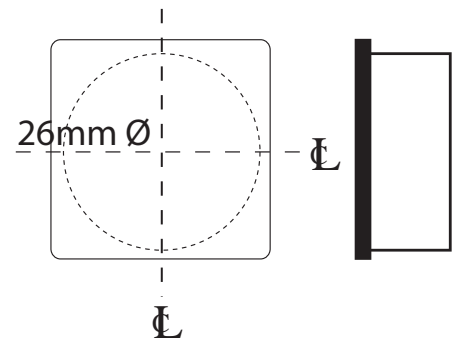


Back View

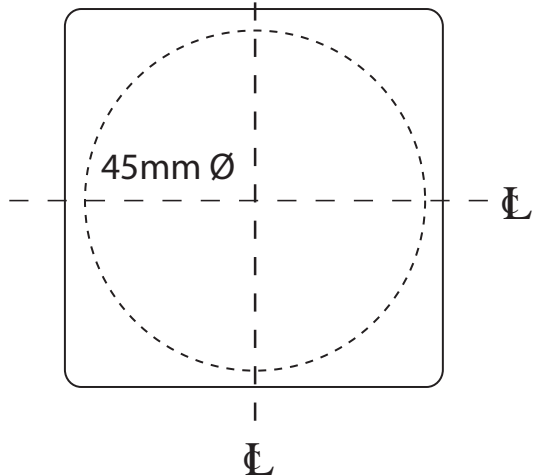
Side View



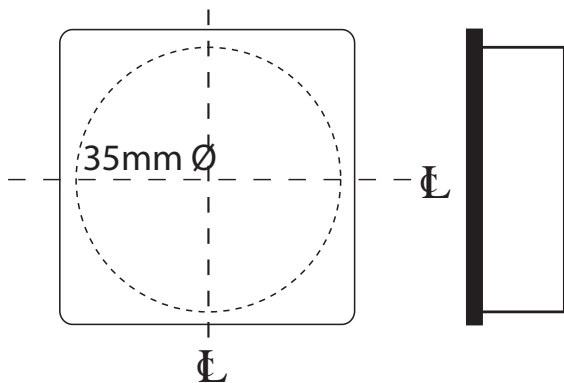
For Items 9324-1BPN-P, 9325-1026-P
and 9326-10DC-P
60 mm Dia. 11 mm deep bore



For Items 9333-1BPN-P,
9334-1026-P and 9335-10DC-P
26mm Dia. 11 mm deep bore



For Items 9327-1BPN-P, 9328-1026-P
and 9329-10DC-P
45mm Dia. 11 mm deep bore



For Items 9330-1BPN-P, 9331-1026-P
and 9332-10DC-P
35mm Dia. 11 mm deep bore

*Please note:
Check and do a test or dry fit with hardware
to make sure all dimensions are correct before
proceeding with production. Sizes and
specifications may change over time.*

Print with no scaling for 1:1 Scale