



MODEL #

COLOR #

4LRT

DESCRIPTION :

Round, heavy-duty, hollow core plastic lift for toilet seats (purchased separately). Provides 4" of additional height above rim once seat is installed. Features 300 Series stainless steel offset mounting bracket and hardware. Bracket allows for both lift and seat to be raised to a vertical position for cleaning.

SPECIFICATIONS :

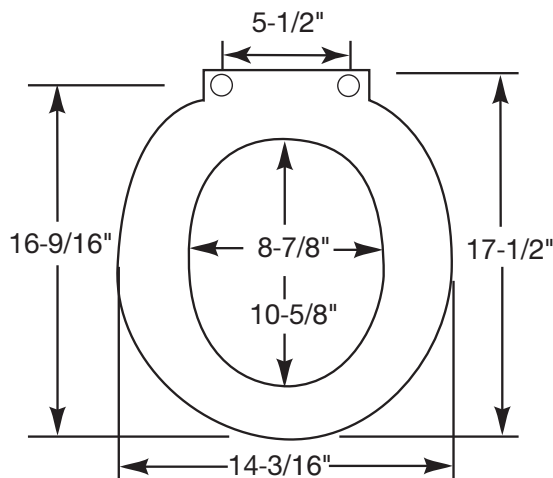
Size: Round
 Material: Plastic
 Style: Lift/Riser
 Bumpers: Four
 Hinges: Non-Corroding 300 Series Stainless Steel Mounting Bracket
 Fastening System: STA-TITE® Commercial Fastening System™

FEATURES :

Non-Corroding 300 Series Stainless Steel Mounting Bracket and Hardware
Provides 4" of Additional Height above Rim (When Seat Installed) *
STA-TITE® Commercial Fastening System™

* It is recommended that only residential toilet seats be installed.

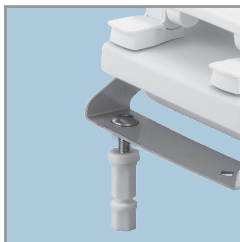
DIMENSIONS :



Thickness including bumper is 3"



**PROVIDES 4" OF
ADDITIONAL HEIGHT WHEN
SEAT IS INSTALLED**



**NON-CORRODING
300 SERIES SS MOUNTING
BRACKET AND HARDWARE**



**STA-TITE® COMMERCIAL
FASTENING SYSTEM™**