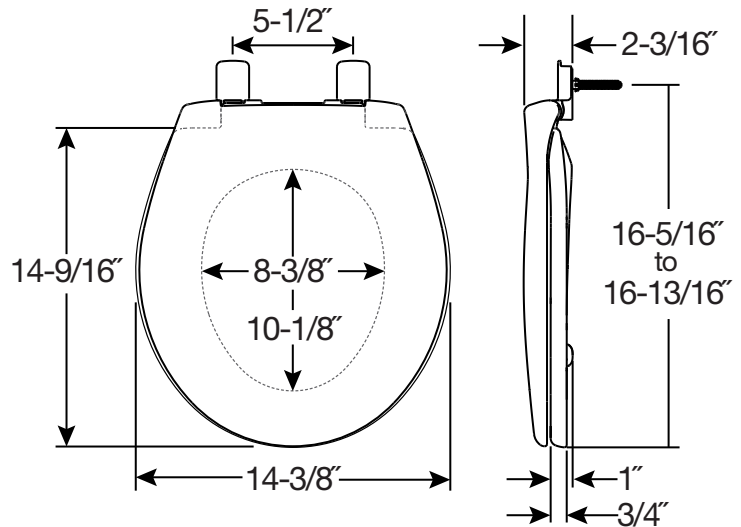




AFFINITY™ 200E4

RESIDENTIAL PLASTIC TOILET SEAT



FEATURES:

- **STA-TITE® Seat Fastening System™**
Never Loosens™
- **Easy•Clean & Change®**
Removes for cleaning
- **Whisper•Close®**
Slowly and quietly closes
- **Precision Seat Fit™**
1/2" front-to-back adjustability provides the perfect toilet fit
- **Super Grip Bumpers™**
Provides greater stability

SPECIFICATIONS:

- Size:** Round
- Material:** Plastic
- Style:** Closed Front with Cover
- Ring Bumpers:** Two
- Hinges:** Plastic
- Hardware:** STA-TITE® Seat Fastening System™

Codes & Standards:  Complies with IAPMO/ANSI Z124.5 Standards Residential Classification

