

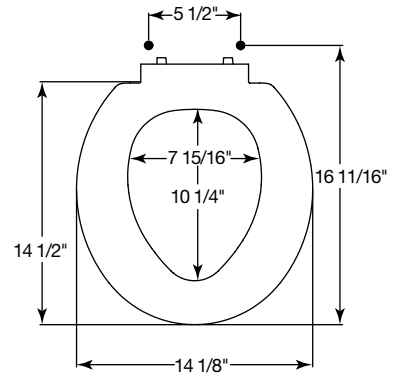


R E S I D E N T I A L P L A S T I C S E A T S



200SLOW

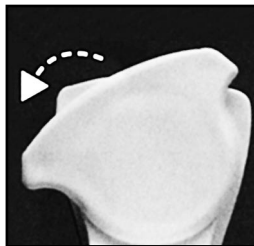
Seats shall be No. 200SLOW as manufactured by Bemis Manufacturing Co. Seats shall be heavy weight and injection molded of solid plastic. Seats shall be closed front with cover for **regular** bowl and feature large molded-in bumpers. Color matched hinges contain stainless steel pintles, non-corrosive top-tightening bolts, wing nuts, no-slip washers with Slow-Close™ and Lift-Off™ features. The “locked-in” hinge design prevents wobbling. The molded-in bumpers provide easy cleaning. Color to be _____. (Specify white or fixture manufacturer’s color.)



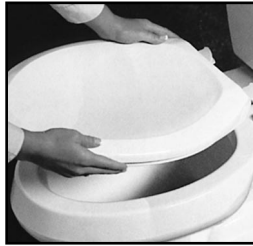
Ring thickness is 5/8"
Ring thickness including the bumper is 7/8"
Height of the seat with cover is 2 7/16"



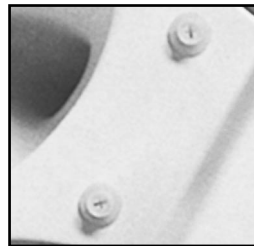
BOTH FEATURES INCORPORATED INTO ONE SEAT



TWIST HINGE TO RELEASE SEAT



LIFT-OFF™ FEATURE



EASY-2-CLEAN™ LIFT-OFF FEATURES EASY REMOVAL OF TOILET SEAT FOR THOROUGH CLEANING



SILENT SLOW-CLOSE™ FEATURE