

Tools Required (not included): Flathead screwdriver, Phillips screwdriver, Wire cutters, Electrical tape, Safety goggles, Ladder.
Helpful Tools (not included): Wire strippers
Bulb Recommended: (1) 60W Type-S medium base vintage-style bulb, Alternate (1) LED bulb.

Estimated Assembly Time: 20 - 30 minutes

Preparation:

- Identify and inspect all parts before beginning installation
- Check package contents list and diagrams below to be sure all parts are included.
- If any parts are missing or damaged, do not attempt to assemble, install or operate the fixture.

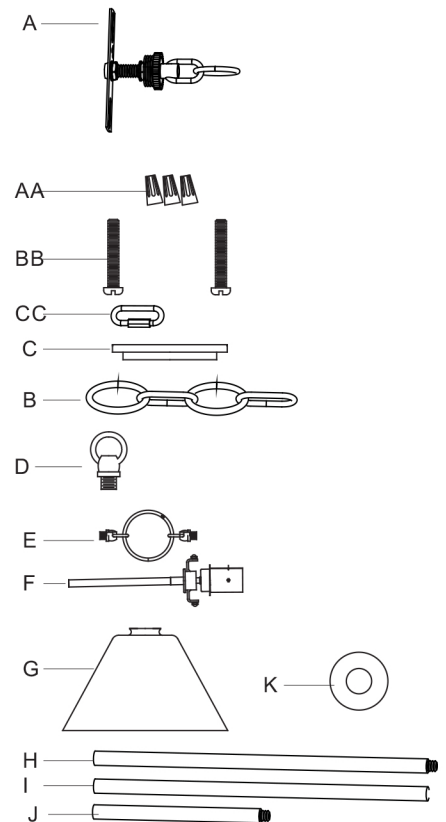


Warnings And Cautions

- Turn off electricity at circuit breaker or main fuse box before installation. Consult a licensed electrician if in doubt.
- These instructions are provided for your safety. It is very important you read them completely before installing fixture. We strongly recommend that a licensed, professional electrician perform the installation.
- Disconnect fixture from power source before replacing bulbs.
 - Make sure bulbs are given sufficient time to cool before removal.
 - Do not subject glass parts to any shock while in operation or shattering may result.

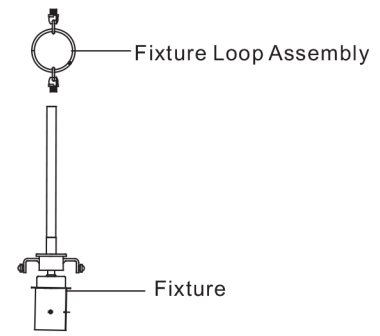
Package Contents

PART	DESCRIPTION	QUANTITY	Stock Part#
A	Crossbar Assembly	1 pc	914170KIT
AA	Wire Connector	3 pcs	
BB	Outlet Box Screw	2 pcs	
CC	Quick Link	2 pc	
C	Ceiling Canopy	1 pc	
B	Fixture Chain	1 pc	M381CHMK
D	Fixture Loop	1 pc	N/A
E	Fixture Loop Assembly	1 pc	
F	Fixture	1 pc	
G	Shade	1 pc	G14169SH
H	12" Rod with Nipple	1 pc	9012EXMK
I	12" Rod	1 pc	
J	6" Rod	2 pcs	9006EXMK
K	Washer	1 pc	N/A



STEP 1:

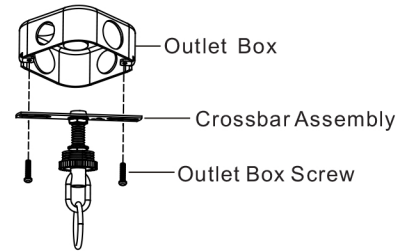
- a. Thread the fixture loop assembly onto the rod of the fixture. Hand-tighten until snug.



STEP 2:

- a. Secure the crossbar to the outlet box (not included) with outlet box screws.
- b. Tighten until snug.

Note: The preassembled mounting nipple on the crossbar should protrude outward.

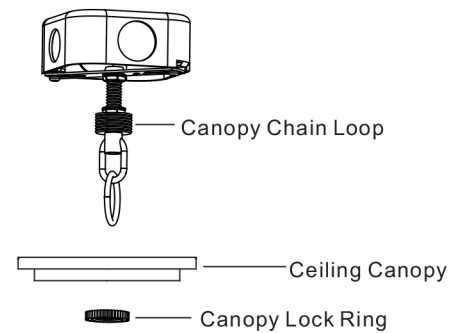


STEP 3:

- a. Remove the pre-assembled canopy lock ring from the crossbar assembly.
- b. Temporarily attach the ceiling canopy to the pre-assembled nipple on the crossbar assembly.
- c. Secure with canopy lock ring.

Note:

If the ceiling canopy is not snug against the ceiling, remove it from the crossbar assembly and adjust the length of the pre-assembled nipple by unscrewing the pre-assembled hex nut. Screw the nipple in or out of the crossbar until the correct length is achieved. Then, re-attach the ceiling canopy.



STEP 4:

- a. Choose desired hanging length for the light fixture.
- b. Assemble the necessary rods using the 6 inch rod(s) and/or 12 inch rod(s). Extra Fixture Chain might be required for higher ceiling.
- c. Pass supply wires and ground wires through the rod assembly.
- d. Attach the rod assembly, the fixture loop, the quick link to fixture. Hand-tighten until snug.

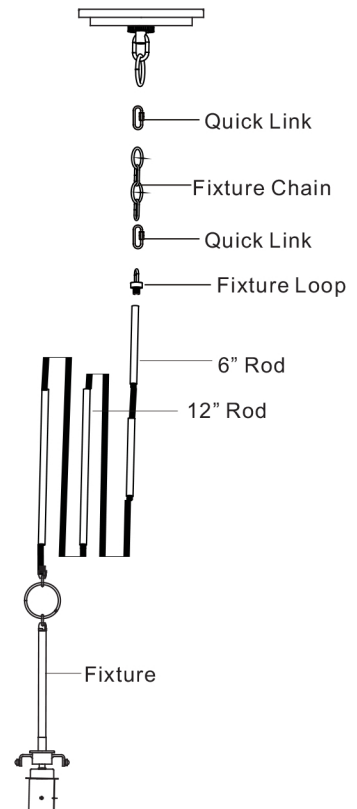
Hint:

- Assemble one rod at a time.
- Pass the ground wire through the rod first.
- Then, pass the supply wire through the rod.
- Thread the rod by hand until snug.
- Thread the fixture loop to the uppermost rod.
- Connect one end of the Fixture Chain to the canopy chain loop preassembled to Crossbar Assembly with one quick link.
- Connect the other end of the fixture chain to the fixture loop with the remaining Quick Link.

Suggested rod length to hang fixture 30 inches above table top:

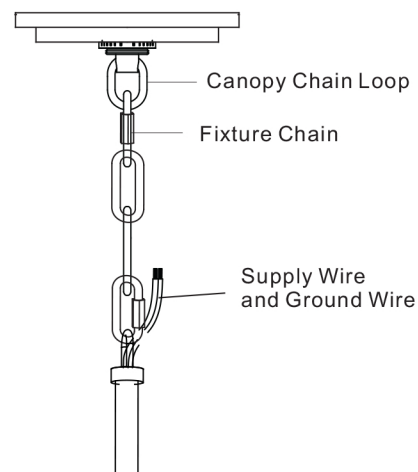
- 8 ft. Ceiling (1) 12 inch rods + 1 quick links
- 9 ft. ceiling (2) 12 inch rods + 1 quick links
- 10 ft. ceiling (2) 12 inch rods + (2) 6 inch rods + 1 quick links
- 11 ft. ceiling (2) 12 inch rods + (2) 6 inch rods + 12 inches of chain + 2 quick links
- 12 ft. ceiling (2) 12 inch rods + (2) 6 inch rods + 24 inches of chain + 2 quick links

Note: If mounting over an Island, subtract 6 inches from the lengths listed above.



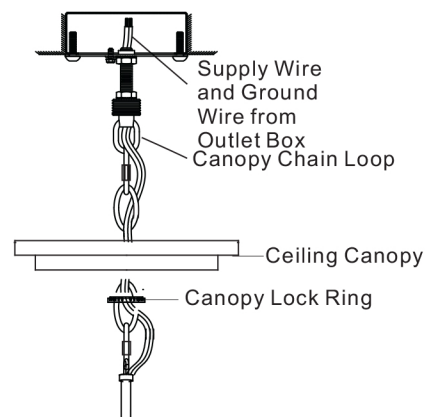
STEP 5:

- Confirm that the mounting height is acceptable. Refer to STEP 4 if changes are required.
Note: To make the next step easier, cut the supply wire and ground wire 24 inches longer than the distance from the fixture loop to the ceiling. Important: Please pay attention to the polarity (wires labels L & N) when cutting wires. Wire identification will be needed in STEP 7.
- Pull the Supply Wires and Ground Wire up through the Fixture Chain alternating links.
- Push the ends of the supply wires and ground wire up through the canopy chain loop and into the outlet box. The remaining slack wire will be pushed into the box in STEP 6.



STEP 6:

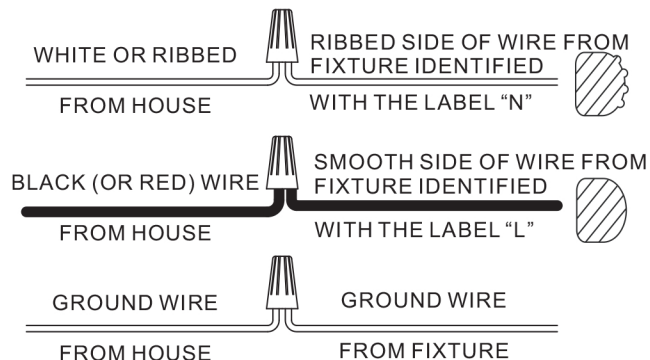
- Unthread the canopy lock ring.
- Slide canopy lock ring and ceiling canopy down the quick link.
- Push all slack fixture wire through canopy chain loop and into the outlet box.
- Trim excess fixture wire leaving a minimum of 6 inches hanging out of the outlet box.
- Separate the smooth side and ribbed side of the supply wire to about 3 inches from the end.
- Using wire strippers, strip each wire 1/2 inch from the end.



STEP 7:

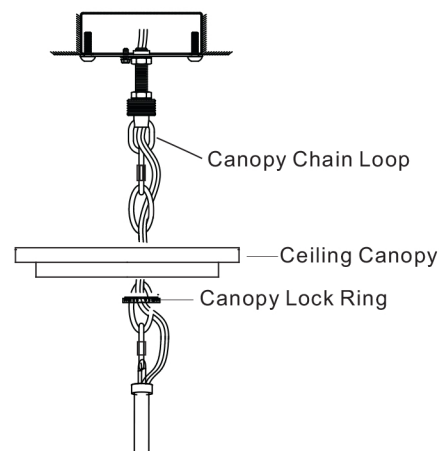
*** Use Wire Connectors (supplied) to connect the wires.**

- Connect the **house ground wire** to the **fixture ground wire**.
- Connect the **house white wire** to the **fixture supply wire (ribbed sided)** from fixture identified with the label "N".
- Connect the **house black (or red) wire** to the **fixture supply wire (smooth side)** from fixture identified with the label "L".
- Wrap each connection with approved electrical tape and carefully stuff all of the connected wires into the **outlet box**.



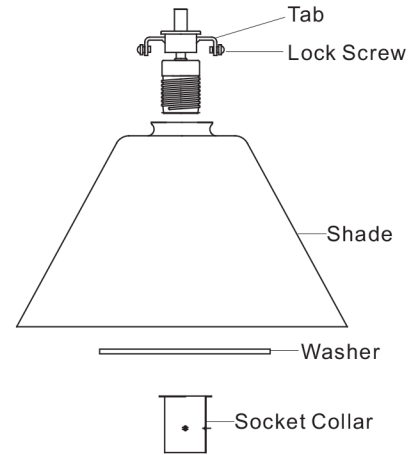
STEP 8:

- Attach the ceiling canopy back over the canopy chain loop.
- Secure with canopy lock ring.



STEP 9:

- a. Remove the socket collar and the lock screw from the fixture.
- b. Then place the shade and the washer over the socket on the fixture as shown.
- c. Secure by threading the socket collar onto the socket.
- d. Hand-tighten until snug.
- e. Thread lock screws onto the tab.
- f. Hand-tighten until snug

**STEP 10:**

- a. Install correct bulbs referring to fixture markings and/or labels for maximum wattage.

Your installation is completed now. Restore electricity. Retain this sheet for future reference.

CARE AND MAINTENANCE

Wipe clean using soft, dry cloth or static duster. Always avoid using harsh chemicals and abrasives to clean fixture as they may damage the finish.

TROUBLESHOOTING

PROBLEM	POSSIBLE CAUSE	CORRECTIVE ACTION
Bulbs will not light.	<ol style="list-style-type: none"> 1. Bulb is burned out. 2. Power is off. 3. Faulty wire connection. 4. Faulty switch. 	<ol style="list-style-type: none"> 1. Replace light bulb. 2. Make sure power supply is on. 3. Check wiring. 4. Test or replace the switch.
Fuse blows or the circuit breaker trips when light is turned on.	Crossed wires or power wire is grounding out.	Check wire connection.