

**Tools Required** (not included): Flathead screwdriver, Phillips screwdriver, Electrical tape, Safety goggles, Ladder.

**Bulb Recommended:**(3) Candelabra Base, Type T, 60W Maximum, Alternate (3) LED bulbs.

**Estimated Assembly Time:** 20 - 30 minutes

**Preparation:**

- Identify and inspect all parts before beginning installation
- Check package contents list and diagrams below to be sure all parts are included.
- If any parts are missing or damaged, do not attempt to assemble, install or operate the fixture.
- Contact **Quoizel Customer Service** for replacement parts.

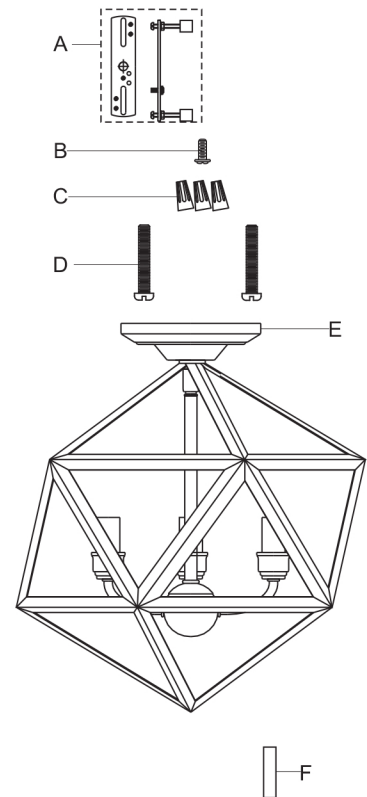


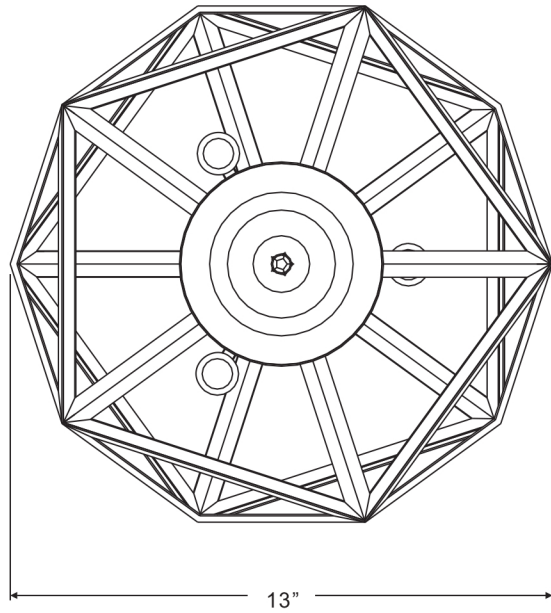
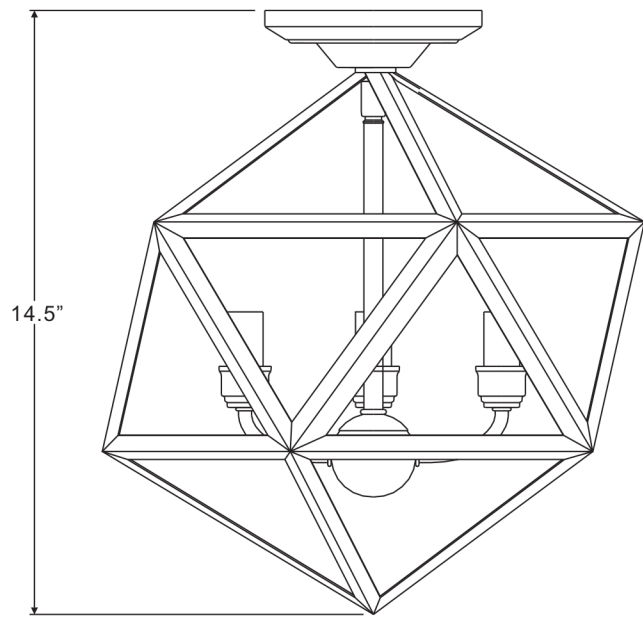
**Warnings And Cautions**

- Turn off electricity at circuit breaker or main fuse box before installation. Consult a licensed electrician if in doubt.
- These instructions are provided for your safety. It is very important you read them completely before installing fixture. We strongly recommend that a licensed, professional electrician perform the installation.
- Disconnect fixture from power source before replacing bulbs.
  - Make sure bulbs are given sufficient time to cool before removal.
  - Do not subject glass parts to any shock while in operation or shattering may result.

**Package Contents**

PART	DESCRIPTION	QUANTITY	Stock Part#
A	Crossbar Assembly	1 pc	913044KIT
B	Green Ground Screw (Pre-assembled to Crossbar)	1 pc	
C	Wire Connector	3 pcs	
D	Outlet Box Screw	2 pcs	
E	Fixture	1 pc	N/A
F	Candle cover (Pre-assembled to Socket Assembly)	3 pcs	M13045CCS29





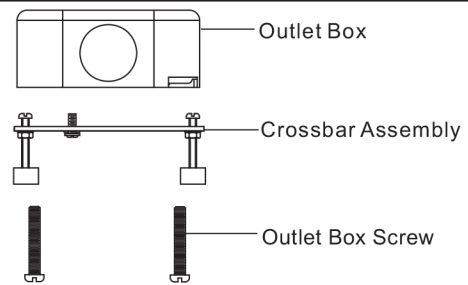
NOTE: ALL DIMENSIONS ARE ROUNDED UP TO THE NEAREST 1/2"

### STEP 1:

- Secure the crossbar to the outlet box (not included) with outlet box screws.
- Tighten until snug.

**Note:**

The preassembled mounting screws on the crossbar should protrude outward.

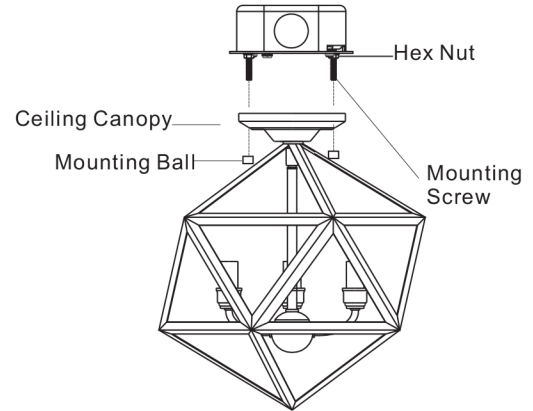


### STEP 2:

- Remove mounting balls from the crossbar assembly.
- Fit the ceiling canopy to the crossbar assembly and secure with mounting balls.

**Note:** The ceiling canopy should be snug against the ceiling and the mounting balls.

- If not, adjust the length of the mounting screws on the crossbar assembly by unscrewing the preassembled hex nuts.
- Then, screw the mounting screws in or out of the crossbar until the desired length is achieved.
- Once the ceiling canopy is secure, remove the mounting balls and ceiling canopy and proceed to Step 3.



### STEP 3:

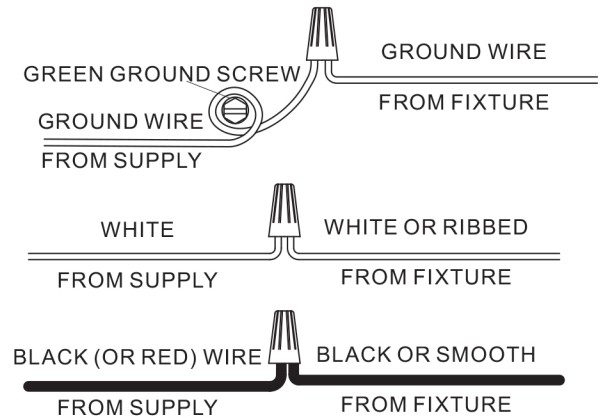
**\* Use Wire Connectors (supplied) to connect the wires.**

a) Ground Wire:

- Wrap supply **ground wire** around **green ground screw** on mounting bracket, no less than 2 in. from the end of the wire. Tighten **ground screw**.
- Connect fixture green **ground wire** to **supply ground wire** with wire connector.

b) Supply Wire:

- Connect the **supply white wire** to the **white fixture supply wire** with wire connector.
- Connect the **supply black (or red) wire** to the **black fixture supply wire** with wire connector.
- Wrap each connection with approved electrical tape and carefully stuff all of the connected wires into the outlet box.



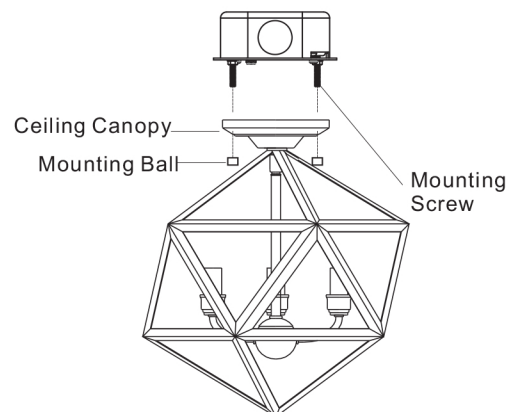
### STEP 4:

- Re-attach the ceiling canopy of the fixture body to the crossbar assembly.
- Secure with the previously removed mounting balls.

### STEP 5:

- Install correct bulbs referring to fixture markings and/or labels for maximum wattage.

Your installation is completed now. Restore electricity.  
Retain this sheet for future reference.



## CARE AND MAINTENANCE

Wipe clean using soft, dry cloth or static duster. Always avoid using harsh chemicals and abrasives to clean fixture as they may damage the finish.

## TROUBLESHOOTING

PROBLEM	POSSIBLE CAUSE	CORRECTIVE ACTION
Bulbs will not light.	<ol style="list-style-type: none"><li>1. Bulb is burned out.</li><li>2. Power is off.</li><li>3. Faulty wire connection.</li><li>4. Faulty switch.</li></ol>	<ol style="list-style-type: none"><li>1. Replace light bulb.</li><li>2. Make sure power supply is on.</li><li>3. Check wiring.</li><li>4. Test or replace the switch.</li></ol>
Fuse blows or the circuit breaker trips when light is turned on.	Crossed wires or power wire is grounding out.	Check wire connection.