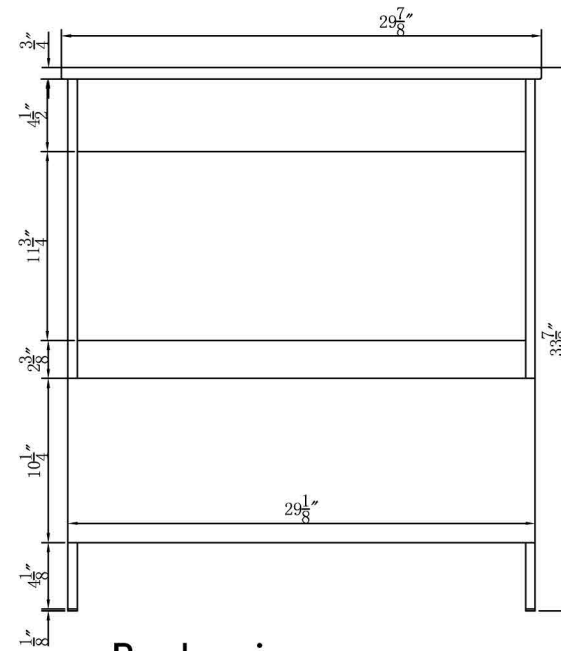
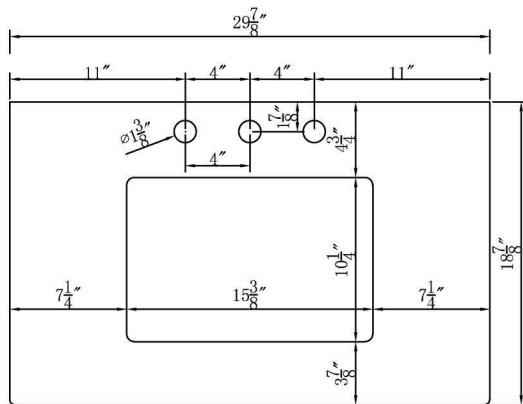


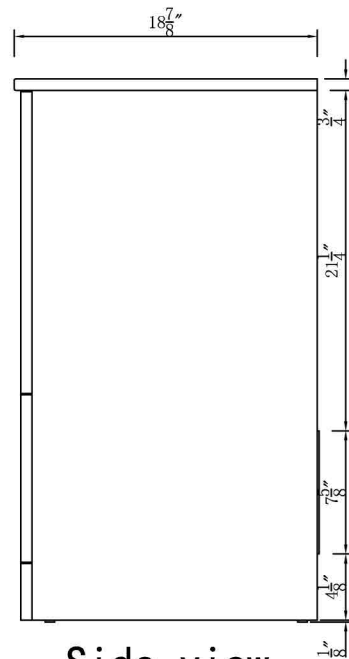
Front view



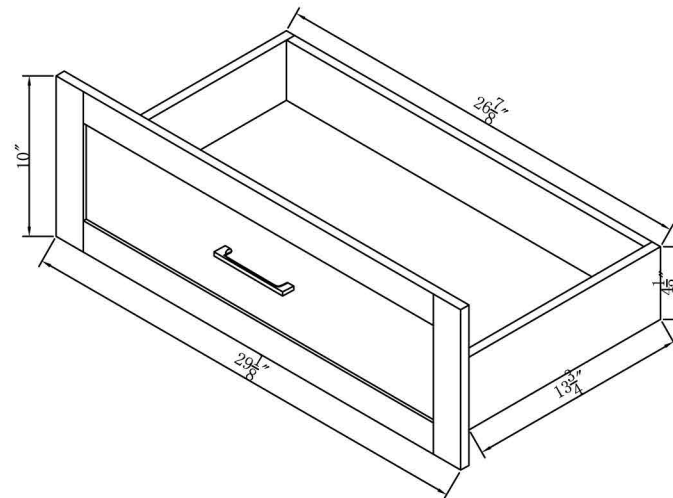
Back view



Top view



Side view



DWG. NO.:

MODEL NO.:

ALTERATIONS

1	
2	
3	
4	

FOR PROPOSAL ONLY ALL DIMENSIONS TO BE VERIFIED

SCALE:

DWG. BY:

CHECKED BY:

DATE:

PROJECT:

Qty:

Color:

DRAWING TITLE:

FINISH:

		Finish	Natural Oak	Mirror type	N/A	Beveled glass	N/A	Frame material	MDF
Solid wood construction	N/A	Drawers Included	Yes	Number of Drawers	1	Joinery Type	SQUARE ENDED BUTT JOINT	Drawer railing	Metal
Drawer Width (in)	29-1/4"	Drawer Depth (in)	14-3/8"	Drawer Height (in)	10"	Shelves	NO	Number of Shelves	0
Doors included	Yes	Number of Doors	2	Finished Back	Yes	Hardware finish	black	Assembly	NO
Countertop included	Yes	Countertop material	Engineering stone	Number of Sinks accommodated	1	Sink material	Porcelain	Sink Width	15-3/8"
Sink Depth	10-1/4"	Sink height	8-1/4"	Sink hole size	1-3/4"	Mounting type	Free Standing	Backsplash	No
Backsplash Width	N/A	Backsplash Depth	N/A	Backsplash Height	N/A	Drain assembly included	NO	Faucet included	NO
Faucet type	NO	Faucet hole size	1.38	Faucet hole spacing	8"3 Holes	Product Width	30	Product Depth	19
Product Height	88	Package LENGTH (inches)	37"	Package WIDTH (inches)	23-1/4"	Package Height (inches)	38-1/4"	Package Weight (lbs)	99
Product Weight	74.4	Shipment Type	small parcel	Table/Desk: top width	19"	Table/Desk top finish	Ivory	glass top tempered	N/A
table top maximum weight	41 lbs	Table: seating capacity	1	upholstery color	N/A	upholstery pattern	N/A	cushion material	N/A
base finish	Natural Oak	powder coated finish	NO	base material	MDF	top material	Engineering stone	wood species	N/A
tip over restraint strap	NO	shape of top	Rectangle	lift top	NO	shelf material	N/A	adjustable shelves	NO
Handle designs	Rectangle Knobs	safety stop	NO	felt lined drawers	NO	drawer glide extension	Full extension	drawer glide material	Metal
drawer dividers	N/A	Drawer Interior finish	Natural Oak	Ball Bearing Glides	NO	soft close drawer glides	yes	Number of cabinets	1
shelf width (in)	N/A	shelf depth (in)	N/A	shelf height (in)	N/A	Shelf thickness	N/A	Any certification? (CARB/TSCA VI)	YES
California Proposition 65 warning required	YES	Drawer Interior Width (in)	26-7/8"	Drawer Interior Depth (in)	13-3/4"	Drawers Interior Height (in)	4-1/2"	cabinet interior width	28-1/4"
cabinet interior depth	16-1/2"	cabinet interior height	17-3/4"	leg width	N/A	leg depth	N/A	leg height	N/A
gloss finish	NO	stackable	NO	leg design	N/A	Armoires: ring slots	NO	Armoires: hooks	NO
armoires: mirror dimensions	NO	door thickness	0.71"	false drawers?	NO	Vanity countertop edge style	FLAT	# of faucet holes	3

DWG. NO.

MODEL NO:

SPEC NO:

QUANTITY:

DATE:

CHECKED BY:

FOR PROPOSAL ONLY ALL DIMENSIONS TO BE VERIFIED

PROJECT:

COLOR:

FINISH:

REVISIONS

①

②

③

④

⑤

⑥

BELLEVUE