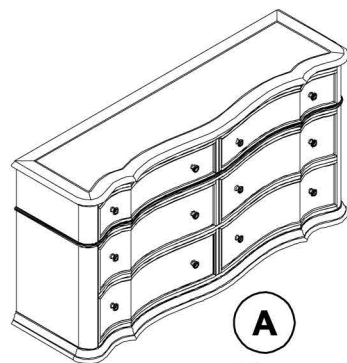
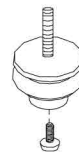


DESCRIPTION/ LA DESCRIPTION/ DESCRIPCIÓN: Dresser/ Commode/ Tocador
MIRROR/ Miroir/ Espejo

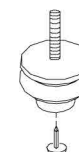
A

x1 Dresser
x1 Commode
x1 Tocador



B

x2 Bun Foot (Front) *
x2 Pied en forme d'oignon (Avant)
x2 Pata redonda (Delantera)



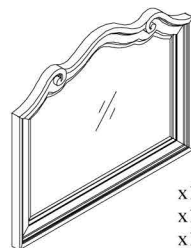
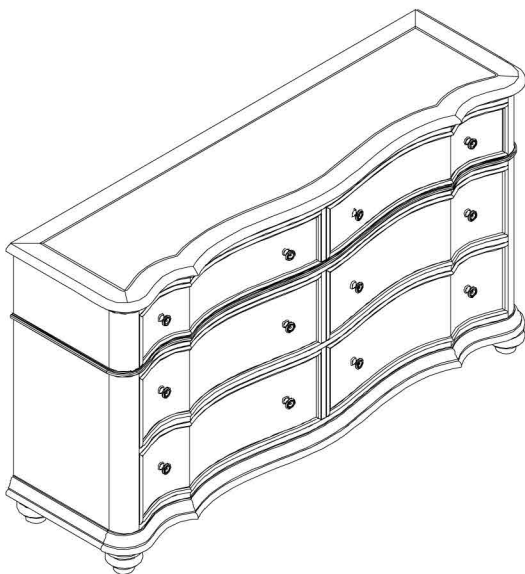
C

x2 Bun Foot (Back) *
x2 Pied en forme d'oignon (Arrière)
x2 Pata redonda (Trasera)



D

x1 Center leg *
x1 Pattes centrales
x1 Patas centrales



E

x1 Landscape Mirror
x1 Miroir horizontal
x1 Espejo horizontal



F

x2 Mirror Support *
x2 Supporte de miroir
x2 Soporte del espejo



G

x1 Tipping restraint *
x1 Liste des pièces de quincaillerie antibasculement
x1 Abrazadera antivuelco



H

x1 Allen Key 4mm *
x1 Clé hexagonale 4mm
x1 Llave Allen 4mm



I

x8 Allen bolt $\text{Ø}1/4'' \times 1-1/2''$ *
x8 Vis à tête creuse hexagonale $\text{Ø}1/4'' \times 1-1/2$
x8 Perno Allen $\text{Ø}1/4'' \times 1-1/2$



J

x8 Lock washer $\text{Ø}1/4'' \times \text{Ø}12 \times 3\text{mm}$ *
x8 Rondelle de blocage $\text{Ø}1/4'' \times \text{Ø}12 \times 3\text{mm}$
x8 Arandela de Seguridad $\text{Ø}1/4'' \times \text{Ø}12 \times 3\text{mm}$



K

x8 Flat Washer $\text{Ø}1/4'' \times 19 \times 2\text{mm}$ *
x8 Rondelle plate $\text{Ø}1/4'' \times 19 \times 2\text{mm}$
x8 Arandela plana $\text{Ø}1/4'' \times 19 \times 2\text{mm}$

*Replaceable Part

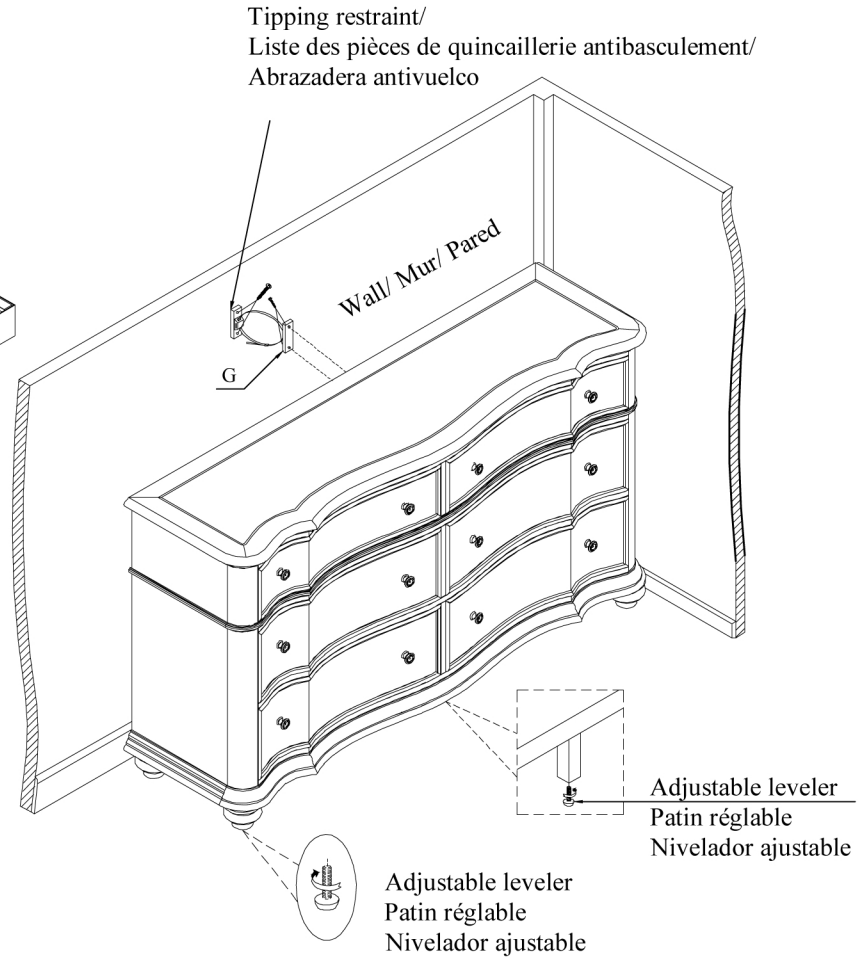
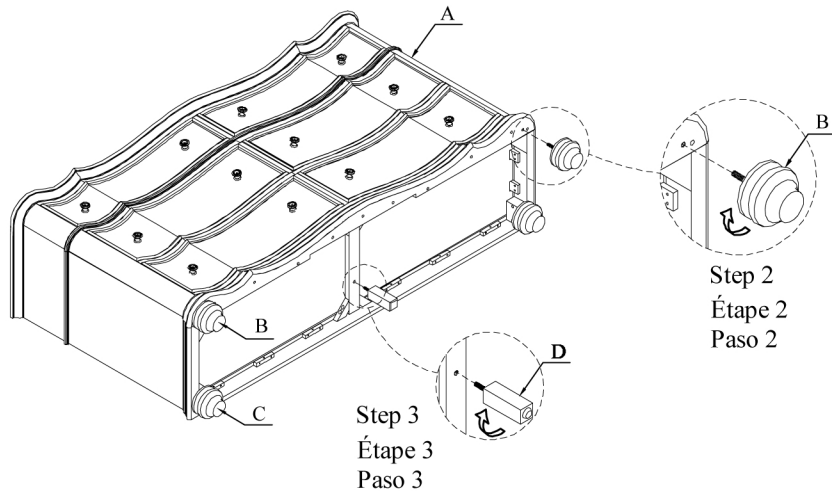
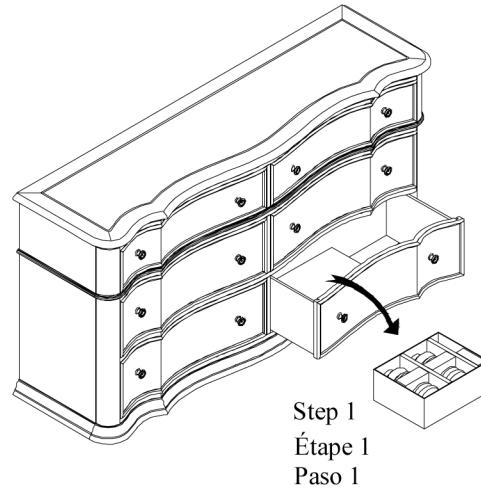
DESCRIPTION/ LA DESCRIPTION/ DESCRIPCIÓN: Dresser/ Commode/ Tocador
 Mirror/ Miroir/ Espejo

WARNING

Children have died from furniture tipover. To reduce the risk of furniture tipover :

- ALWAYS install tipover restraint provided.
- NEVER put a TV on this product.
- NEVER allow children to stand, climb or hang on drawers, doors, or shelves.
- NEVER open more than one drawer at a time.
- Place heaviest items in the lowest drawers.

This is a permanent label. Do not remove!



*Replaceable Part

DESCRIPTION/ LA DESCRIPTION/ DESCRIPCIÓN: Dresser/ Commode/ Tocador
Mirror/ Miroir/ Espejo

WARNING

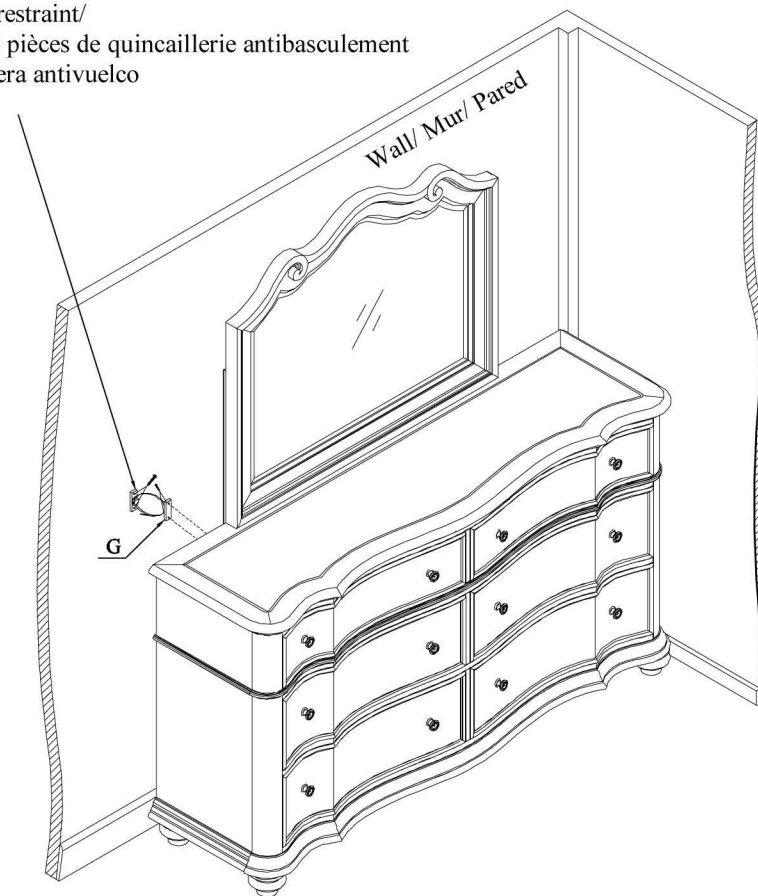
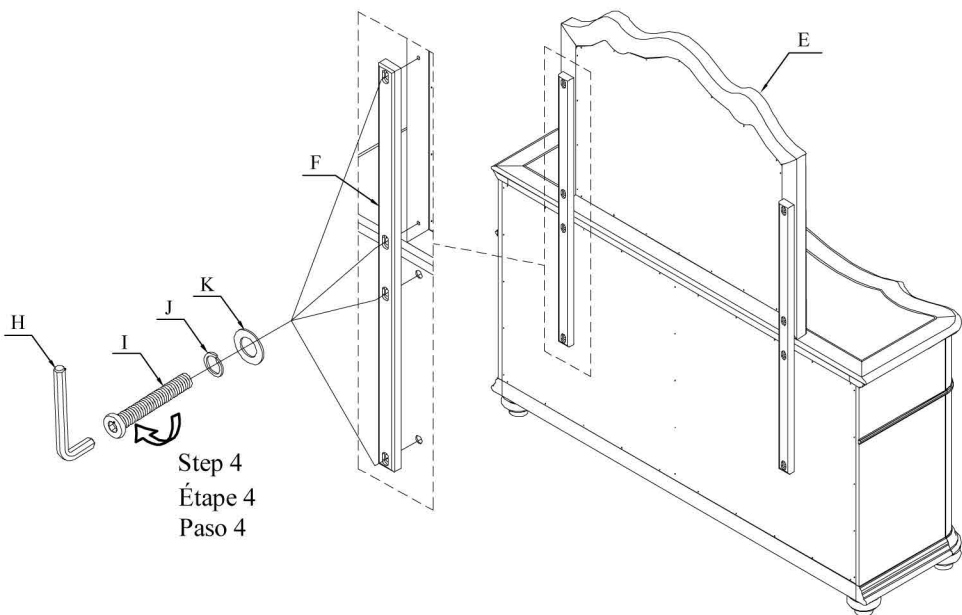
Children have died from furniture tipover. To reduce the risk of furniture tipover :

- ALWAYS install tipover restraint provided.
- NEVER put a TV on this product.
- NEVER allow children to stand, climb or hang on drawers, doors, or shelves.
- NEVER open more than one drawer at a time.
- Place heaviest items in the lowest drawers.

This is a permanent label. Do not remove!

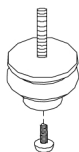
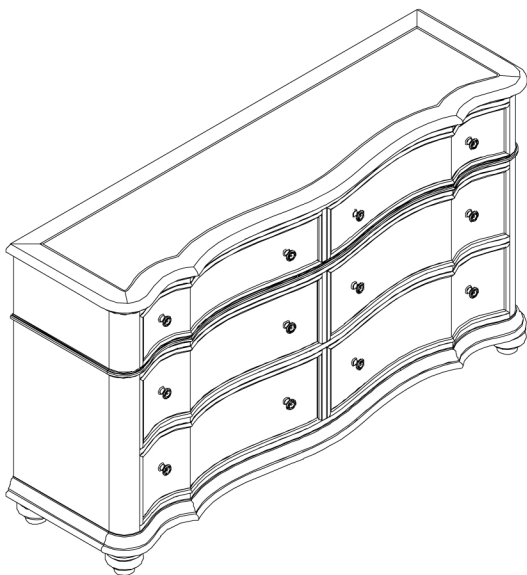


Tipping restraint/
Liste des pièces de quincaillerie antibasculement
Abrazadera antivuelco

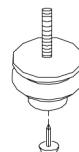


*Replaceable Part

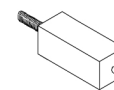
DESCRIPTION/ LA DESCRIPTION/ DESCRIPCIÓN: Dresser/ Commode/ Tocador
Mirror/ Miroir/ Espejo



RP293100-FOOTF *
x2 Bun Foot (Front)
x2 Pied en forme d'oignon (Avant)
x2 Pata redonda (Delantera)



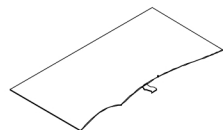
RP293100-FOOTB *
x2 Bun Foot (Back)
x2 Pied en forme d'oignon (Arrière)
x2 Pata redonda (Trasera)



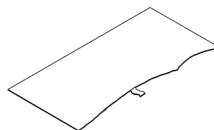
RP293100-CELEG *
x1 Center Leg
x1 Pattes centrales
x1 Patas centrales



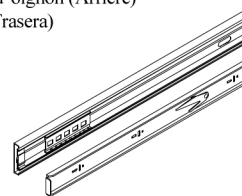
RP293110-MISU *
x2 Mirror Support
x2 Supporte de miroir
x2 Soporte del espejo



RP293100-FELTL *
x1 Left Removable Felt
x1 Gauche Feutre
x1 Izquierda Fieltro



RP293100-FELTR *
x1 Right Removable Felt
x1 Droite Feutre
x1 Derecha Fieltro



COMGLIDE-12-45 *
x6 Common Drawer Glide
x6 Glissière
x6 Carril de deslizamiento



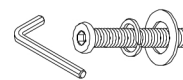
RP293-KNOBL *
x12 Large Knob with Screw
x12 Gros POIGNÉE et vis
x12 TIRADOR grande y Tornillo



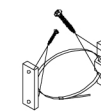
RC-FG-WHITE *
x3 Common Adjustable Leveler
x3 Patin réglable
x3 Nivelador ajustable



RC-WH-NAIL *
x2 Plastic Nail
x2 Clou
x2 Clavo



RP293110-HWKIT *
x1 Hardware Kit
x1 Liste des pièces de quincaillerie
x1 Lista del kit de materiales



RC-ANTI-TIP *
x1 Anti-tipping Restraint
x1 Liste des pièces de quincaillerie antibasculament
x1 Lista del kit de materiales antivuelco

*Replaceable Part