

# PARTS LIST / LISTE DES PIÈCES / LISTA DE PIEZAS

DESCRIPTION / DESCRIPTION: DRESSER / COMMODE / TOCADOR  
MIRROR / MIROIR / ESPEJO

## WARNING



**Children have died from furniture tipover. To reduce the risk of furniture tipover:**

- ALWAYS install tipover restraint provided.
- NEVER put a TV on this product.
- NEVER allow children to stand, climb or hang on drawers, doors, or shelves.
- NEVER open more than one drawer at a time.
- PLACE heaviest items in the lowest drawers.



This is a permanent label.  
Do not remove!



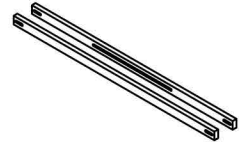
**A**

x1 Dresser  
x1 Commode  
x1 Tocador



**B**

x1 Mirror  
x1 Miroir  
x1 Espejo



**C**

x2 Mirror Support \*  
x2 Supporte de miroir  
x2 Soporte del espejo



**D**

x1 Furniture Tipping Restraint \*  
x1 Systeme antibasculément  
x1 Control para evitar vulcos



**1**

x8 Allen bolt  $\varnothing 1/4"$ x18 x32mm \*  
x8 Vis à tête creuse hexagonale  $\varnothing 1/4"$ x18x32mm"  
x8 Perno Allen  $\varnothing 1/4"$ x18x32mm



**2**

x8 Lock washer  $\varnothing 1/4"$  \*  
x8 Rondelle de blocage  $\varnothing 1/4"$   
x8 Arandela de Seguridad  $\varnothing 1/4"$



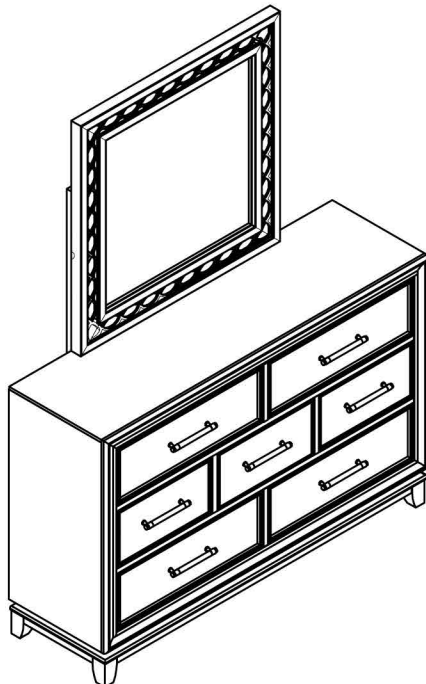
**3**

x8 Flat Washer  $\varnothing 1/4"$ x19x1.5mm \*  
x8 Rondelle plate  $\varnothing 1/4"$ x19x1.5mm  
x8 Arandela plana  $\varnothing 1/4"$ x19x1.5mm



**4**

x1 Allen Key 4mm \*  
x1 Clé hexagonale 4mm  
x1 Llave Allen 4mm



\* Replaceable Part

# ASSEMBLY INSTRUCTIONS / NOTICE DE MONTAGE / INSTRUCCIONES DE MONTAJE

DESCRIPTION / DESCRIPCIÓN: DRESSER / COMMODE / TOCADOR  
MIRROR / MIROIR / ESPEJO

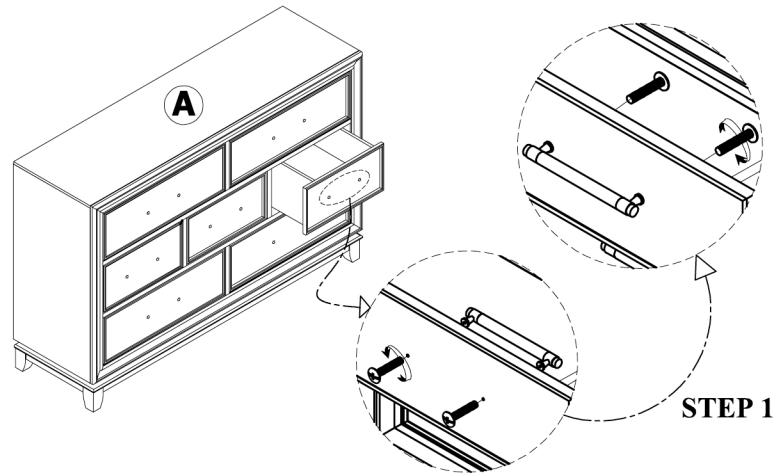
## WARNING



**Children have died from furniture tipover. To reduce the risk of furniture tipover:**

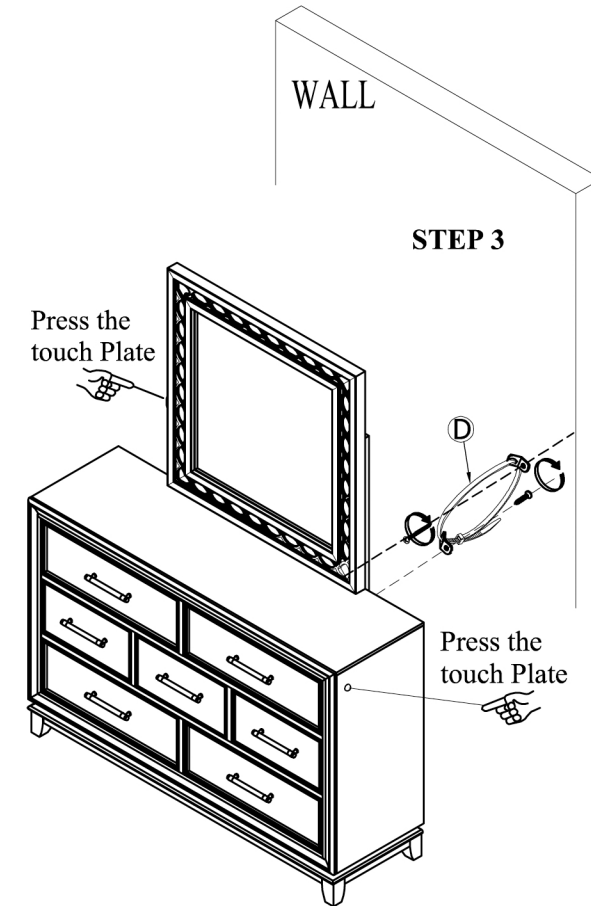
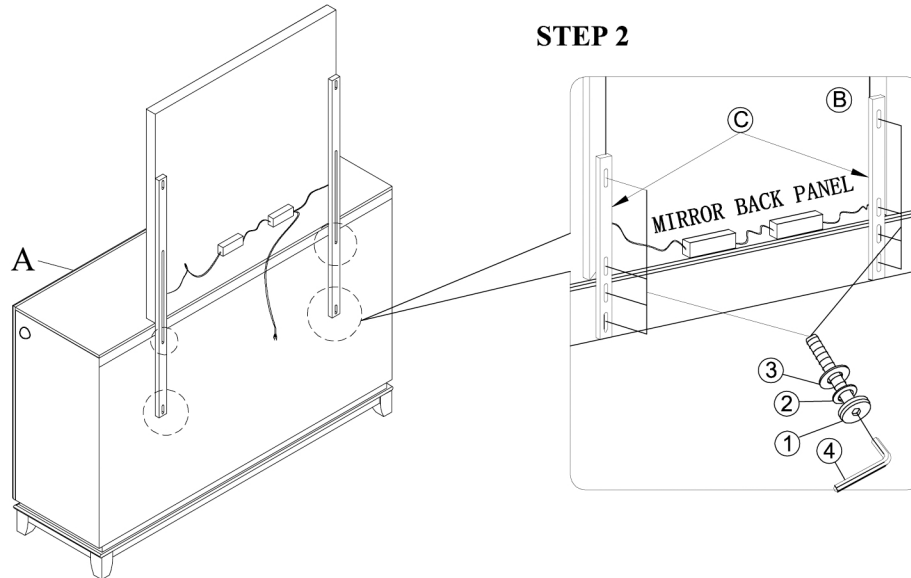
- ALWAYS install tipover restraint provided.
- NEVER put a TV on this product.
- NEVER allow children to stand, climb or hang on drawers, doors, or shelves.
- NEVER open more than one drawer at a time.
- PLACE heaviest items in the lowest drawers.

This is a permanent label.  
Do not remove!



STEP 1

STEP 2



STEP 3

Press the touch Plate

Press the touch Plate

\* Replaceable Part

# REPLACEABLE PART / PARTIE REMPLAÇABLE / PARTE REEMPLAZABLE

DESCRIPTION / DESCRIPCIÓN: DRESSER / COMMODE / TOCADOR  
MIRROR / MIROIR / ESPEJO

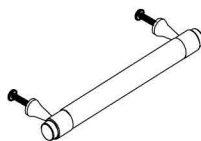
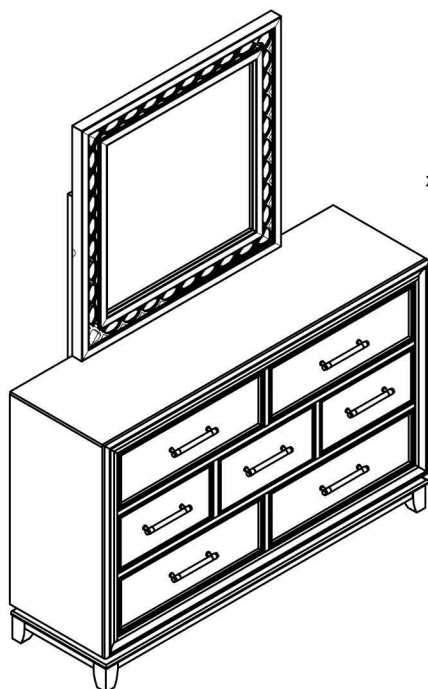
## WARNING



**Children have died from furniture tipover. To reduce the risk of furniture tipover:**

- ALWAYS install tipover restraint provided.
- NEVER put a TV on this product.
- NEVER allow children to stand, climb or hang on drawers, doors, or shelves.
- NEVER open more than one drawer at a time.
- PLACE heaviest items in the lowest drawers.

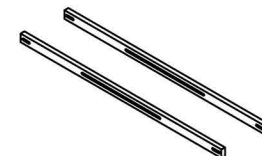
This is a permanent label.  
Do not remove!



x7 RS808-010-PULL- Pull+ Screw \*  
Poignée + vis  
Tirador + Tornillo



x7 COMGLIDE-12-45-Common Glide 12in-45mm \*  
Tiroir Glide  
Deslizamiento del cajón



x2 RS808-030-MISU- Mirror Support \*  
Supporte de miroir  
Soporte del espejo



x1 RC-ANTI-TIP- Anti-tipping restraint  
Liste des pièces de quincaillerie antibasculement  
Lista del kit de materiales antivuelco



x1 RS808-030-HWKIT-Hardware kit list  
Liste des pièces de quincaillerie  
Lista del kit de materiales



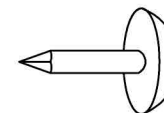
x1 RS808-010-CELEG- Center support leg  
Support central  
Soporte para la pata central



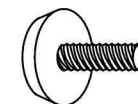
x1 RS808-030-LIGHT-Light  
Luminaire  
Lámpara



x1 RS808-010-LIGHT-Light  
Luminaire  
Lámpara



x4 RC-WH-NAIL- White plastic nail  
Clou en plastique  
Clavo de plástico



x1 RC-FG-WHITE- White leveler  
Patin réglable  
Nivelador ajustable

\* Replaceable Part