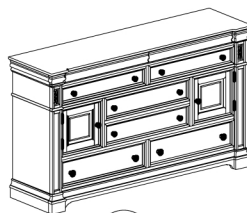
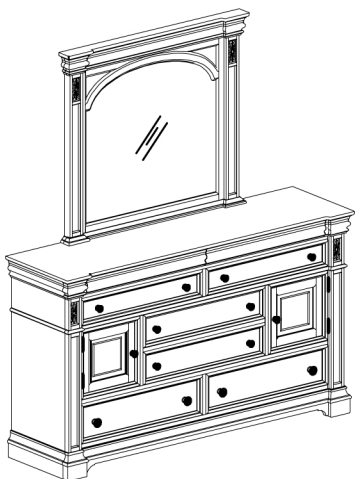


DESCRIPTION / DESCRIPCIÓN : DRESSER / COMMODE / TOCADOR  
MIRROR / MIROIR / ESPEJO**WARNING**

**Serious or fatal crushing injuries can occur from furniture tip-over. To help prevent tip-over:**

- install tipover restraint provided.
- Place heaviest items in the lowest drawers.
- Do not set TV's or other heavy objects on top of this product unless the product is specifically designed to accommodate them.
- Never allow children to climb or hang on drawers, doors, or shelves.
- Never open more than one drawers at a time (OR)
- Do not defeat or remove the drawers interlock system.

**Use of tip-over restraints may only reduce, but not eliminate, the risk of tip-over. this is a permanent label. Do not remove!**

**A**

x1 Dresser  
x1 Commode  
x1 Tocador

**C**

x2 Mirror Support \*  
x2 Supporte de miroir  
x2 Soporte del espejo

**E**

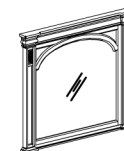
x8 Allen Bolt Ø1/4" x 40mm \*  
x8 Vis à tête creuse hexagonale Ø1/4 " x 40mm  
x8 Perno Allen Ø1/4 " x 40mm

**F**

x8 Lock Washer Ø1/4" \*  
x8 Rondelle de blocage Ø1/4 "  
x8 Arandela de seguridad Ø1/4 "

**B**

x1 Furniture Tipping Restraint  
x1 Systeme antibasculement  
x1 Control para evitar vulcos

**D**

x1 Mirror  
x1 Miroir  
x1 Espejo

**G**

x8 Flat Washer Ø1/4" \*  
x8 Rondelle de plate Ø1/4 "  
x8 Arandela plana Ø1/4 "

**H**

x1 Allen Key 4mm \*  
x1 Clé hexagonale 4mm  
x1 Llave allen 4mm

\* Replaceable Part

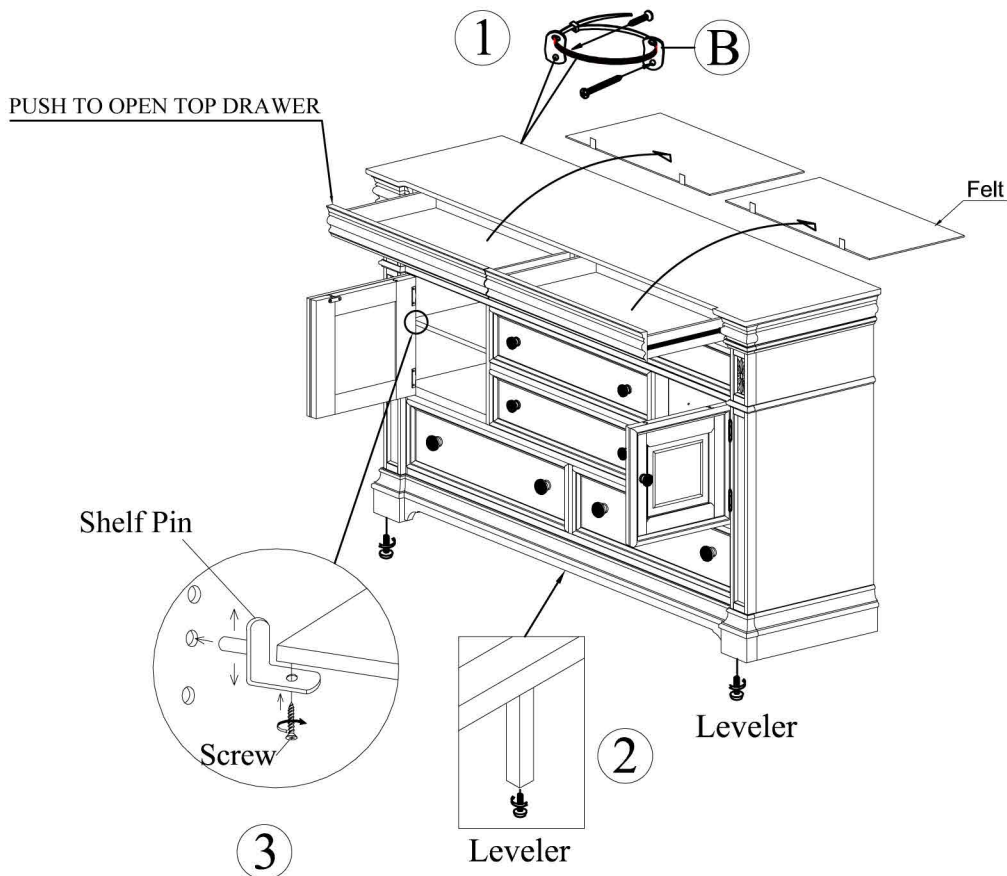
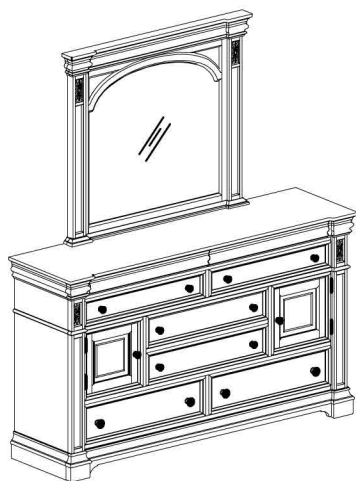
DESCRIPTION / DESCRIPCIÓN : DRESSER / COMMODE / TOCADOR  
MIRROR / MIROIR / ESPEJO

**⚠ WARNING**

Serious or fatal crushing injuries can occur from furniture tip-over. To help prevent tip-over:

- install tipover restraint provided.
- Place heaviest items in the lowest drawers.
- Do not set TV's or other heavy objects on top of this product unless the product is specifically designed to accommodate them.
- Never allow children to climb or hang on drawers, doors, or shelves.
- Never open more than one drawers at a time (OR)
- Do not defeat or remove the drawers interlock system.

Use of tip-over restraints may only reduce, but not eliminate, the risk of tip-over. this is a permanent label. Do not remove!



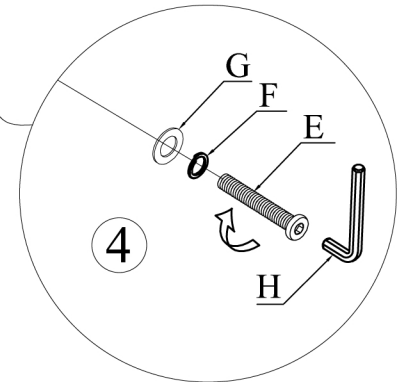
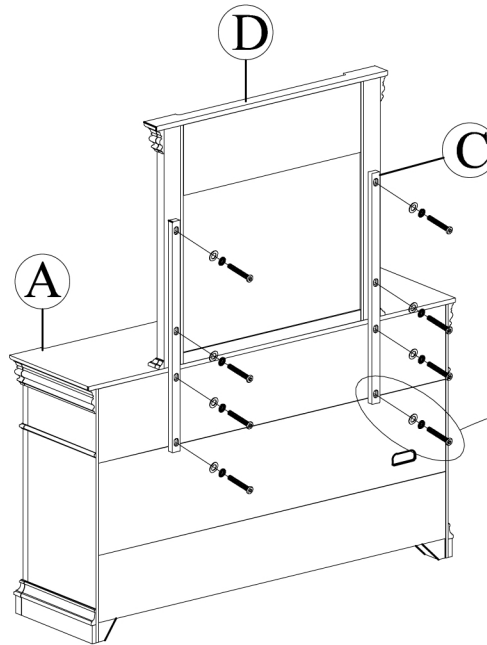
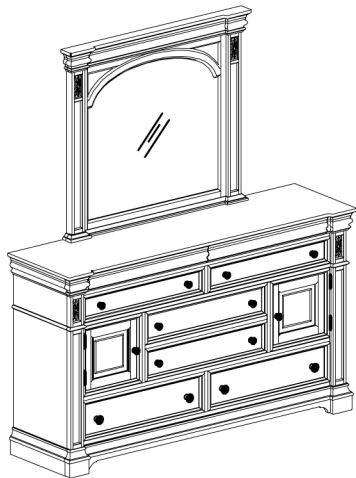
DESCRIPTION / DESCRIPCIÓN : DRESSER / COMMODE / TOCADOR  
MIRROR / MIROIR / ESPEJO

**▲ WARNING**

Serious or fatal crushing injuries can occur from furniture tip-over. To help prevent tip-over:

- install tipover restraint provided.
- Place heaviest items in the lowest drawers.
- Do not set TV's or other heavy objects on top of this product unless the product is specifically designed to accommodate them.
- Never allow children to climb or hang on drawers, doors, or shelves.
- Never open more than one drawers at a time (OR)
- Do not defeat or remove the drawers interlock system.

Use of tip-over restraints may only reduce, but not eliminate, the risk of tip-over. this is a permanent label. Do not remove!



4

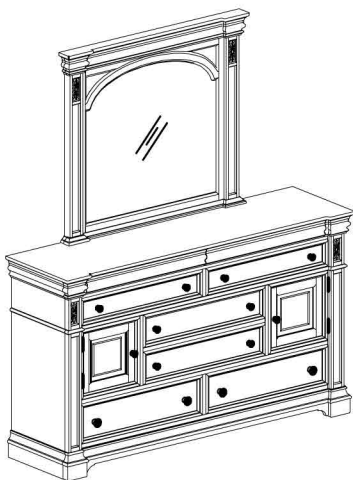
DESCRIPTION / DESCRIPCIÓN : DRESSER / COMMODE / TOCADOR  
MIRROR / MIROIR / ESPEJO

**WARNING**

⚠ **Serious or fatal crushing injuries can occur from furniture tip-over. To help prevent tip-over:**

- install tipover restraint provided.
- Place heaviest items in the lowest drawers.
- Do not set TV's or other heavy objects on top of this product unless the product is specifically designed to accommodate them.
- Never allow children to climb or hang on drawers, doors, or shelves.
- Never open more than one drawers at a time (OR)
- Do not defeat or remove the drawers interlock system.

**Use of tip-over restraints may only reduce, but not eliminate, the risk of tip-over. this is a permanent label. Do not remove!**



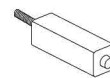
x10 RP167-100 SKNOB  
Small Knob with screw \*  
Poignée et vis  
Tirador y Tornillo



x4 RP167-100 BKNOB  
Big Knob with screw \*  
Poignée et vis  
Tirador y Tornillo



x3 RC-FG-Brown  
Brown Leveler \*  
Patin réglable  
Nivelador



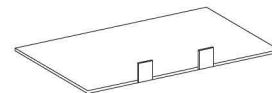
x1 RP167100-CELEG  
Center Leg Support \*  
Support central  
Soporte para la pata central



x2 COMGLIDE-12-45-A  
Auto Common Glide 12 inch 45 mm \*  
Glissière  
Carril de deslizamiento



x6 COMGLIDE-12-45  
Common Glide 12 inch 45 mm \*  
Glissière  
Carril de deslizamiento



x2 RP167-100-FELT  
Removable Felt \*  
Feutre  
Fieltro



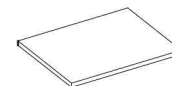
x4 RP167100-CLIP  
Shelf Clip \*  
Supports Pour Tablette  
Soporte De Las Repisas



x4 RP167100-HINGE  
Door Hinge \*  
Charnière de porte  
Bisagra de la puerta



x2 RP167100-CATCH  
Door Catch \*  
Catch de aimant  
Captura de imán



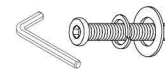
x1 RP67100-SHELF  
Wood Shelf  
étagère  
estante



x2 RP167-110-MISU  
Mirror Support \*  
Supporte de miroir  
Soporte del espejo



x2 RC-BR-NAIL  
Brown Plastic Nail \*  
Clou en plastique  
Clavo de plástico



x1 RP167-110-HWKIT  
Hardware Kit \*  
Kit de matériel  
Kit de hardware

\* Replaceable Part