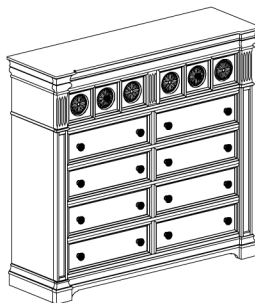



WARNING

Serious or fatal crushing injuries can occur from furniture tip-over. To help prevent tip-over:

- install tipover restraint provided.
- Place heaviest items in the lowest drawers.
- Do not set TV's or other heavy objects on top of this product unless the product is specifically designed to accommodate them.
- Never allow children to climb or hang on drawers, doors, or shelves.
- Never open more than one drawers at a time (OR)
- Do not defeat or remove the drawers interlock system.

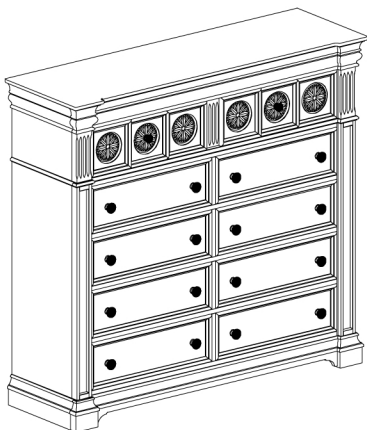
Use of tip-over restraints may only reduce, but not eliminate, the risk of tip-over.
this is a permanent label. Do not remove!


A

x1 Master Chest
x1 Commode
x1 Cómoda

B

x1 Furniture Tipping Restraint
x1 Systeme antibasculement
x1 Control para evitar vulcos

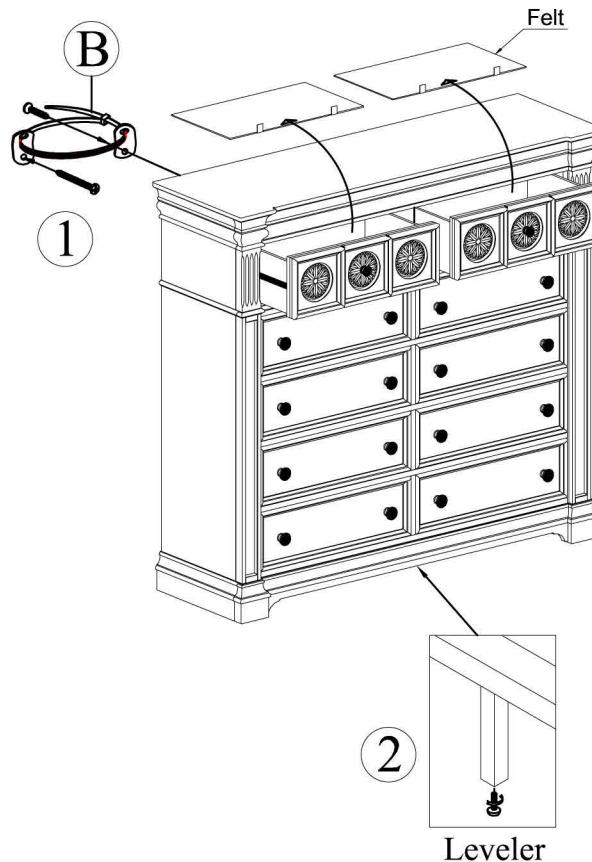


WARNING

Serious or fatal crushing injuries can occur from furniture tip-over. To help prevent tip-over:

- install tipover restraint provided.
- Place heaviest items in the lowest drawers.
- Do not set TV's or other heavy objects on top of this product unless the product is specifically designed to accommodate them.
- Never allow children to climb or hang on drawers, doors, or shelves.
- Never open more than one drawers at a time (OR)
- Do not defeat or remove the drawers interlock system.

Use of tip-over restraints may only reduce, but not eliminate, the risk of tip-over. this is a permanent label. Do not remove!



WARNING

Serious or fatal crushing injuries can occur from furniture tip-over. To help prevent tip-over:

- install tipover restraint provided.
- Place heaviest items in the lowest drawers.
- Do not set TV's or other heavy objects on top of this product unless the product is specifically designed to accommodate them.
- Never allow children to climb or hang on drawers, doors, or shelves.
- Never open more than one drawers at a time (OR)
- Do not defeat or remove the drawers interlock system.

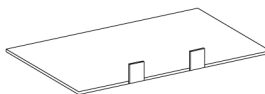
Use of tip-over restraints may only reduce, but not eliminate, the risk of tip-over. this is a permanent label. Do not remove!



x2 RP167-100 SKNOB
Small Knob with screw*
Poignée et vis
Tirador y Tornillo



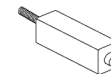
x16 RP167-100 BKNOB
Big Knob with screw*
Poignée et vis
Tirador y Tornillo



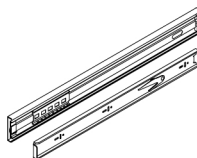
x2 RP167-127-FELT
Removable Felt*
Feutre
Fieltro



x4 RC-BR-NAIL
Brown Plastic Nail*
Clou en plastique
Clavo de plástico



x1 RP167127-CELEG
Center Leg Support*
Support central
Soporte para la pata central



x10 COMGLIDE-12-45
Common Glide 12 inch 45 mm*
Glissière
Carril de deslizamiento



x1 RC-FG-Brown
Brown Leveler*
Patin réglable
Nivelador

* Replaceable Part