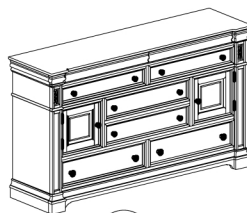
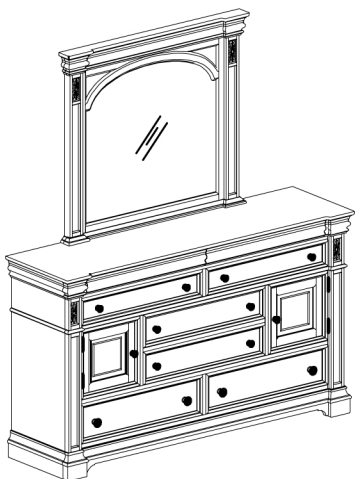


DESCRIPTION / DESCRIPCIÓN : DRESSER / COMMODE / TOCADOR
MIRROR / MIROIR / ESPEJO**WARNING**

Serious or fatal crushing injuries can occur from furniture tip-over. To help prevent tip-over:

- install tipover restraint provided.
- Place heaviest items in the lowest drawers.
- Do not set TV's or other heavy objects on top of this product unless the product is specifically designed to accommodate them.
- Never allow children to climb or hang on drawers, doors, or shelves.
- Never open more than one drawers at a time (OR)
- Do not defeat or remove the drawers interlock system.

Use of tip-over restraints may only reduce, but not eliminate, the risk of tip-over. this is a permanent label. Do not remove!

**A**

x1 Dresser
x1 Commode
x1 Tocador

**C**

x2 Mirror Support *
x2 Supporte de miroir
x2 Soporte del espejo

**E**

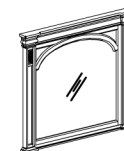
x8 Allen Bolt Ø1/4" x 40mm *
x8 Vis à tête creuse hexagonale Ø1/4 " x 40mm
x8 Perno Allen Ø1/4 " x 40mm

**F**

x8 Lock Washer Ø1/4" *
x8 Rondelle de blocage Ø1/4 "
x8 Arandela de seguridad Ø1/4 "

**B**

x1 Furniture Tipping Restraint
x1 Systeme antibasculement
x1 Control para evitar vulcos

**D**

x1 Mirror
x1 Miroir
x1 Espejo

**G**

x8 Flat Washer Ø1/4" *
x8 Rondelle de plate Ø1/4 "
x8 Arandela plana Ø1/4 "

**H**

x1 Allen Key 4mm *
x1 Clé hexagonale 4mm
x1 Llave allen 4mm

* Replaceable Part

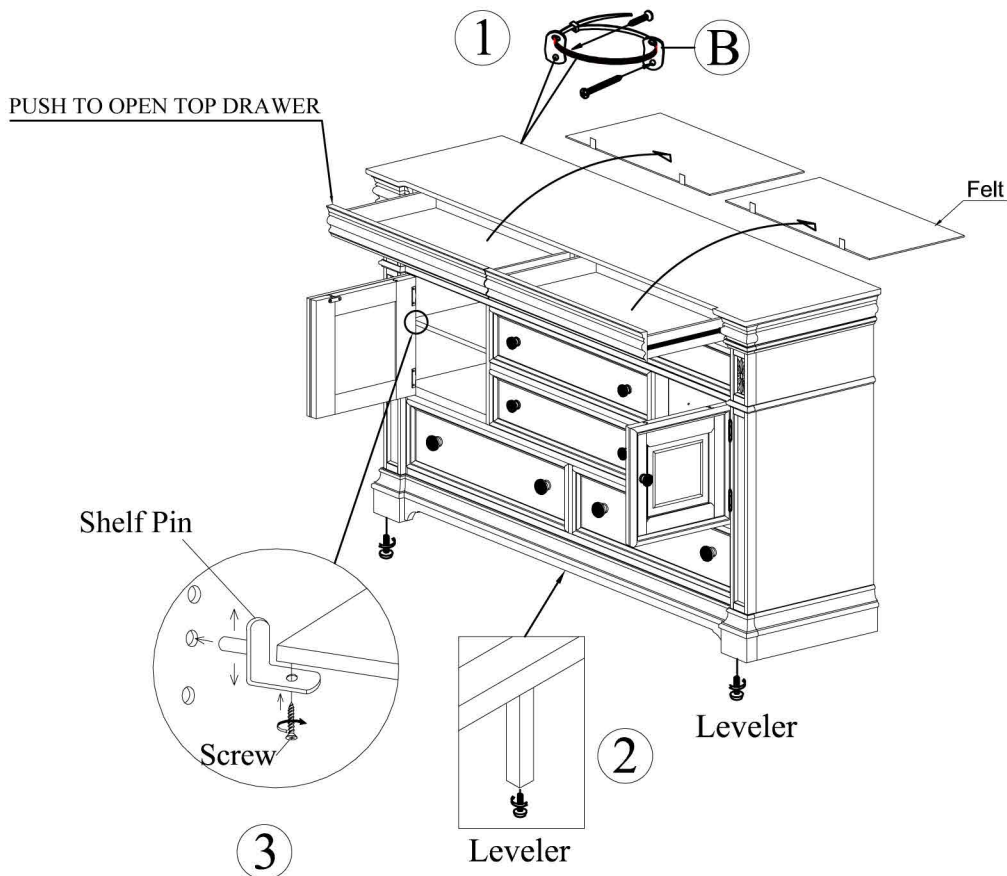
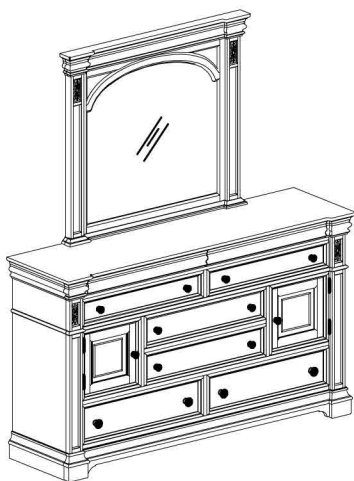
DESCRIPTION / DESCRIPCIÓN : DRESSER / COMMODE / TOCADOR
MIRROR / MIROIR / ESPEJO

⚠ WARNING

Serious or fatal crushing injuries can occur from furniture tip-over. To help prevent tip-over:

- install tipover restraint provided.
- Place heaviest items in the lowest drawers.
- Do not set TV's or other heavy objects on top of this product unless the product is specifically designed to accommodate them.
- Never allow children to climb or hang on drawers, doors, or shelves.
- Never open more than one drawers at a time (OR)
- Do not defeat or remove the drawers interlock system.

Use of tip-over restraints may only reduce, but not eliminate, the risk of tip-over. this is a permanent label. Do not remove!



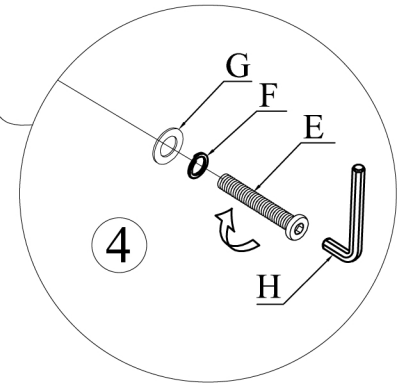
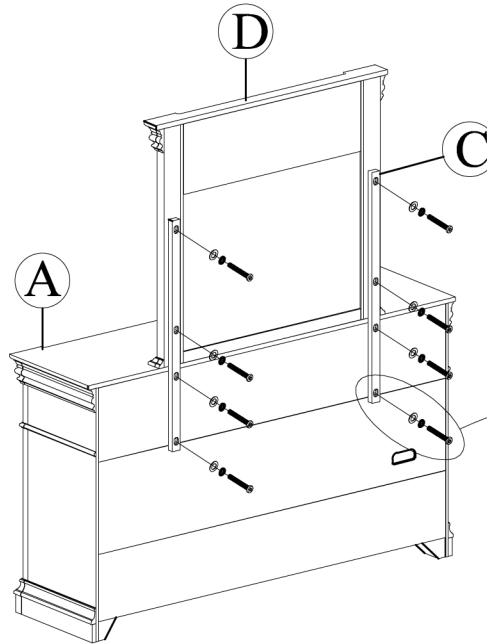
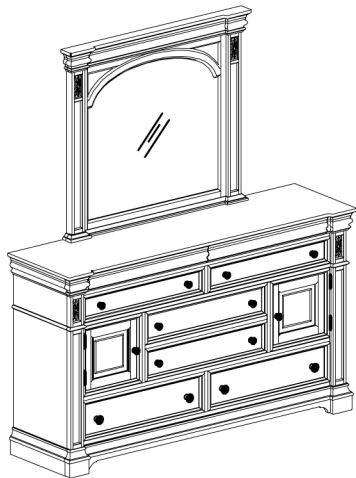
DESCRIPTION / DESCRIPCIÓN : DRESSER / COMMODE / TOCADOR
MIRROR / MIROIR / ESPEJO

▲ WARNING

Serious or fatal crushing injuries can occur from furniture tip-over. To help prevent tip-over:

- install tipover restraint provided.
- Place heaviest items in the lowest drawers.
- Do not set TV's or other heavy objects on top of this product unless the product is specifically designed to accommodate them.
- Never allow children to climb or hang on drawers, doors, or shelves.
- Never open more than one drawers at a time (OR)
- Do not defeat or remove the drawers interlock system.

Use of tip-over restraints may only reduce, but not eliminate, the risk of tip-over. this is a permanent label. Do not remove!



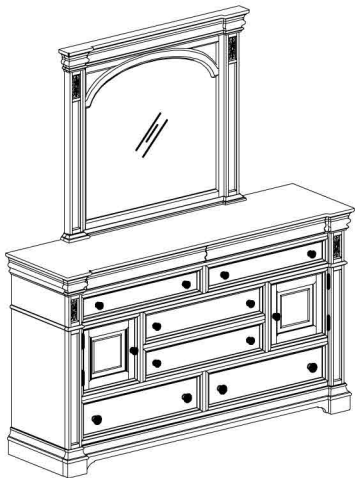
DESCRIPTION / DESCRIPCIÓN : DRESSER / COMMODE / TOCADOR
MIRROR / MIROIR / ESPEJO

WARNING

Serious or fatal crushing injuries can occur from furniture tip-over. To help prevent tip-over:

- install tipover restraint provided.
- Place heaviest items in the lowest drawers.
- Do not set TV's or other heavy objects on top of this product unless the product is specifically designed to accommodate them.
- Never allow children to climb or hang on drawers, doors, or shelves.
- Never open more than one drawers at a time (OR)
- Do not defeat or remove the drawers interlock system.

Use of tip-over restraints may only reduce, but not eliminate, the risk of tip-over. this is a permanent label. Do not remove!



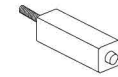
x10 RP167-100 SKNOB
Small Knob with screw *
Poignée et vis
Tirador y Tornillo



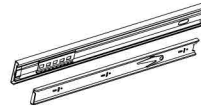
x4 RP167-100 BKNOB
Big Knob with screw *
Poignée et vis
Tirador y Tornillo



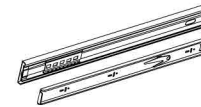
x3 RC-FG-Brown
Brown Leveler *
Patin réglable
Nivelador



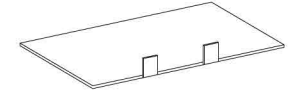
x1 RP167100-CELEG
Center Leg Support *
Support central
Soporte para la pata central



x2 COMGLIDE-12-45-A
Auto Common Glide 12 inch 45 mm *
Glissière
Carril de deslizamiento



x6 COMGLIDE-12-45
Common Glide 12 inch 45 mm *
Glissière
Carril de deslizamiento



x2 RP167-100-FELT
Removable Felt *
Feutre
Fieltro



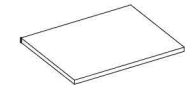
x4 RP167100-CLIP
Shelf Clip *
Supports Pour Tablette
Soporte De Las Repisas



x4 RP167100-HINGE
Door Hinge *
Charnière de porte
Bisagra de la puerta



x2 RP167100-CATCH
Door Catch *
Catch de aimant
Captura de imán



x1 RP67100-SHELF
Wood Shelf
étagère
estante



x2 RP167-110-MISU
Mirror Support *
Supporte de miroir
Soporte del espejo



x2 RC-BR-NAIL
Brown Plastic Nail *
Clou en plastique
Clavo de plástico



x1 RP167-110-HWKIT
Hardware Kit *
Kit de matériel
Kit de hardware

* Replaceable Part