

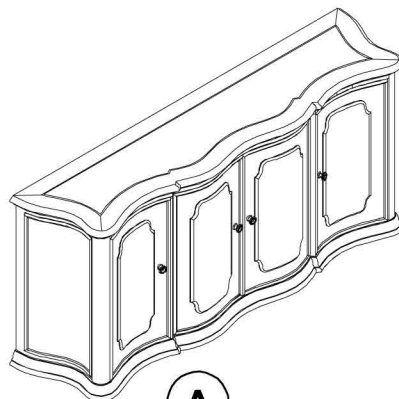
DESCRIPTION/ LA DESCRIPTION/ DESCRIPCIÓN: Buffet/ Buffet/Aparador

WARNING

Children have died from furniture tipover. To reduce the risk of furniture tipover :

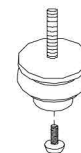
- ALWAYS install tipover restraint provided.
- NEVER put a TV on this product.
- NEVER allow children to stand, climb or hang on drawers, doors, or shelves.
- NEVER open more than one drawer at a time.
- Place heaviest items in the lowest drawers.

This is a permanent label. Do not remove!



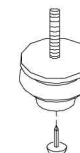
A

- x1 Buffet
- x1 Buffet
- x1 Aparador



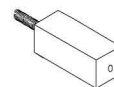
B

- x2 Bun Foot (Front) *
- x2 Pied en forme d'ognon (Avant)
- x2 Pata redonda (Delantera)



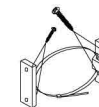
C

- x2 Bun Foot (Back) *
- x2 Pied en forme d'ognon (Arrière)
- x2 Pata redonda (Trasera)



D

- x1 Center leg *
- x1 Pattes centrales
- x1 Patas centrales



E

- x1 Tipping restraint *
- x1 Liste des pièces de quincaillerie antibasculent
- x1 Abrazadera antivuelco

*Replaceable Part

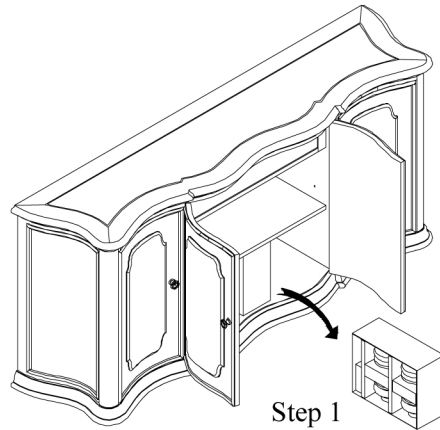
DESCRIPTION/ LA DESCRIPTION/ DESCRIPCIÓN: Buffet/ Buffet/ Aparador

WARNING

Children have died from furniture tipover. To reduce the risk of furniture tipover :

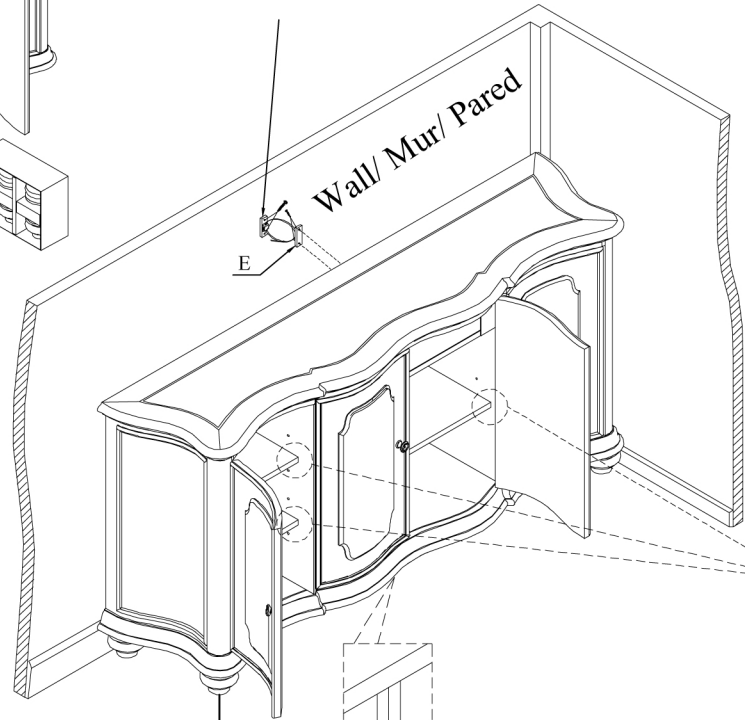
- ALWAYS install tipover restraint provided.
- NEVER put a TV on this product.
- NEVER allow children to stand, climb or hang on drawers, doors, or shelves.
- NEVER open more than one drawer at a time.
- Place heaviest items in the lowest drawers.

This is a permanent label. Do not remove!

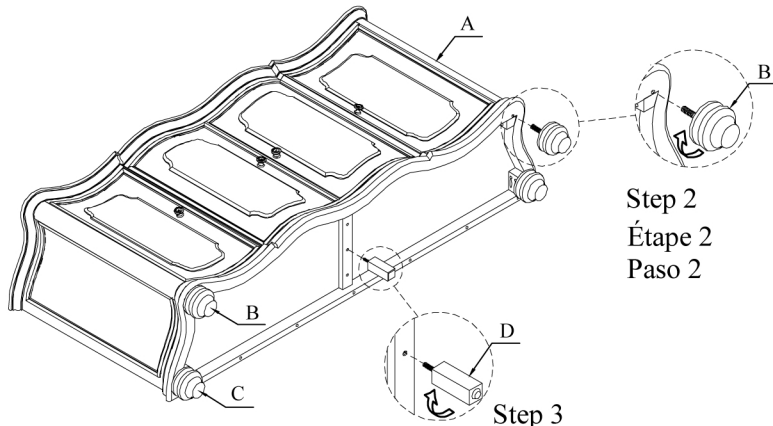


Step 1
Étape 1
Paso 1

Tipping restraint/
Liste des pièces de quincaillerie antibasculement/
Abrazadera antivuelco



Wall/ Mur/ Pared



Step 2
Étape 2
Paso 2

Step 3
Étape 3
Paso 3

Adjustable leveler
Patin réglable
Nivelador ajustable

Adjustable leveler
Patin réglable
Nivelador ajustable

*Replaceable Part

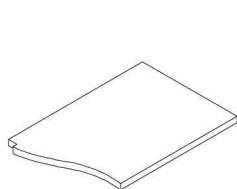
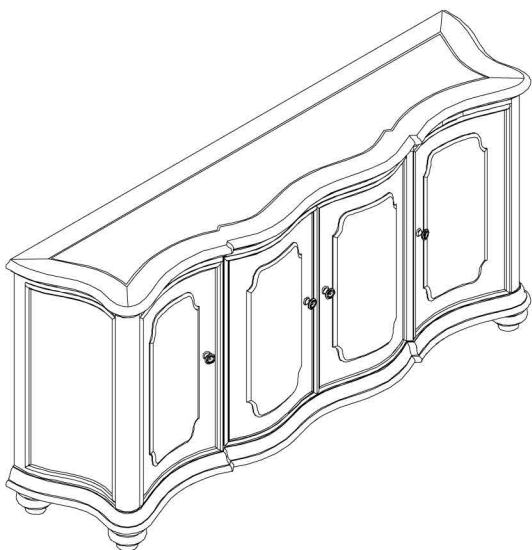
DESCRIPTION/ LA DESCRIPTION/ DESCRIPCIÓN: Buffet/Bufet/Aparador

WARNING

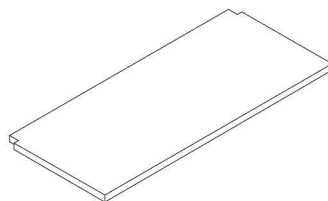
Children have died from furniture tipover. To reduce the risk of furniture tipover :

- ALWAYS install tipover restraint provided.
- NEVER put a TV on this product.
- NEVER allow children to stand, climb or hang on drawers, doors, or shelves.
- NEVER open more than one drawer at a time.
- Place heaviest items in the lowest drawers.

This is a permanent label. Do not remove!



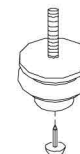
RP293300 SHELF *
x4 Wood Shelf
x4 étagère
x4 estante



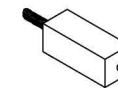
RP293300 SHELFM *
x1 Middle Wood Shelf
x1 Estagère centrale
x1 Repisa media



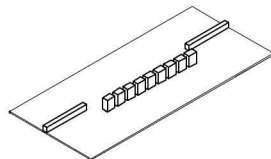
RP293300 FOOTF *
x2 Bun Foot (Front)
x2 Pied en forme d'oignon (Avant)
x2 Pata redonda (Delantera)



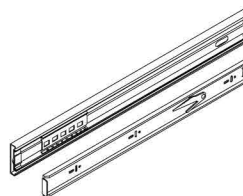
RP293300 FOOTB *
x2 Bun Foot (Back)
x2 Pied en forme d'oignon (Arrière)
x2 Pata redonda (Trasera)



RP293300-CELEG *
x1 Center Leg
x1 Pattes centrales
x1 Patas centrales



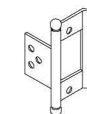
RP293300-TRAY *
x1 Silverware Tray



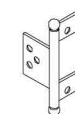
COMGLIDE-12-45 *
x1 Common Drawer Glide
x1 Glissière
x1 Carril de deslizamiento



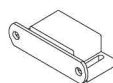
RP293300-SUPP *
x20 Shelf Support
x20 Supports Pour Tablette
x20 Soporte De Las Repisas



RP293300 HINGES *
x4 Side Door Hinge
x4 Charnière
x4 Bisagra



RP293300 HINGEM *
x4 Middle Door Hinge
x4 Charnière
x4 Bisagra



RP293300 CATCH *
x8 Door Catch
x8 Catch de aimant
x8 Captura de imán



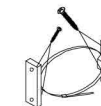
RP293-KNOBS *
x4 Small Knob with Screw
x4 Poignée
x4 Tirador



RC-FG-WHITE *
x3 Common Adjustable Leveler
x3 Patin réglable
x3 Nivelador ajustable



RC-WH-NAIL *
x2 Plastic Nail
x2 Clou
x2 Clavo



RC-ANTI-TIP *
x1 Anti-tipping Restraint
x1 Liste des pièces de quincaillerie antibasculement
x1 Lista del kit de materiales antivuelco

*Replaceable Part