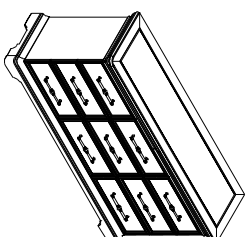
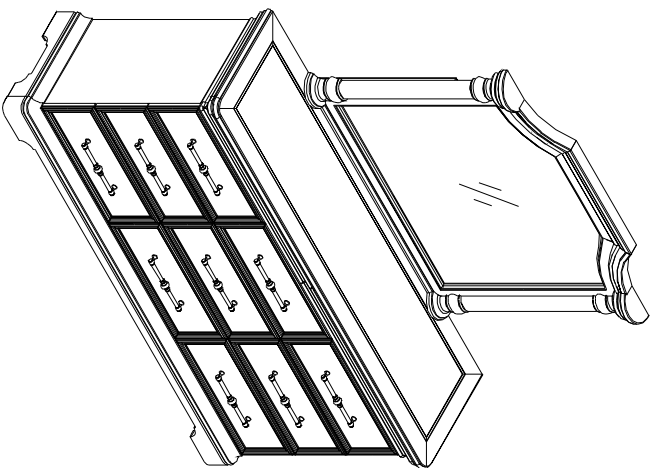


PARTS LIST / LISTE DES PIÈCES / LISTA DE PIEZAS
ITEM NO./ARTICLE NO./ARTICULO NO.: P330100/ P330110

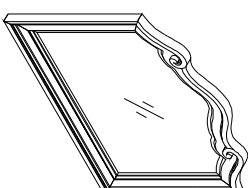
DESCRIPTION/ LA DESCRIPTION/ DESCRIPCIÓN: Dresser/ Commode/ Tocado
Mirror/ Miroir/ Espejo

⚠ WARNING	<p>Children have died from furniture tipover. To reduce the risk of furniture tipover :</p> <ul style="list-style-type: none"> • ALWAYS install tipover restraint provided. • NEVER put a TV on this product. • NEVER allow children to stand, climb or hang on drawers, doors, or shelves. • NEVER open more than one drawer at a time. • Place heaviest items in the lowest drawers.
	<p>This is a permanent label. Do not remove!</p>



A

- x1 Dresser
- x1 Commode
- x1 Tocado



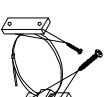
B

- x1 Landscape Mirror
- x1 Miroir horizontal
- x1 Espejo horizontal



C

- x2 Mirror Support
- x2 Supporte de miroir
- x2 Soporte del espejo



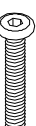
D

- x1 Tipping restraint *
- x1 Liste des pièces de quincaillerie antibasculement
- x1 Abrazadera antivuelco



E

- x1 Allen Key 4mm *
- x1 Clé hexagonale 4mm
- x1 Llave Allen 4mm



F

- x8 Allen bolt Ø1/4"*-1-3/4" *
- x8 Vis à tête creuse hexagonale Ø1/4"*-1-3/4
- x8 Perno Allen Ø1/4"*-1-3/4



G

- x8 Lock washer Ø1/4"×Ø12*3mm *
- x8 Rondelle de blocage Ø1/4"×Ø12*3mm
- x8 Arandela de Seguridad Ø1/4"×Ø12*3mm



H

- x8 Flat Washer Ø1/4"×19×2mm *
- x8 Rondelle plate Ø1/4"×19×2mm
- x8 Arandela plana Ø1/4"×19×2mm

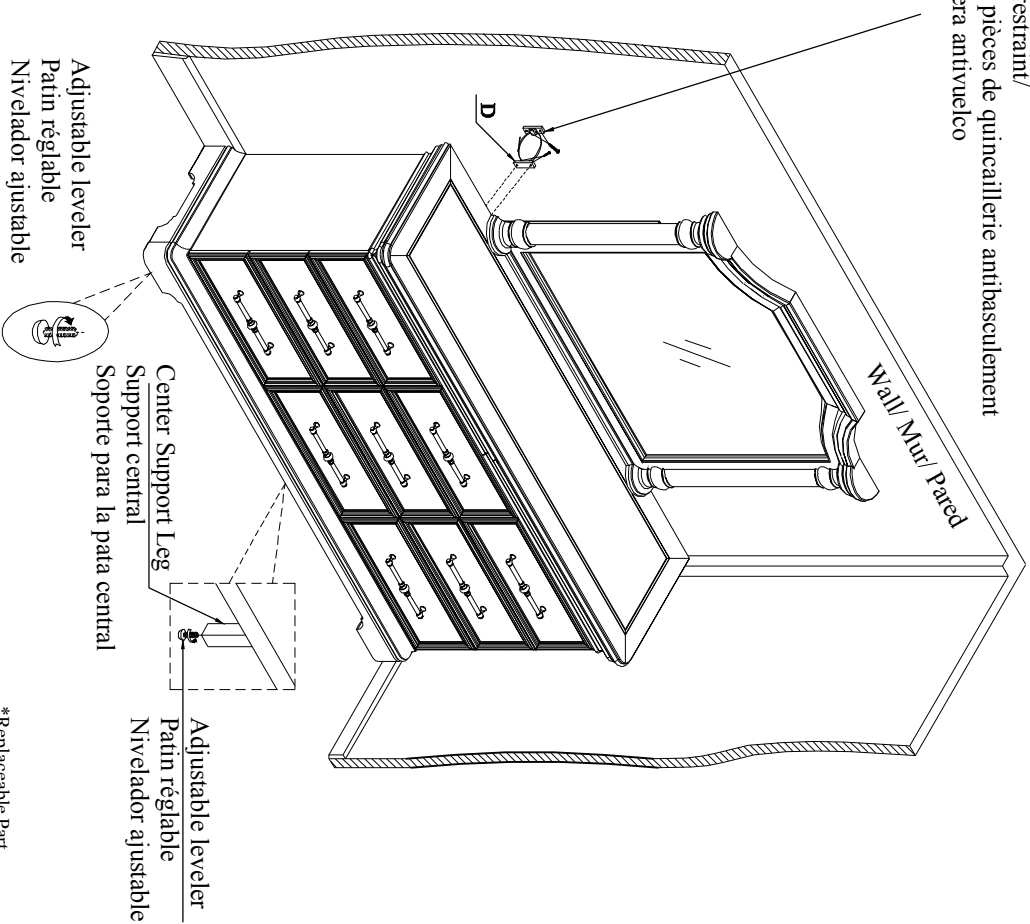
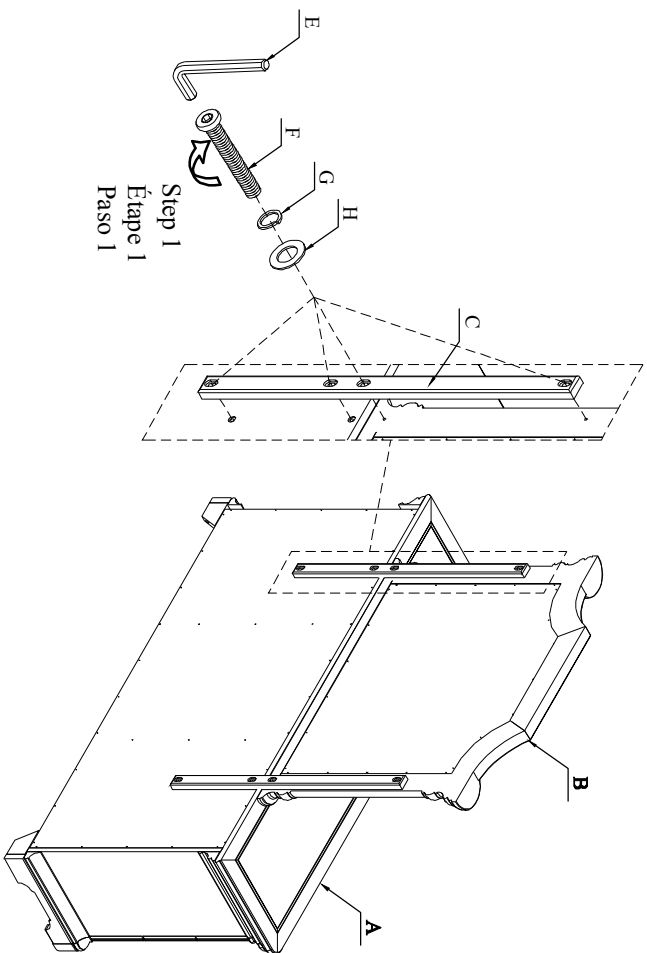
*Replaceable Part



ASSEMBLY INSTRUCTIONS/ NOTICE DE MONTAGE/ INSTRUCCIONES DE MONTAJE
ITEM NO./ARTICLE NO./ARTICULO NO: P330100/ P330110
DESCRIPTION/ LA DESCRIPTION/ DESCRIPCIÓN: Dresser/ Commode/ Tocador
Mirror/ Miroir/ Espejo

⚠ WARNING	<p>Children have died from furniture tipover. To reduce the risk of furniture tipover :</p> <ul style="list-style-type: none"> • ALWAYS install tipover restraint provided. • NEVER put a TV on this product. • NEVER allow children to stand, climb or hang on drawers, doors, or shelves. • NEVER open more than one drawer at a time. • Place heaviest items in the lowest drawers.
	<p><i>This is a permanent label. Do not remove!</i></p>

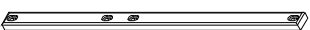
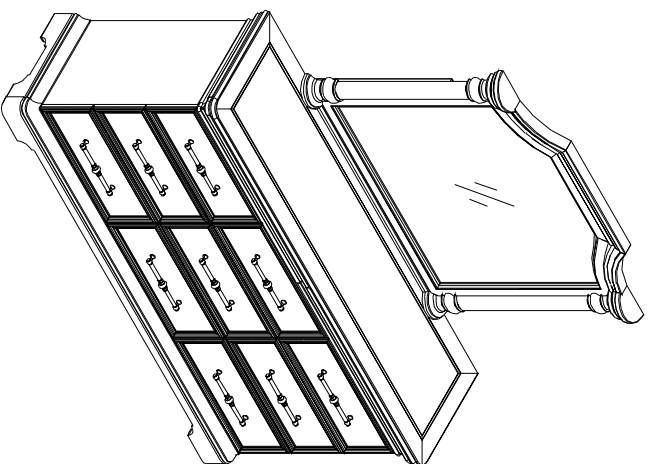
Tipping restraint/
 Liste des pièces de quincaillerie antibascullement
 Abrazadera antivuelco



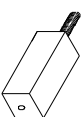
*Replaceable Part

REPLACEABLE PART / PARTIE REMPLAÇABLE / PARTE REMPLAZABLE
ITEM NO./ARTICLE NO./ARTICULO NO: P330100/ P330110
DESCRIPTION/ LA DESCRIPTION/ DESCRIPCIÓN: Dresser/ Commode/ Tocador
Mirror/ Miroir/ Espejo

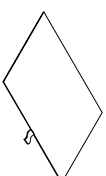
⚠ WARNING
<p>Children have died from furniture tipover. To reduce the risk of furniture tipover :</p> <ul style="list-style-type: none"> • ALWAYS install tipover restraint provided. • NEVER put a TV on this product. • NEVER allow children to stand, climb or hang on drawers, doors, or shelves. • NEVER open more than one drawer at a time. • Place heaviest items in the lowest drawers.
<p>This is a permanent label. Do not remove!</p>



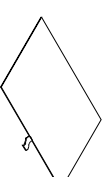
- RP330110-MISU ***
x2 Mirror Support
x2 Supporte de miroir
x2 Soporte del espejo



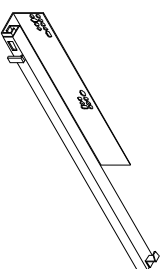
- RP330100-CELEG ***
x1 Center Leg
x1 Pied
x1 Perna de soporte



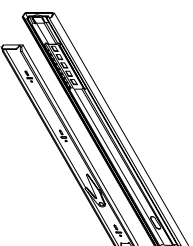
- RP330100-FELTS-BROWN ***
x2 Side Removable Felt
x2 Latérale Feutre
x2 Lateral Fieltro



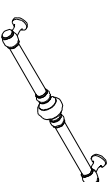
- RP330100-FELTM-BROWN ***
x1 Middle Removable Felt
x1 Central Feutre
x1 Central Fieltro



- RP330100-DG ***
x3 Drawer Glide
x3 Glissière
x3 Carril de deslizamiento



- COMGLIDE-1245 ***
x8 Common Drawer Glide
x8 Glissière
x8 Carril de deslizamiento



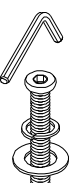
- RP330-PULL ***
x9 Common Pull with Screw
x9 poignée et vis
x9 tirador y Tornillo



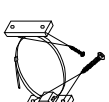
- RC-FG-WHITE ***
x3 Common Adjustable Leveler
x3 Patin réglable
x3 Nivelador ajustable



- RC-WHT-NAIL ***
x2 Plastic Nail
x2 Clou
x2 Clavo



- RP330110-HWKIT ***
x1 Hardware Kit
x1 Liste des pièces de quincaillerie
x1 Lista del kit de materiales



- RC-ANTI-TIP ***
x1 Anti-tipping Restraint
x1 Liste des pièces de quincaillerie antibasculement
x1 Lista del kit de materiales antivuelco

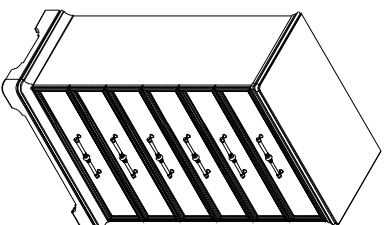
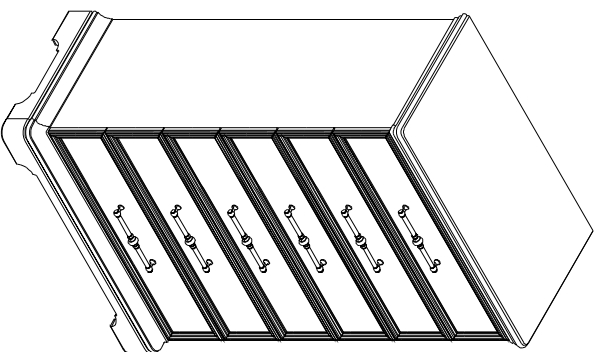
*Replaceable Part



PARTS LIST / LISTE DES PIÈCES / LISTA DE PIEZAS
ITEM NO./ARTICLE NO./ARTICULO NO: P330124

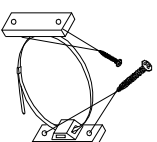
DESCRIPTION/ LA DESCRIPTION/ DESCRIPCIÓN: Chest/ Commode/ Cómoda

⚠ WARNING	
	Children have died from furniture tipover. To reduce the risk of furniture tipover :
	• ALWAYS install tipover restraint provided.
	• NEVER put a TV on this product.
	• NEVER allow children to stand, climb or hang on drawers, doors, or shelves.
	• NEVER open more than one drawer at a time.
	• Place heaviest items in the lowest drawers.
<i>This is a permanent label. Do not remove!</i>	



A

- x1 Chest
- x1 Commode
- x1 Cómoda



B

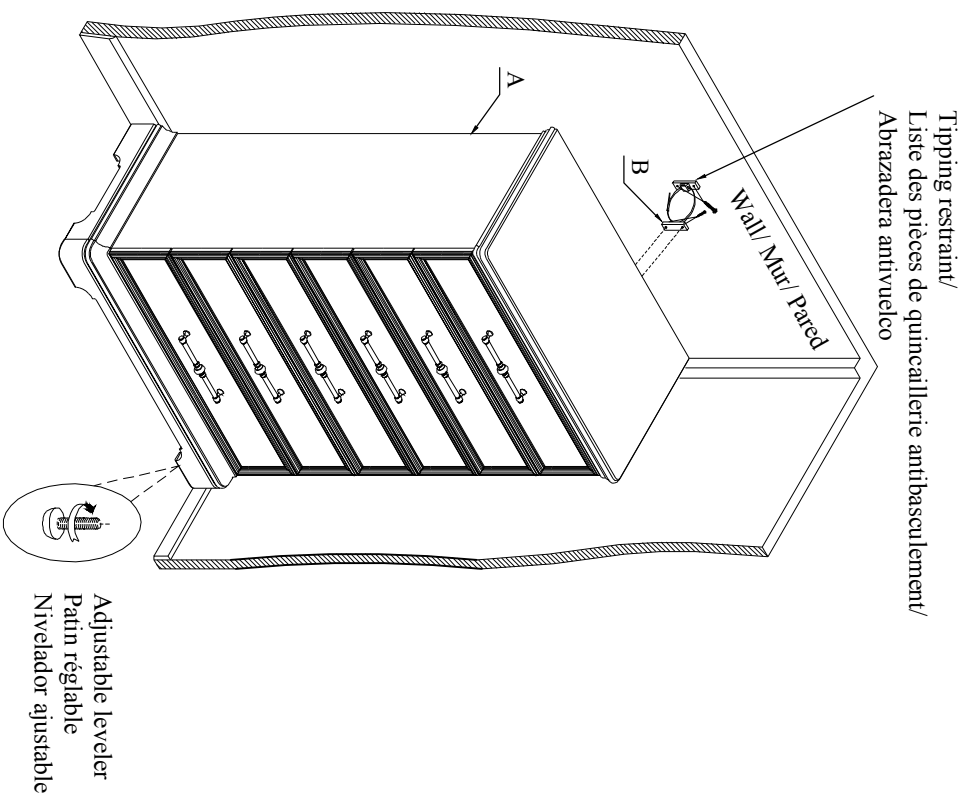
- x1 Tipping restraint *
- x1 Liste des pièces de quincaillerie antibasculement
- x1 Abrazadera antivuelco

* Replaceable Part



ASSEMBLY INSTRUCTIONS/ NOTICE DE MONTAGE/ INSTRUCCIONES DE MONTAJE
ITEM NO./ARTICLE NO./ARTICULO NO: P330124
DESCRIPTION/ LA DESCRIPTION/ DESCRIPCIÓN: Chest/ Commode/ Cómoda

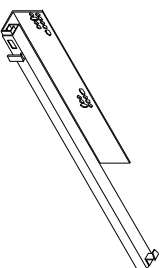
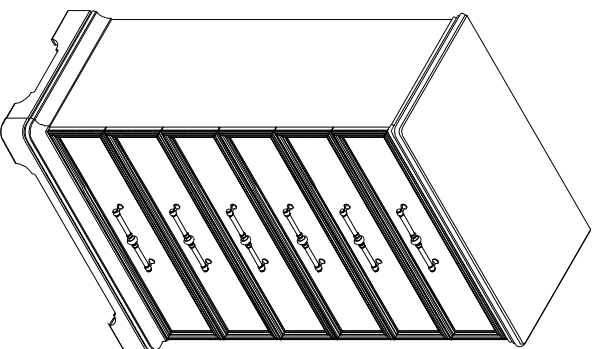
⚠ WARNING	
Children have died from furniture tipover. To reduce the risk of furniture tipover :	
	
<ul style="list-style-type: none">• ALWAYS install tipover restraint provided.• NEVER put a TV on this product.• NEVER allow children to stand, climb or hang on drawers, doors, or shelves.• NEVER open more than one drawer at a time.• Place heaviest items in the lowest drawers.	
<i>This is a permanent label. Do not remove!</i>	



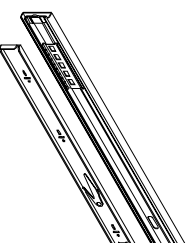
*Replaceable Part

REPLACEABLE PART / PARTIE REMPLAÇABLE / PARTE REMPLAZABLE
ITEM NO./ARTICLE NO./ARTICULO NO: P330124
DESCRIPTION/ LA DESCRIPTION/ DESCRIPCIÓN: Chest/ Commode/ Cómoda

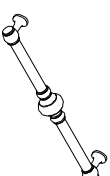
⚠ WARNING	
	
<p>Children have died from furniture tipover. To reduce the risk of furniture tipover :</p> <ul style="list-style-type: none"> • ALWAYS install tipover restraint provided. • NEVER put a TV on this product. • NEVER allow children to stand, climb or hang on drawers, doors, or shelves. • NEVER open more than one drawer at a time. • Place heaviest items in the lowest drawers. <p><i>This is a permanent label. Do not remove!</i></p>	



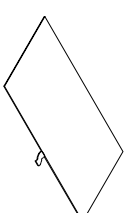
- RP330100-DG ***
 x1 Drawer Glide
 x1 Glissière
 x1 Carril de deslizamiento



- COMCLIDE-1245 ***
 x5 Common Drawer Glide
 x5 Glissière
 x5 Carril de deslizamiento



- RP330-PULL ***
 x6 Common Pull with Screw
 x6 poignée et vis
 x6 tirador y Tornillo



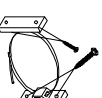
- RP330124-FELT-BROWN ***
 x1 Removable Felt
 x1 Feutre
 x1 Fielto



- RC-FG-WHITE ***
 x2 Common Adjustable Leveler
 x2 Patin réglable
 x2 Nivelador ajustable



- RC-WHT-NAIL ***
 x2 Plastic Nail
 x2 Clou
 x2 Clavo



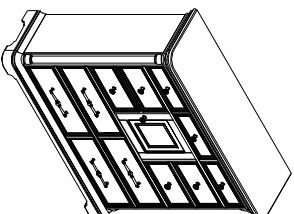
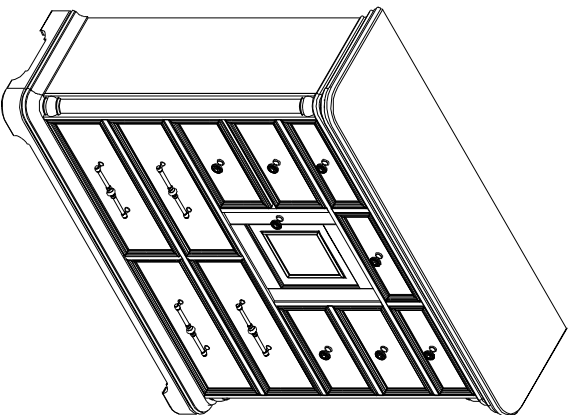
- RC-ANTI-TIP ***
 x1 Anti-tipping Restraint
 x1 Liste des pièces de quincaillerie antibasculement
 x1 Lista del kit de materiales antivuelco

*Replaceable Part

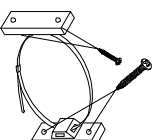
PARTS LIST / LISTE DES PIÈCES / LISTA DE PIEZAS
ITEM NO./ARTICLE NO./ARTICULONO: P330127

DESCRIPTION/ LA DESCRIPTION/ DESCRIPCIÓN: Master Chest/ Commode/ Cómoda

⚠ WARNING	
	<p>Children have died from furniture tipover. To reduce the risk of furniture tipover :</p> <ul style="list-style-type: none"> • ALWAYS install tipover restraint provided. • NEVER put a TV on this product. • NEVER allow children to stand, climb or hang on drawers, doors, or shelves. • NEVER open more than one drawer at a time. • Place heaviest items in the lowest drawers. <p><i>This is a permanent label. Do not remove!</i></p>
	



- A**
- x1 Master Chest Deck
 - x1 Commode (Partie supérieure)
 - x1 Cómoda (Parte superior)

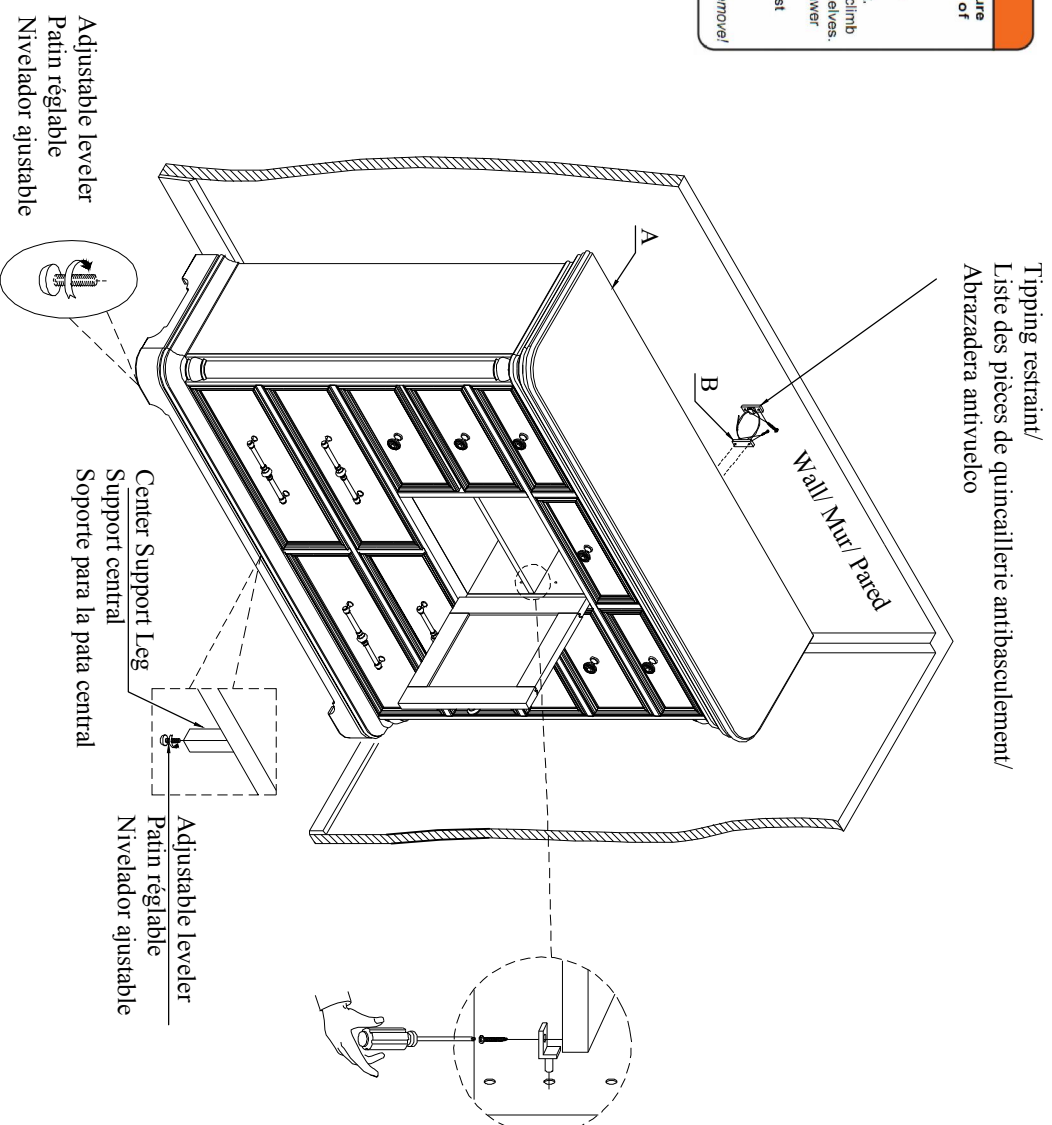


- B**
- x1 Tipping restraint *
 - x1 Liste des pièces de quincaillerie antibasculement
 - x1 Abrazadera antivuelco

*Replaceable Part

ASSEMBLY INSTRUCTIONS/ NOTICE DE MONTAGE/ INSTRUCCIONES DE MONTAJE
ITEM NO./ARTICLE NO./ARTICULO NO: P330127
DESCRIPTION/ LA DESCRIPTION/ DESCRIPCIÓN: Master Chest/ Commode/ Cómoda

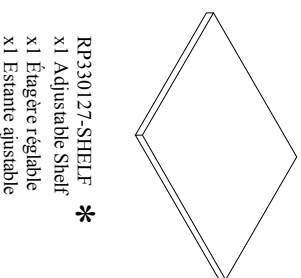
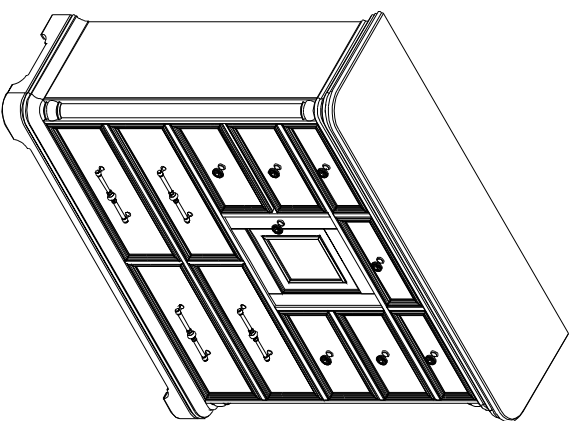
⚠ WARNING
<p>Children have died from furniture tipover. To reduce the risk of furniture tipover :</p> <ul style="list-style-type: none"> • ALWAYS install tipover restraint provided. • NEVER put a TV on this product. • NEVER allow children to stand, climb or hang on drawers, doors, or shelves. • NEVER open more than one drawer at a time. • Place heaviest items in the lowest drawers. <p><i>This is a permanent label. Do not remove!</i></p>



*Replaceable Part

REPLACEABLE PART / PARTIE REMPLAÇABLE / PARTE REEMPLAZABLE
ITEM NO./ARTICLE NO./ARTICULO NO: P330127
DESCRIPTION/ LA DESCRIPTION/ DESCRIPCIÓN: Master Chest/ Commode/ Cómoda

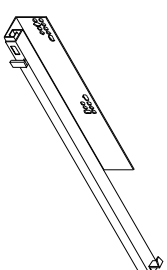
WARNING	
	<p>Children have died from furniture tipover. To reduce the risk of furniture tipover :</p> <ul style="list-style-type: none"> • ALWAYS install tipover restraint provided. • NEVER put a TV on this product. • NEVER allow children to stand, climb or hang on drawers, doors, or shelves. • NEVER open more than one drawer at a time. • Place heaviest items in the lowest drawers.
	<p>This is a permanent label. Do not remove!</p>



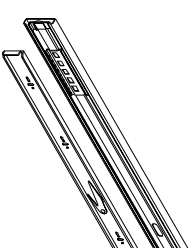
RP330127-SHELF *
 x1 Adjustable Shelf
 x1 Étagère réglable
 x1 Estante ajustable



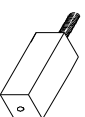
RP330127-SUPP *
 x4 Shelf Support
 x4 Supports Pour Tablette
 x4 Soporte De Las Repisas



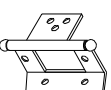
RP330100-DG *
 x3 Drawer Glide
 x3 Glissière
 x3 Carril de deslizamiento



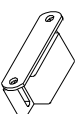
COMGLIDE-12-45 *
 x9 Common Drawer Glide
 x9 Glissière
 x9 Carril de deslizamiento



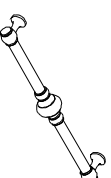
RP330127-CELEG *
 x1 Center Leg
 x1 Pied
 x1 Pierna de soporte



PR330127 HINGE *
 x2 Door Hinge
 x2 Charnière
 x2 Bisagra



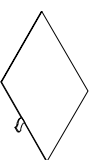
RP330127 CATCH *
 x1 Door Catch
 x1 Catch de aimant
 x1 Captura de imán



RP330-PULL *
 x4 Common Pull with Screw
 x4 poignée et vis
 x4 tirador y Tornillo



RP330-KNOB *
 x8 Common Knob with Screw
 x8 Poignée et vis
 x8 Tirador y Tornillo



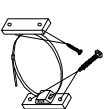
RP330127-FELT-BROWN *
 x3 Removable Felt
 x3 Feutre
 x3 Fieltro



RC-FG-WHITE *
 x3 Common Adjustable Leveler
 x3 Patin réglable
 x3 Nivelador ajustable

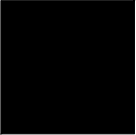


RC-WHT-NAIL *
 x2 Plastic Nail
 x2 Clou
 x2 Clavo



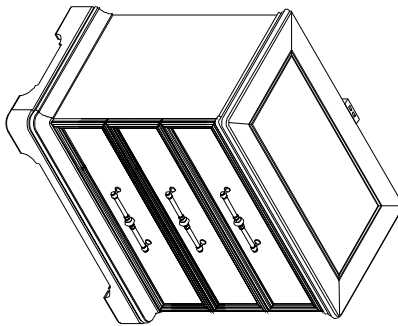
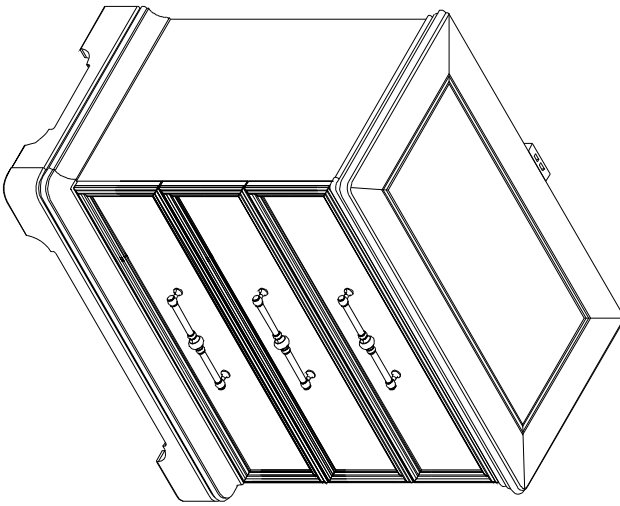
RC-ANTI-TIP *
 x1 Anti-tipping Restraint
 x1 Liste des pièces de quincaillerie antibasculement
 x1 Lista del kit de materiales antivuelco

* Replaceable Part



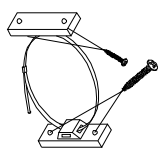
PARTS LIST / LISTE DES PIÈCES / LISTA DE PIEZAS
ITEM NO./ARTICLE NO./ARTICULO NO: P330140
DESCRIPTION/ LA DESCRIPTION/ DESCRIPCIÓN: Nightstand/ Table de chevet/ Mesa de noche

⚠ WARNING	
	<p>Children have died from furniture tipover. To reduce the risk of furniture tipover :</p> <ul style="list-style-type: none"> • ALWAYS install tipover restraint provided. • NEVER put a TV on this product. • NEVER allow children to stand, climb or hang on drawers, doors, or shelves. • NEVER open more than one drawer at a time. • Place heaviest items in the lowest drawers. <p><i>This is a permanent label. Do not remove!</i></p>
	



A

- x1 Chest
- x1 Commode
- x1 Comoda



B

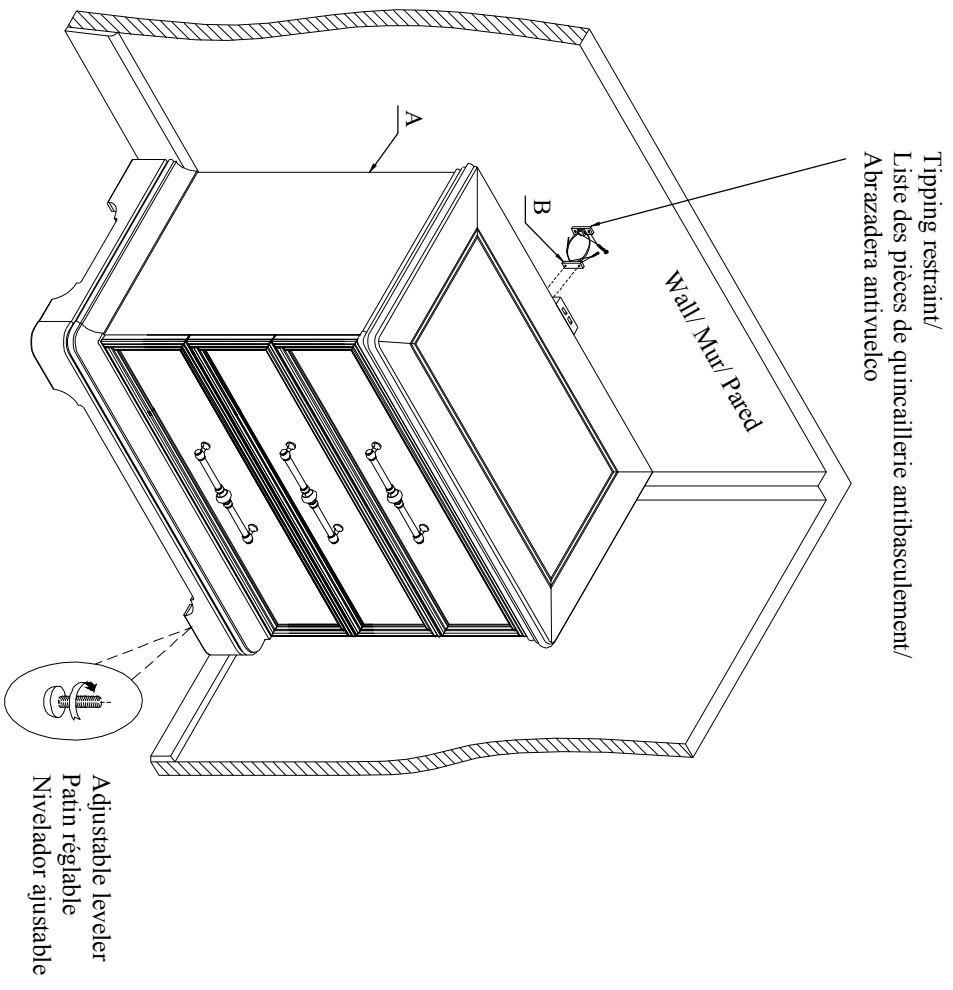
- x1 Tipping restraint *
- x1 Liste des pièces de quincaillerie antihasculement
- x1 Abrazadera antivuelco

*Replaceable Part



ASSEMBLY INSTRUCTIONS/ NOTICE DE MONTAGE/ INSTRUCCIONES DE MONTAJE
ITEM NO./ARTICLE NO./ARTICULO NO: P330140
DESCRIPTION/ LA DESCRIPTION/ DESCRIPCIÓN: Nightstand/ Table de chevet/ Mesa de noche

	⚠ WARNING Children have died from furniture tipover. To reduce the risk of furniture tipover : <ul style="list-style-type: none">• ALWAYS install tipover restraint provided.• NEVER put a TV on this product.• NEVER allow children to stand, climb or hang on drawers, doors, or shelves.• NEVER open more than one drawer at a time.• Place heaviest items in the lowest drawers.
	<i>This is a permanent label. Do not remove!</i>

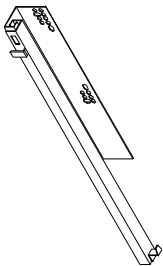
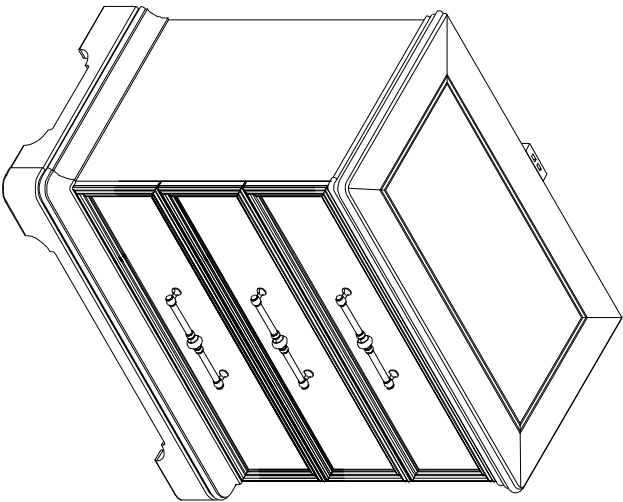


*Replaceable Part



REPLACEABLE PART / PARTIE REMPLAÇABLE / PARTE REMPLAZABLE
ITEM NO./ARTICLE NO./ARTICULO NO: P330140
DESCRIPTION/ LA DESCRIPTION/ DESCRIPCIÓN: Nightstand/ Table de chevet/ Mesa de noche

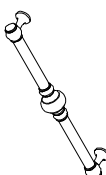
⚠ WARNING	
<p>Children have died from furniture tipover. To reduce the risk of furniture tipover :</p> <ul style="list-style-type: none"> • ALWAYS install tipover restraint provided. • NEVER put a TV on this product. • NEVER allow children to stand, climb or hang on drawers, doors, or shelves. • NEVER open more than one drawer at a time. • Place heaviest items in the lowest drawers. 	
	
<p><i>This is a permanent label. Do not remove!</i></p>	



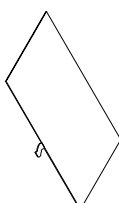
- RP330100-DG ***
 x1 Drawer Glide
 x1 Glissière
 x1 Carril de deslizamiento



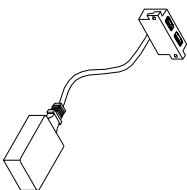
- COMGLIDE-1045 ***
 x1 Common Drawer Glide
 x1 Glissière
 x1 Carril de deslizamiento



- RP330-PULL ***
 x3 Common Pull with Screw
 x3 poignée et vis
 x3 tirador y Tornillo



- RP330140-FELT-BROWN ***
 x1 Removable Felt
 x1 Feutre
 x1 Fieltro



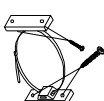
- RP330140-USB ***
 x1 USB Port
 x1 Prise USB
 x1 Conector USB



- RC-FG-WHITE ***
 x2 Common Adjustable Leveler
 x2 Patin réglable
 x2 Nivelador ajustable



- RC-WHT-NAIL ***
 x2 Plastic Nail
 x2 Clou
 x2 Clavo



- RC-ANTI-TIP ***
 x1 Anti-tipping Restraint
 x1 Liste des pièces de quincaillerie antibasculement
 x1 Lista del kit de materiales antivuelco

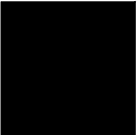
* Replaceable Part



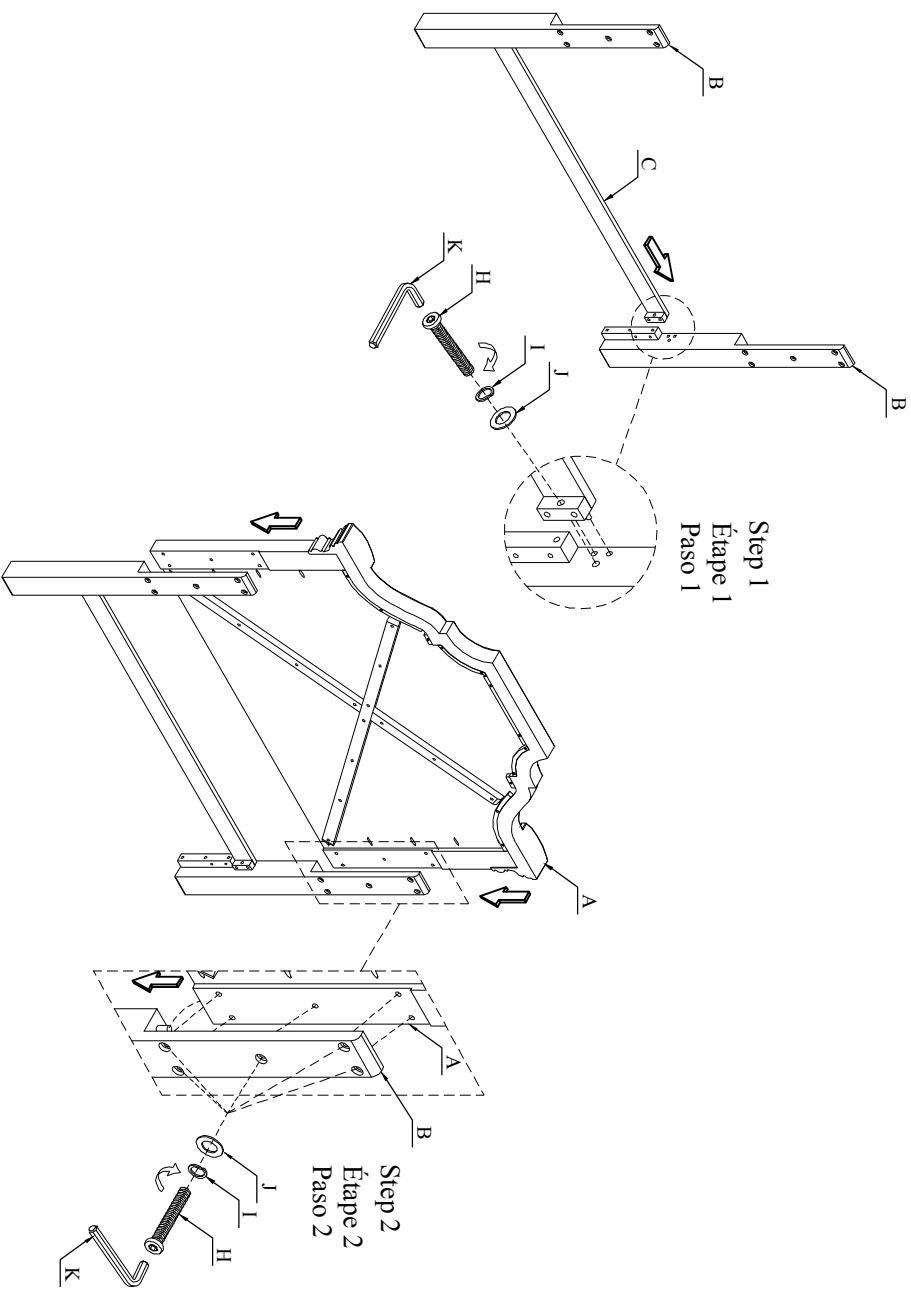
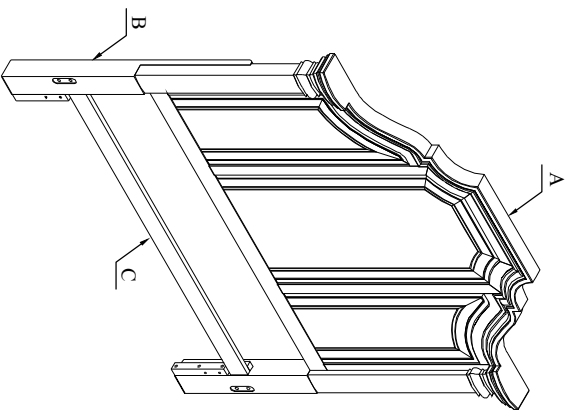
PARTS LIST / LISTE DES PIÈCES / LISTA DE PIEZAS
ITEM NO./ARTICLE NO./ARTICULO NO. : P330150 / P330152/ P330151
DESCRIPTION/ LA DESCRIPTION/ DESCRIPCIÓN:
P330150 5/0 5/0 Panel Headboard/Tête de grand lit en panneau/Cabecera estilo panel de 5/0
P330152 5/0-6/6 Set of Side Rails/Traverses de grand lit et très grand lit standard/Travesaños laterales de 5/0-6/6
P330151 5/0 Panel FB & Slats/Pied de grand lit en panneau avec banc de lit/Pie de cama estilo panel con listones de 5/0

	A	x1 Headboard x1 Tête de lit x1 Cabecera		B	x2 Headboard Post Leg * x2 Partie de tête de lit x2 Poste de la cabecera		C	x1 Support Rail * x1 Support central x1 Riel de soporte		D	x1 Footboard x1 Pied de lit x1 Pie de cama		E	x2 Side Rail x2 Traverse x2 Travesaño lateral		F	x5 Slat * x5 Lattes x5 Listón							
	G	x5 Slat Support * x5 Support de lattes x5 Soporte de listones		G	x5 Slat Support * x5 Support de lattes x5 Soporte de listones		H	x12 Allen bolt Ø5/16"*2" x12 Vis à tête creuse hexagonale Ø5/16"*2" x12 Perno Allen Ø5/16"*2"		I	x20 Lock washer Ø5/16" *Ø12*3mm x20 Rondelle de blocage Ø5/16" *Ø12*3mm x20 Arandela de Seguridad Ø5/16" *Ø12*3mm		J	x20 Flat Washer Ø5/16" x19x2mm x20 Rondelle plate Ø5/16" x19x2mm x20 Arandela plana Ø5/16" x19x2mm	K	x1 Allen Key 5mm * x1 Clé hexagonale 5mm x1 Llave Allen 5mm	L	x8 Ø5/16"3-1/2" Hanger Bolt * x8 Ø5/16"3-1/2" Boulon-vis x8 Ø5/16"3-1/2" Perno de suspension	M	x8 Ø5/16"*12 Nut * x8 Ø5/16"*12 Écrou x8 Ø5/16"*12 Tuercia	N	x1 12mm Open Wrench * x1 12mm Clé à fourche x1 12mm Llave de boca	O	x10 #8x1" Screw * x10 #8x1" Vis x10 #8x1" Tornillo

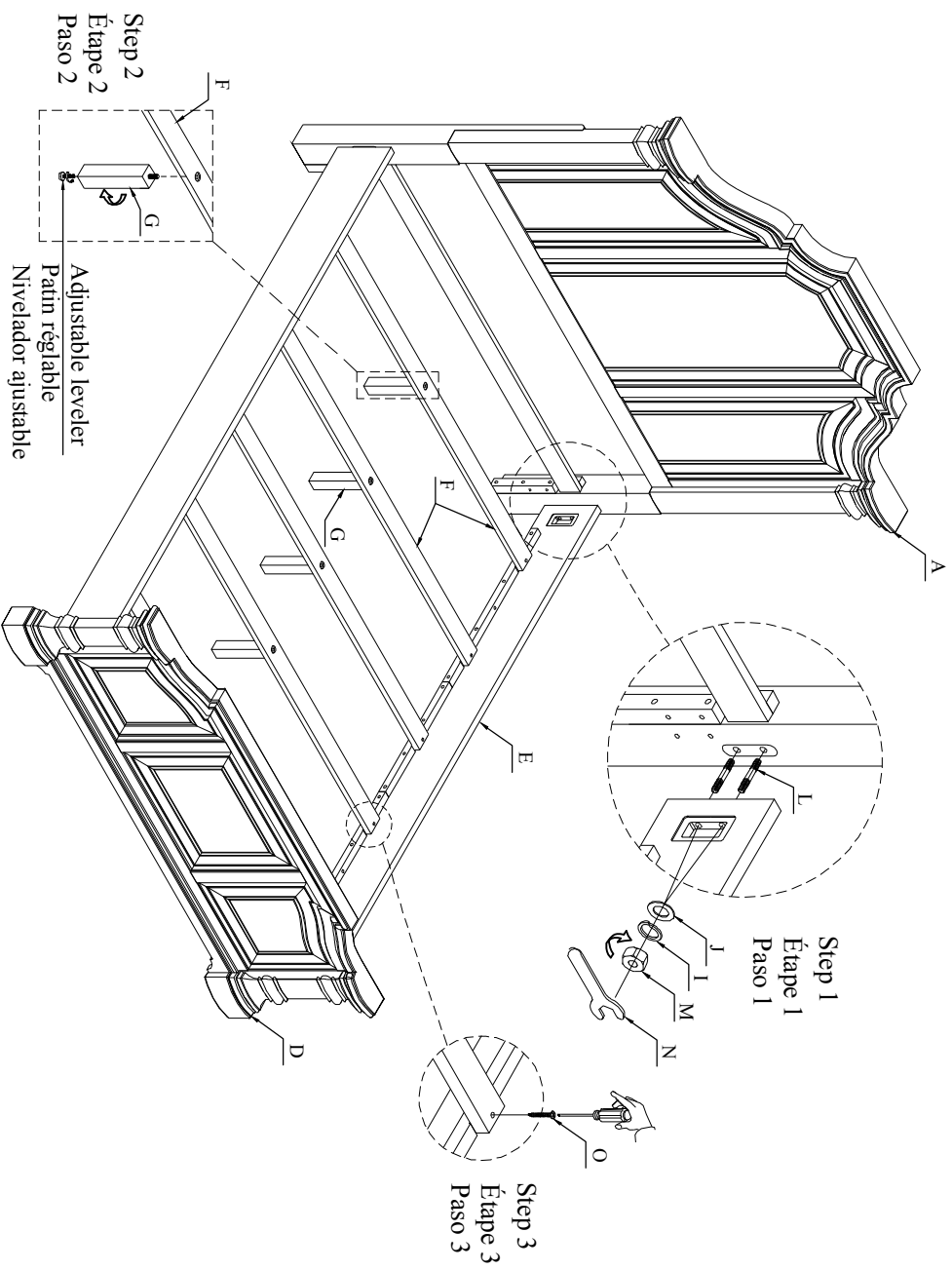
*Replaceable Part



ASSEMBLY INSTRUCTIONS/ NOTICE DE MONTAGE/ INSTRUCCIONES DE MONTAJE
ITEM NO./ARTICLE NO./ARTICULO NO: P330150 / P330152/ P330151
DESCRIPTION/ LA DESCRIPTION/ DESCRIPCIÓN:
P330150 5/0 5/0 Panel Headboard/Tête de grand lit en panneau/Cabecera estilo panel de 5/0
P330152 5/0-6/6 Set of Side Rails/Traverses de grand lit et très grand lit standard/Travesaños laterales de 5/0-6/6
P330151 5/0 Panel FB & Slats/Pied de grand lit en panneau avec banc de lit/Pie de cama estilo panel con listones de 5/0



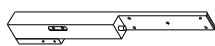
ASSEMBLY INSTRUCTIONS/ NOTICE DE MONTAGE/ INSTRUCCIONES DE MONTAJE
ITEM NO./ARTICLE NO./ARTICULO NO: P330150 / P330152/ P330151
DESCRIPTION/ LA DESCRIPTION/ DESCRIPCIÓN:
P330150 5/0 5/0 Panel Headboard/Tête de grand lit en panneau/Cabecera estilo panel de 5/0
P330152 5/0-6/6 Set of Side Rails/Traverses de grand lit et très grand lit standard/Travesaños laterales de 5/0-6/6
P330151 5/0 Panel FB & Slats/Pied de grand lit en panneau avec banc de lit/Pie de cama estilo panel con listones de 5/0



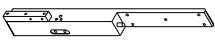
*Replaceable Part



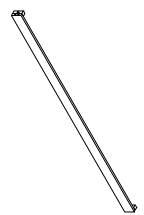
REPLACEABLE PART / PARTIE REMPLAÇABLE / PARTE REEMPLAZABLE
ITEM NO./ARTICLE NO./ARTICULO NO: P330150 / P330152/ P330151
DESCRIPTION/ LA DESCRIPTION/ DESCRIPCIÓN:
P330150 5/0 5/0 Panel Headboard/Tête de grand lit en panneau/Cabecera estilo panel de 5/0
P330152 5/0-6/6 Set of Side Rails/Traverses de grand lit et très grand lit standard/Travesaños laterales de 5/0-6/6
P330151 5/0 Panel FB & Slats/Pied de grand lit en panneau avec banc de lit/Pie de cama estilo panel con listones de 5/0



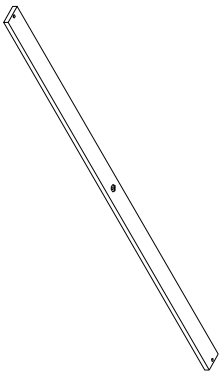
RP330150-LEGL *
 x1 Left Leg
 x1 Patte de gauche
 x1 Pata izquierda



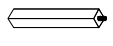
RP330150-LEGR *
 x1 Right Leg
 x1 Patte de droite
 x1 Pata derecha



RP330150-RAIL *
 x1 Support Rail
 x1 Rail de support
 x1 Riel de soporte



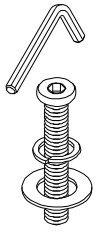
RP330151-SLAT *
 x5 Slat
 x5 Lattes
 x5 Listones



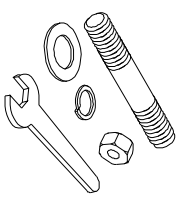
RP330151-SLLEG *
 x5 Slat Support
 x5 Support de lattes
 x5 Soporte de listones



RP330151-SCREW *
 x10 FB Screw
 x10 Vis
 x10 Tornillo



RP330150-HWKIT *
 x1 Hardware Kit
 x1 Liste des pièces de quincaillerie
 x1 Lista del kit de materiales



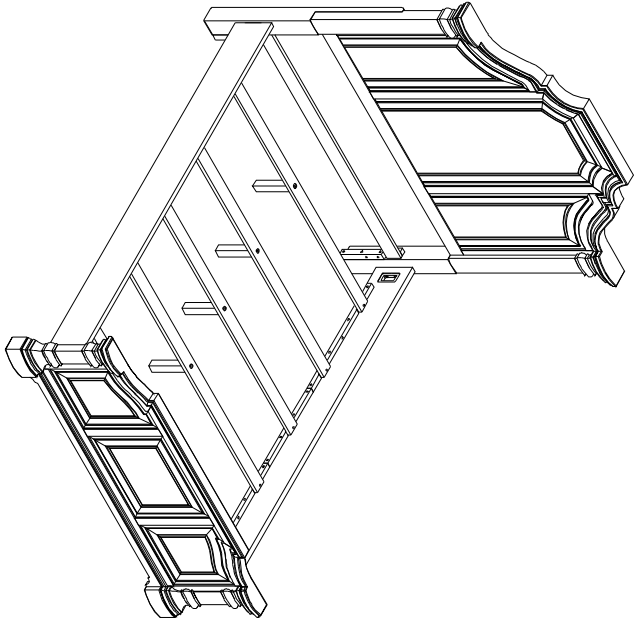
RP330152-HWKIT *
 x1 Hardware Kit
 x1 Liste des pièces de quincaillerie
 x1 Lista del kit de materiales



RC-FG-WHITE *
 x5 Common Adjustable Leveler
 x5 Patin réglable
 x5 Nivelador ajustable



RC-WHT-NAIL *
 x4 Plastic Nail
 x4 Clou
 x4 Clavo



*Replaceable Part

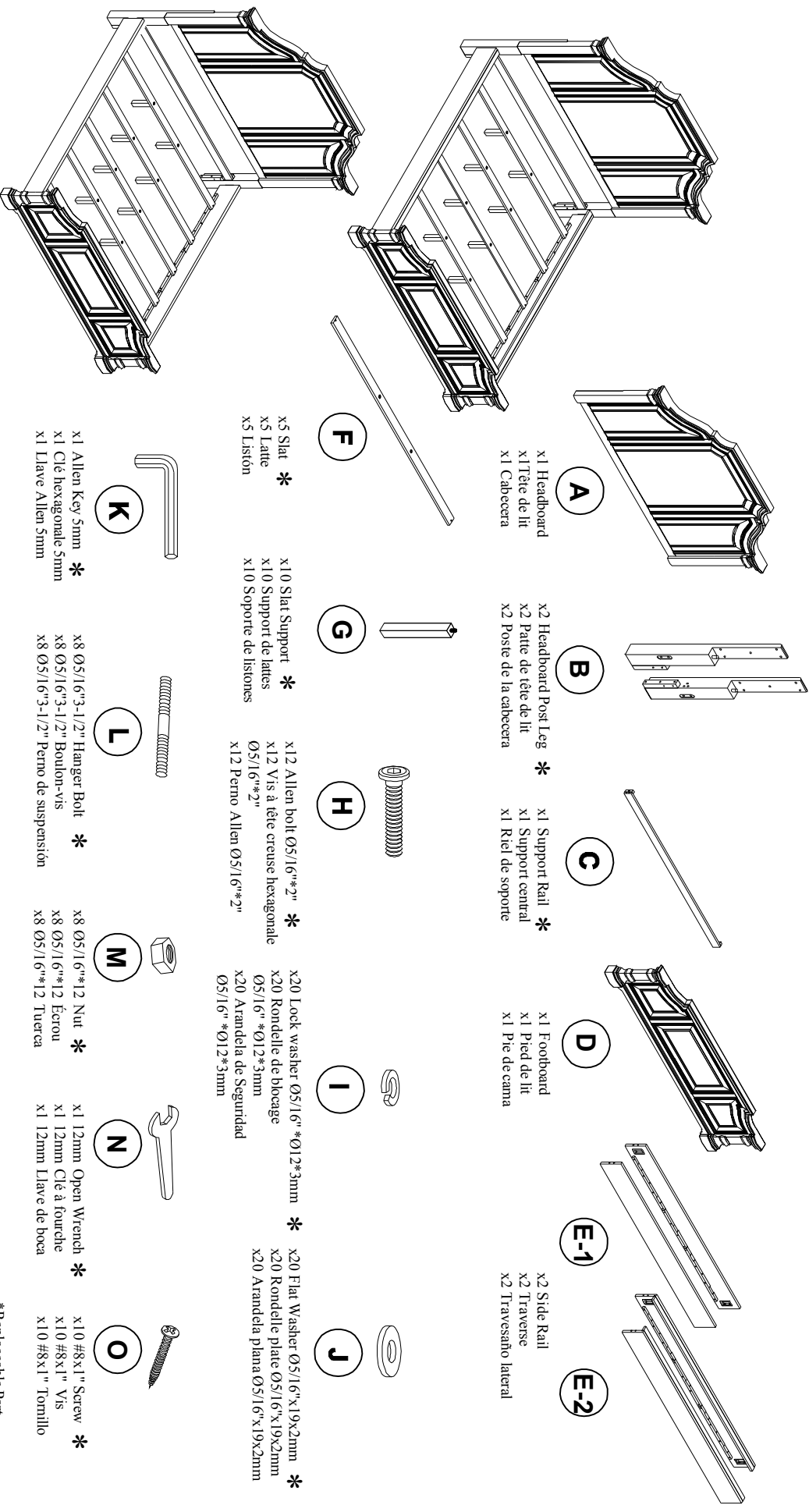


PARTS LIST / LISTE DES PIÈCES / LISTA DE PIEZAS

ITEM NO./ARTICLE NO./ARTICULO NO: P330160 / P330167/P330152/P330161

DESCRIPTION/ LA DESCRIPTION/ DESCRIPCIÓN:

P330160 6/6 Panel Headboard/Tête de très grand lit standard en panneau/Cabecera estilo panel de 6/6
P330167 6/0 Set of Side Rails/Traverses de très grand lit californien/Travesaños laterales de 6/0
P330152 5/0-6/6 Set of Side Rails/Traverses de grand lit et très grand lit standard/Travesaños laterales de 5/0-6/6
P330161 6/6 Panel FB & Slats/Pied de très grand lit standard en panneau avec banc de lit/Pie de cama estilo panel con listones de 6/6



A

x1 Headboard
x1 Tête de lit
x1 Cabecera

B

x2 Headboard Post Leg
x2 Patte de tête de lit
x2 Poste de la cabecera

C

x1 Support Rail
x1 Support central
x1 Riel de soporte

D

x1 Footboard
x1 Pied de lit
x1 Pie de cama

E-1

x2 Side Rail
x2 Traverse

E-2

x2 Travesaño lateral

F

x5 Slat
x5 Lattes
x5 Listón

G

x10 Slat Support
x10 Support de lattes
x10 Soporte de listones

H

x12 Allen bolt Ø5/16"*2"
x12 Vis à tête creuse hexagonale Ø5/16"*2"
x12 Perno Allen Ø5/16"*2"

I

x20 Lock washer Ø5/16" *Ø12*3mm
x20 Rondelle de blocage Ø5/16" *Ø12*3mm
x20 Arandela de Seguridad Ø5/16" *Ø12*3mm

J

x20 Flat Washer Ø5/16"x19x2mm
x20 Rondelle plate Ø5/16"x19x2mm
x20 Arandela plana Ø5/16"x19x2mm

K

x1 Allen Key 5mm
x1 Clé hexagonale 5mm
x1 Llave Allen 5mm

L

x8 Ø5/16"x3-1/2" Hanger Bolt
x8 Ø5/16"x3-1/2" Boulon-vis
x8 Ø5/16"x3-1/2" Perno de suspension

M

x8 Ø5/16"x12 Nut
x8 Ø5/16"x12 Écrou
x8 Ø5/16"x12 Tuercas

N

x1 12mm Open Wrench
x1 12mm Clé à fourche
x1 12mm Llave de boca

O

x10 #8x1" Screw
x10 #8x1" Vis
x10 #8x1" Tornillo

*Replaceable Part



ASSEMBLY INSTRUCTIONS/ NOTICE DE MONTAGE/ INSTRUCCIONES DE MONTAJE

ITEM NO./ARTICLE NO./ARTICULO NO.: P330160 / P330167/P330152/P330161

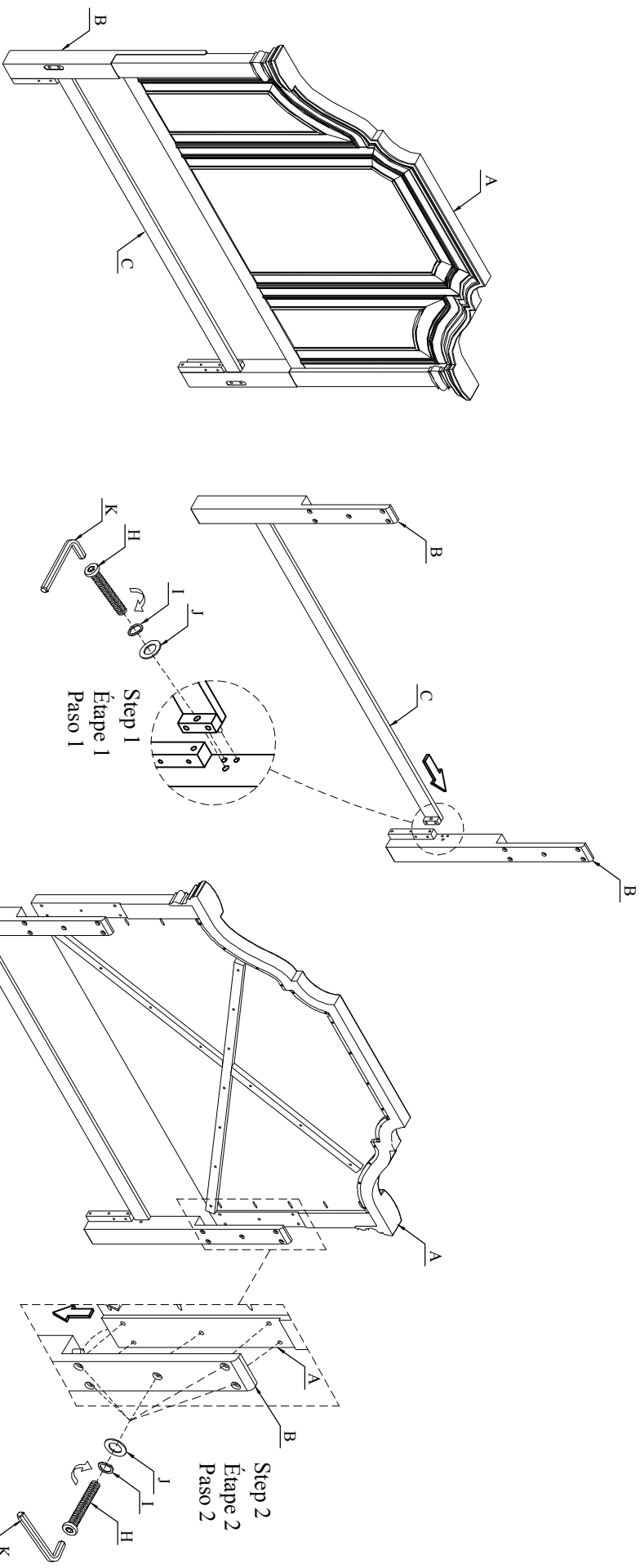
DESCRIPTION/ LA DESCRIPTION/ DESCRIPCIÓN:

P330160 6/6 Panel Headboard/Tête de très grand lit standard en panneau/Cabecera estilo panel de 6/6

P330167 6/0 Set of Side Rails/Traverses de très grand lit californien/Travesaños laterales de 6/0

P330152 5/0-6/6 Set of Side Rails/Traverses de grand lit et très grand lit standard/Travesaños laterales de 5/0-6/6

P330161 6/6 Panel FB & Slats/Pied de très grand lit standard en panneau avec banc de lit/Pie de cama estilo panel con listones de 6/6



*Replaceable Part



ASSEMBLY INSTRUCTIONS/ NOTICE DE MONTAGE/ INSTRUCCIONES DE MONTAJE

ITEM NO./ARTICLE NO./ARTICULO NO: P330160 / P330167/P330152/P330161

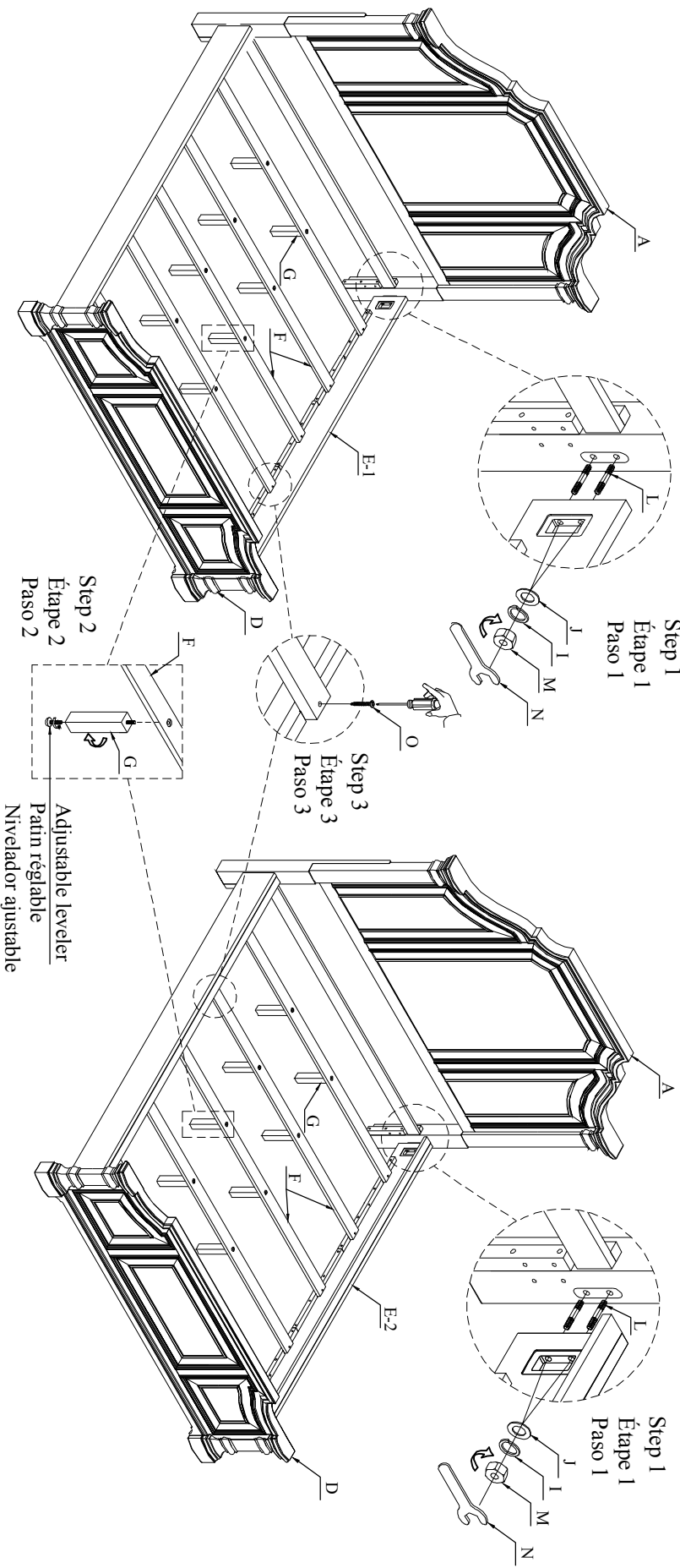
DESCRIPTION/ LA DESCRIPTION/ DESCRIPCIÓN:

P330160 6/6 Panel Headboard/Tête de très grand lit standard en panneau/Cabecera estilo panel de 6/6

P330167 6/0 Set of Side Rails/Traverses de très grand lit californien/Travesaños laterales de 6/0

P330152 5/0-6/6 Set of Side Rails/Traverses de grand lit et très grand lit standard/Travesaños laterales de 5/0-6/6

P330161 6/6 Panel FB & Slats/Pied de très grand lit standard en panneau avec banc de lit/Pie de cama estilo panel con listones de 6/6



*Replaceable Part



REPLACEABLE PART / PARTIE REMPLAÇABLE / PARTE REMPLAZABLE

ITEM NO./ARTICLE NO./ARTICULO NO: P330160 / P330167/P330152/P330161

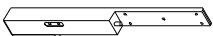
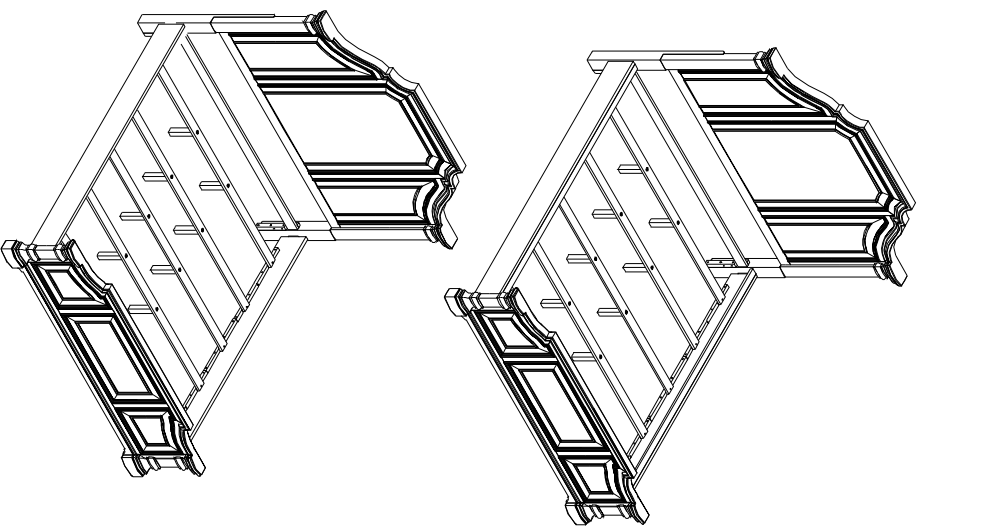
DESCRIPTION/ LA DESCRIPTION/ DESCRIPCIÓN:

P330160 6/6 Panel Headboard/Tête de très grand lit standard en panneau/Cabecera estilo panel de 6/6

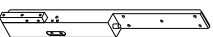
P330167 6/0 Set of Side Rails/Traverses de très grand lit californien/Travesaños laterales de 6/0

P330152 5/0-6/6 Set of Side Rails/Traverses de grand lit et très grand lit standard/Travesaños laterales de 5/0-6/6

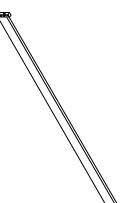
P330161 6/6 Panel FB & Slats/Pied de très grand lit standard en panneau avec banc de lit/Pie de cama estilo panel con listones de 6/6



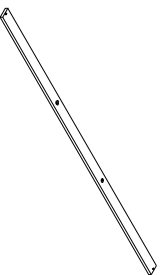
- RP330160-LEGL ***
- x1 Left Leg
- x1 Pate de gauche
- x1 Pata izquierda



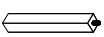
- RP330160-LEGR ***
- x1 Right Leg
- x1 Pate de droite
- x1 Pata derecha



- RP330160-RAIL ***
- x1 Support Rail
- x1 Rail de support
- x1 Riel de soporte



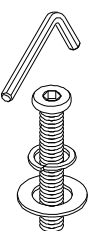
- RP330161-SL-AT ***
- x5 Slat
- x5 Lattes
- x5 Listones



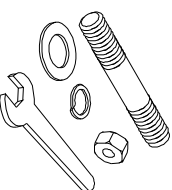
- RP330161-SU-LEG ***
- x10 Slat Support
- x10 Support de lattes
- x10 Soporte de listones



- RP330161-SCREW ***
- x10 FB Screw
- x10 Vis
- x10 Tornillo



- RP330160-HWKIT ***
- x1 Hardware Kit
- x1 Liste des pièces de quincaillerie
- x1 Lista del kit de materiales



- RP330152-HWKIT ***
- x1 Hardware Kit
- x1 Liste des pièces de quincaillerie
- x1 Lista del kit de materiales



- RC-FG-WHITE ***
- x10 Common Adjustable Leveler
- x10 Patin réglable
- x10 Nivelador ajustable

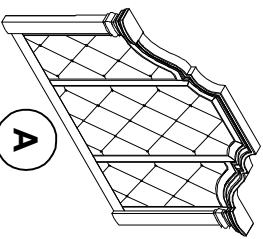


- RC-WHT-NAIL ***
- x4 Plastic Nail
- x4 Clou
- x4 Clavo

***Replaceable Part**



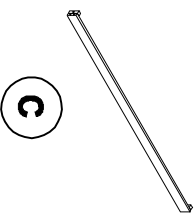
PARTS LIST / LISTE DES PIÈCES / LISTA DE PIEZAS
ITEM NO./ARTICLE NO./ARTICULO NO: P330170 / P330152/ P330174
DESCRIPTION/ LA DESCRIPTION/ DESCRIPCIÓN:
P330170 5/0 UPH Headboard/Tête de grand lit capitonné/Cabecera tapizada de 5/0
P330152 5/0-6/6 Set of Side Rails/Traversees de grand lit et très grand lit standard/Travesaños laterales de 5/0-6/6
P330174 5/0 Storage FB & Slats/Pied de grand lit avec rangement (avec lattes)/Pie de cama 5/0 con almacenamiento (con listones)



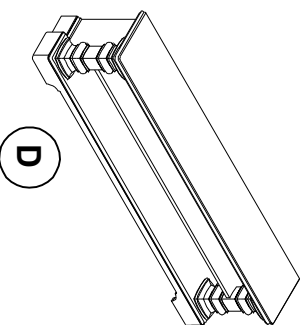
- x1 Headboard
- x1 Tête de lit
- x1 Cabecera



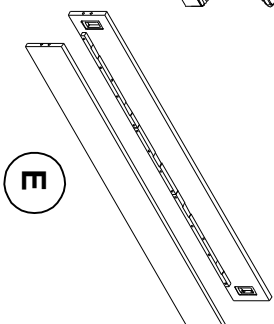
- x2 Headboard Post Leg *
- x2 Patte de tête de lit
- x2 Poste de la cabecera



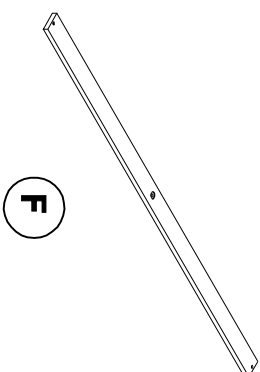
- x1 Support Rail *
- x1 Support central
- x1 Riel de soporte



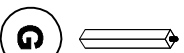
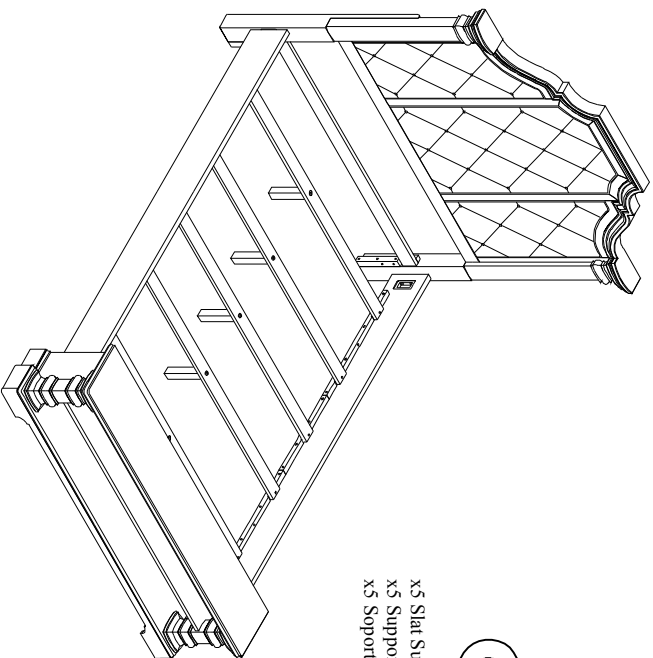
- x1 Footboard
- x1 Pied de lit
- x1 Pie de cama



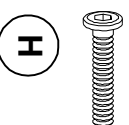
- x2 Side Rail
- x2 Traverse
- x2 Travesaño lateral



- x5 Slat *
- x5 Lattes
- x5 Listón



- x5 Slat Support *
- x5 Support de lattes
- x5 Soporte de listones



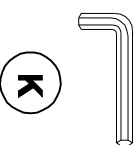
- x12 Allen bolt Ø5/16"*2"
- x12 Vis à tête creuse hexagonale Ø5/16"*2"
- x12 Perno Allen Ø5/16"*2"



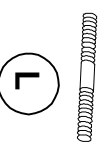
- x20 Lock washer Ø5/16"*Ø12*3mm
- x20 Rondelle de blocage Ø5/16"*Ø12*3mm
- x20 Arandela de Seguridad Ø5/16"*Ø12*3mm



- x20 Flat Washer Ø5/16"x19x2mm
- x20 Rondelle plate Ø5/16"x19x2mm
- x20 Arandela plana Ø5/16"x19x2mm



- x1 Allen Key 5mm *
- x1 Clé hexagonale 5mm
- x1 Llave Allen 5mm



- x8 Ø5/16*3-1/2" Hanger Bolt *
- x8 Ø5/16*3-1/2" Boulon-Vis
- x8 Ø5/16*3-1/2" Perno de suspension



- x8 Ø5/16"*12 Nut *
- x8 Ø5/16"*12 Écrou
- x8 Ø5/16"*12 Tuerca



- x1 12mm Open Wrench *
- x1 12mm Clé à fourche
- x1 12mm Llave de boca



- x10 #8x1" Screw *
- x10 #8x1" Vis
- x10 #8x1" Tornillo

*Replaceable Part



ASSEMBLY INSTRUCTIONS/ NOTICE DE MONTAGE/ INSTRUCCIONES DE MONTAJE

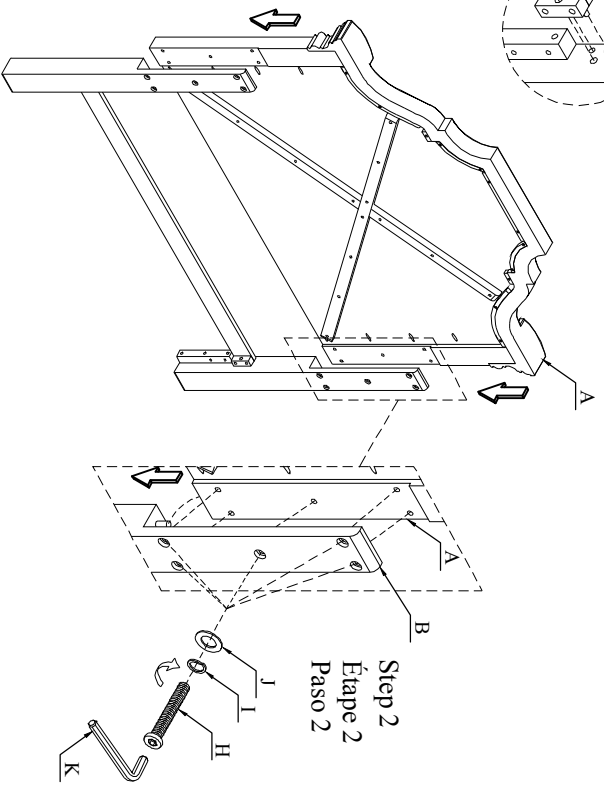
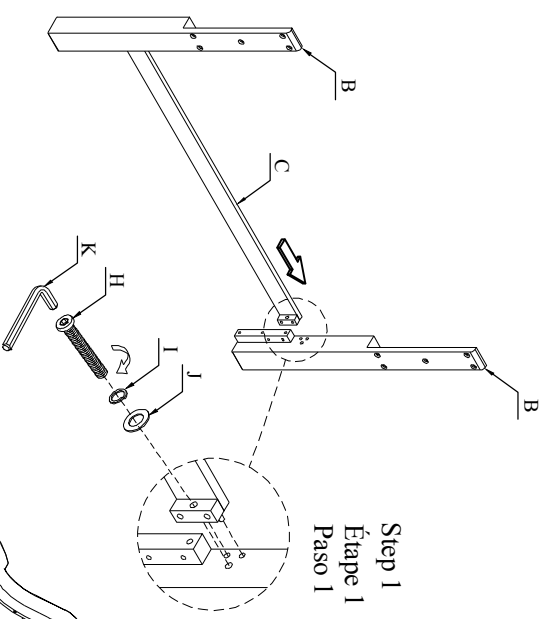
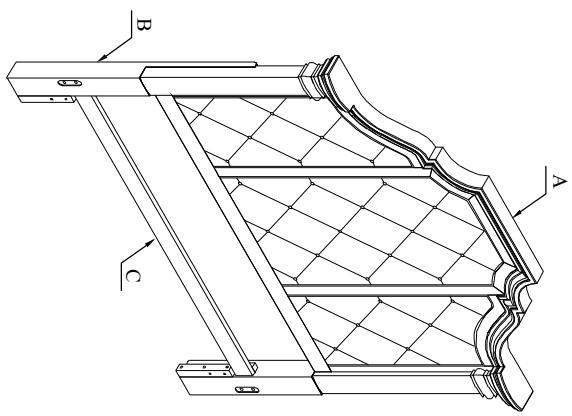
ITEM NO./ARTICLE NO./ARTICULO NO: P330170 / P330152/ P330174

DESCRIPTION/ LA DESCRIPTION/ DESCRIPCIÓN:

P330170 5/0 UPH Headboard/Tête de grand lit capitonnée/Cabecera tapizada de 5/0

P330152 5/0-6/6 Set of Side Rails/Traverses de grand lit et très grand lit standard/Travesaños laterales de 5/0-6/6

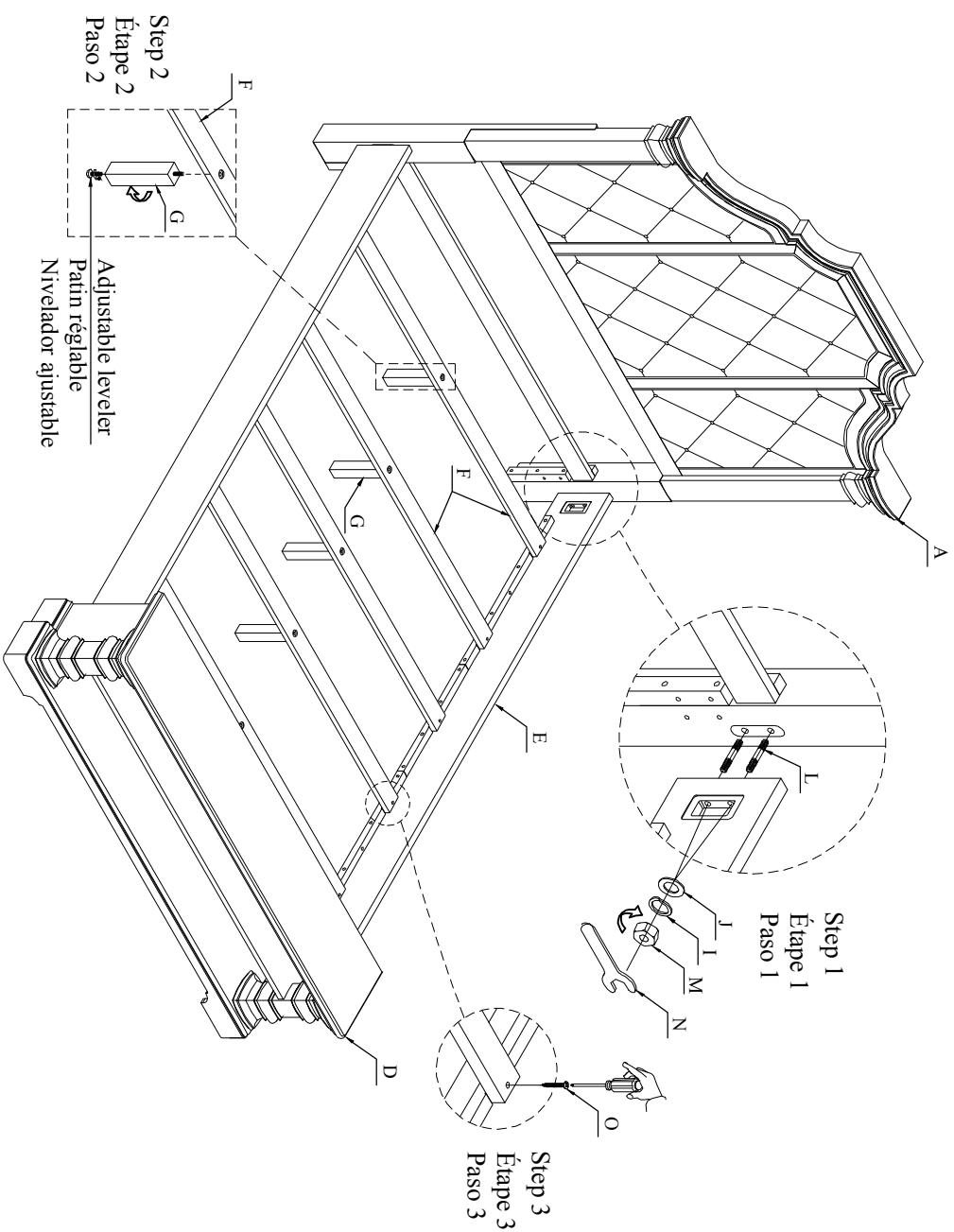
P330174 5/0 Storage FB & Slats/Pied de grand lit avec rangement (avec lattes)/Pie de cama 5/0 con almacenamiento (con listones)



*Replaceable Part



ASSEMBLY INSTRUCTIONS/ NOTICE DE MONTAGE/ INSTRUCCIONES DE MONTAJE
ITEM NO./ARTICLE NO./ARTICULO NO: P330170 / P330152/ P330174
DESCRIPTION/ LA DESCRIPTION/ DESCRIPCIÓN:
P330170 5/0 UPH Headboard/Tête de grand lit capitonné/Cabeceira tapizada de 5/0
P330152 5/0-6/6 Set of Side Rails/Traverses de grand lit et très grand lit standard/Travesaños laterales de 5/0-6/6
P330174 5/0 Storage FB & Slats/Pied de grand lit avec rangement (avec lattes)/Pie de cama 5/0 con almacenamiento (con listones)



*Replaceable Part



REPLACEABLE PART / PARTIE REMPLAÇABLE / PARTE REMPLAZABLE

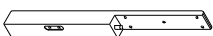
ITEM NO./ARTICLE NO./ARTICULO NO: P330170 / P330152/ P330174

DESCRIPTION/ LA DESCRIPTION/ DESCRIPCIÓN:

P330170 5/0 UPH Headboard/Tête de grand lit capitonnée/Cabecera tapizada de 5/0

P330152 5/0-6/6 Set of Side Rails/Traverses de grand lit et très grand lit standard/Travesaños laterales de 5/0-6/6

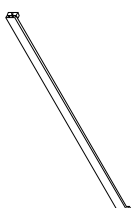
P330174 5/0 Storage FB & Slats/Pied de grand lit avec rangement (avec lattes)/Pie de cama 5/0 con almacenamiento (con listones)



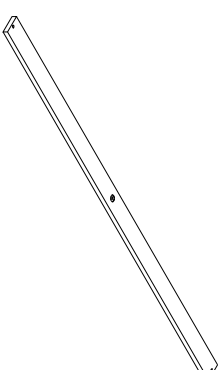
RP330170-LEGL *
x1 Left Leg
x1 Patte de gauche
x1 Pata izquierda



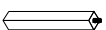
RP330170-LEGR *
x1 Right Leg
x1 Patte de droite
x1 Pata derecha



RP330170-RAIL *
x1 Support Rail
x1 Rail de support
x1 Riel de soporte



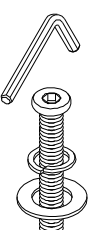
RP330174-SLAT *
x5 Slat
x5 Lattes
x5 Listones



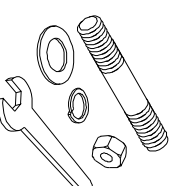
RP330174-SULLEG *
x5 Slat Support
x5 Support de lattes
x5 Soporte de listones



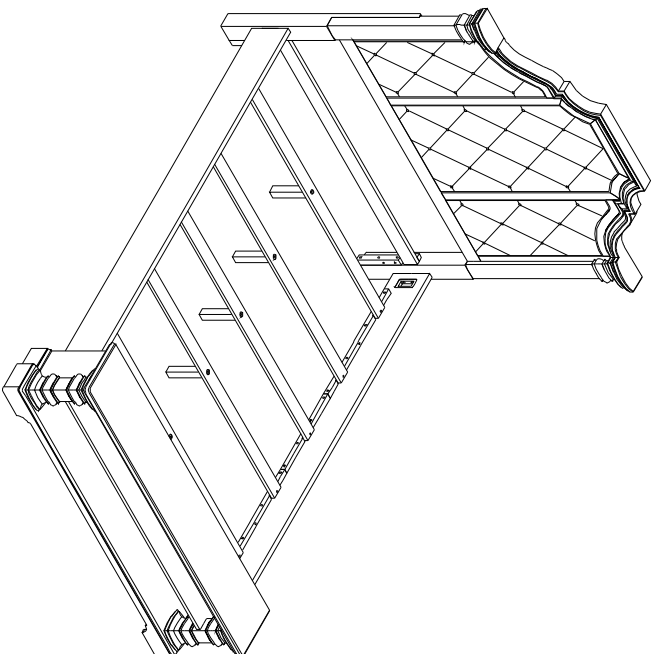
RP330174-SCREW *
x10 FB Screw
x10 Vis
x10 Tornillo



RP330170-HWKIT *
x1 Hardware Kit
x1 Liste des pièces de quincaillerie
x1 Lista del kit de materiales



RP330152-HWKIT *
x1 Hardware Kit
x1 Liste des pièces de quincaillerie
x1 Lista del kit de materiales



RC-FG-WHITE *
x5 Common Adjustable Leveler
x5 Patin réglable
x5 Nivelador ajustable



RC-WHT-NAIL *
x6 Plastic Nail
x6 Clou
x6 Clavo

***Replaceable Part**



PARTS LIST / LISTE DES PIÈCES / LISTA DE PIEZAS

ITEM NO./ARTICLE NO./ARTICULO NO: P330180 / P330167/P330152/P330184

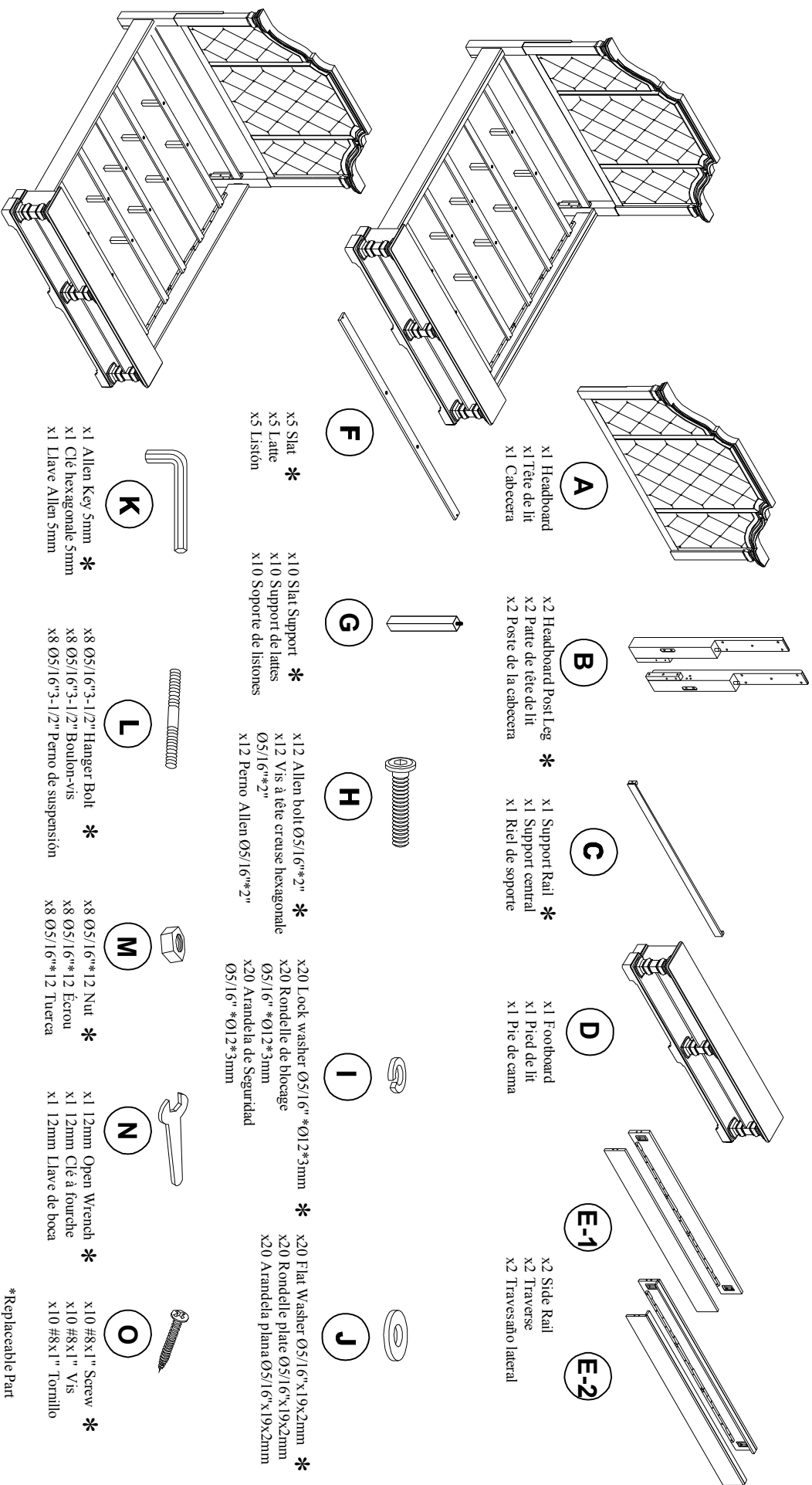
DESCRIPTION / LA DESCRIPTION / DESCRIPCIÓN:

P330180 6/6-6/0 UPH Headboard/Tête de très grand lit standard et californien capitonnée/Cabecera de cama tapizada de 6/6-6/0

P330167 6/0 Set of Side Rails/Traverses de très grand lit californien/Travesaños laterales de 6/0

P330152 5/0-6/6 Set of Side Rails/Traverses de grand lit et très grand lit standard/Travesaños laterales de 5/0-6/6

P330184 6/6-6/0 Storage FB & Slats/Pied de très grand lit standard et californien avec rangement (avec lattes)/Pie de cama 6/6-6/0 con almacenamiento (con listones)



A
x1 Headboard
x1 Tête de lit
x1 Cabecera

B
x2 Headboard Post Leg
x2 Patte de tête de lit
x2 Poste de la cabecera

C
x1 Support Rail
x1 Support central
x1 Riel de soporte

D
x1 Footboard
x1 Pied de lit
x1 Pie de cama

E-1
x2 Side Rail
x2 Traverses
x2 Travesaño lateral

A

B

C

D

E-1

E-2

F

x5 Slat
x5 Lattes
x5 Listón

G

x10 Slat Support
x10 Support de lattes
x10 Soporte de listones

H

x12 Allen bolt Ø5/16" *2"
x12 Vis à tête creuse hexagonale Ø5/16" *2"
x12 Perno Allen Ø5/16" *2"

I

x20 Lock washer Ø5/16" *Ø12*3mm
x20 Rondelle de blocage Ø5/16" *Ø12*3mm
x20 Arandela de Seguridad Ø5/16" *Ø12*3mm

J

x20 Flat Washer Ø5/16" x19x2mm
x20 Rondelle plate Ø5/16" x19x2mm
x20 Arandela plana Ø5/16" x19x2mm

K

x1 Allen Key 5mm
x1 Clé hexagonale 5mm
x1 Llave Allen 5mm

L

x8 Ø5/16" *3-1/2" Hanger Bolt
x8 Ø5/16" *3-1/2" Boulon-vis
x8 Ø5/16" *3-1/2" Perno de suspension

M

x8 Ø5/16" *12 Nut
x8 Ø5/16" *12 Ecou
x8 Ø5/16" *12 Tuercia

N

x1 12mm Open Wrench
x1 12mm Clé à fourche
x1 12mm Llave de boca

O

x10 #8x1" Screw
x10 #8x1" Vis
x10 #8x1" Tornillo

* Replaceable Part



ASSEMBLY INSTRUCTIONS/ NOTICE DE MONTAGE/ INSTRUCCIONES DE MONTAJE

ITEM NO./ARTICLE NO./ARTICULO NO.: P330180 / P330167/P330152/P330184

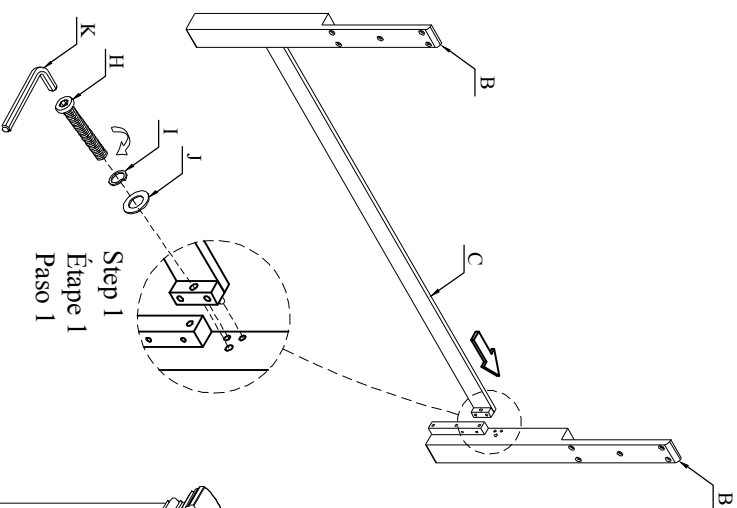
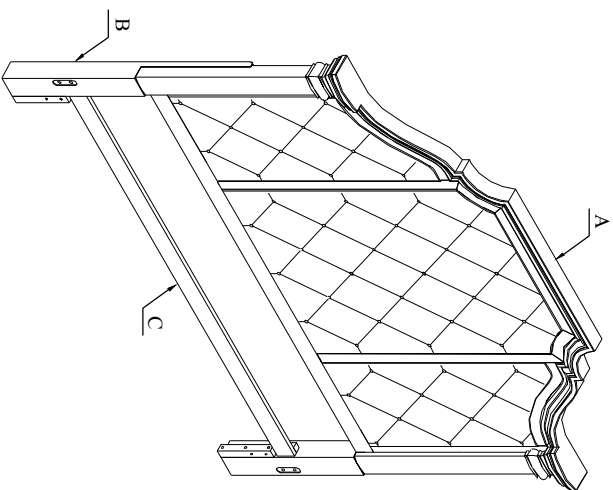
DESCRIPTION/ LA DESCRIPTION/ DESCRIPCIÓN:

P330180 6/6-6/0 UPH Headboard/Tête de très grand lit standard et californien capitonnée/Cabecera de cama tapizada de 6/6-6/0

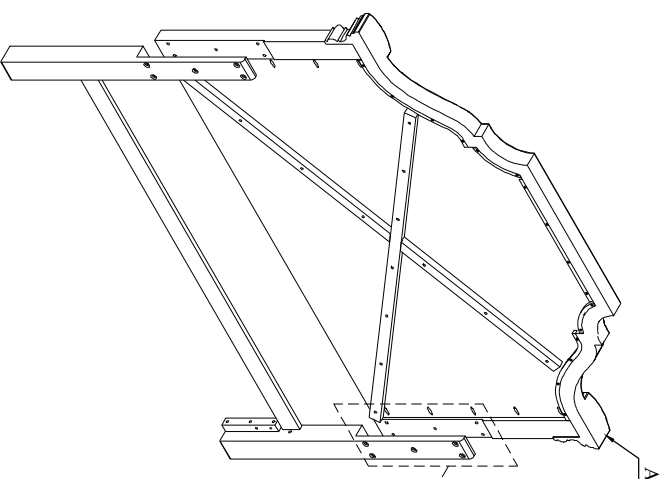
P330167 6/0 Set of Side Rails/Traverses de très grand lit californien/Travesaños laterales de 6/0

P330152 5/0-6/6 Set of Side Rails/Traverses de grand lit et très grand lit standard/Travesaños laterales de 5/0-6/6

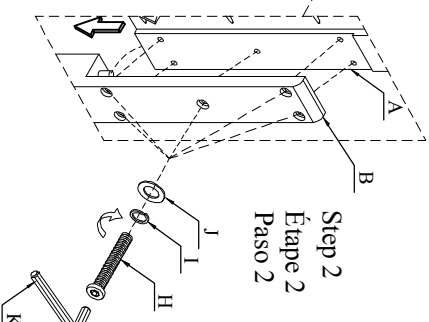
P330184 6/6-6/0 Storage FB & Slats/Pied de très grand lit standard et californien avec rangement (avec lattes)/Pie de cama 6/6-6/0 con almacenamiento (con listones)



Step 1
Étape 1
Paso 1



Step 2
Étape 2
Paso 2



*Replaceable Part



ASSEMBLY INSTRUCTIONS/ NOTICE DE MONTAGE/ INSTRUCCIONES DE MONTAJE

ITEM NO./ARTICLE NO./ARTICULO NO: P330180 / P330167/P330152/P330184

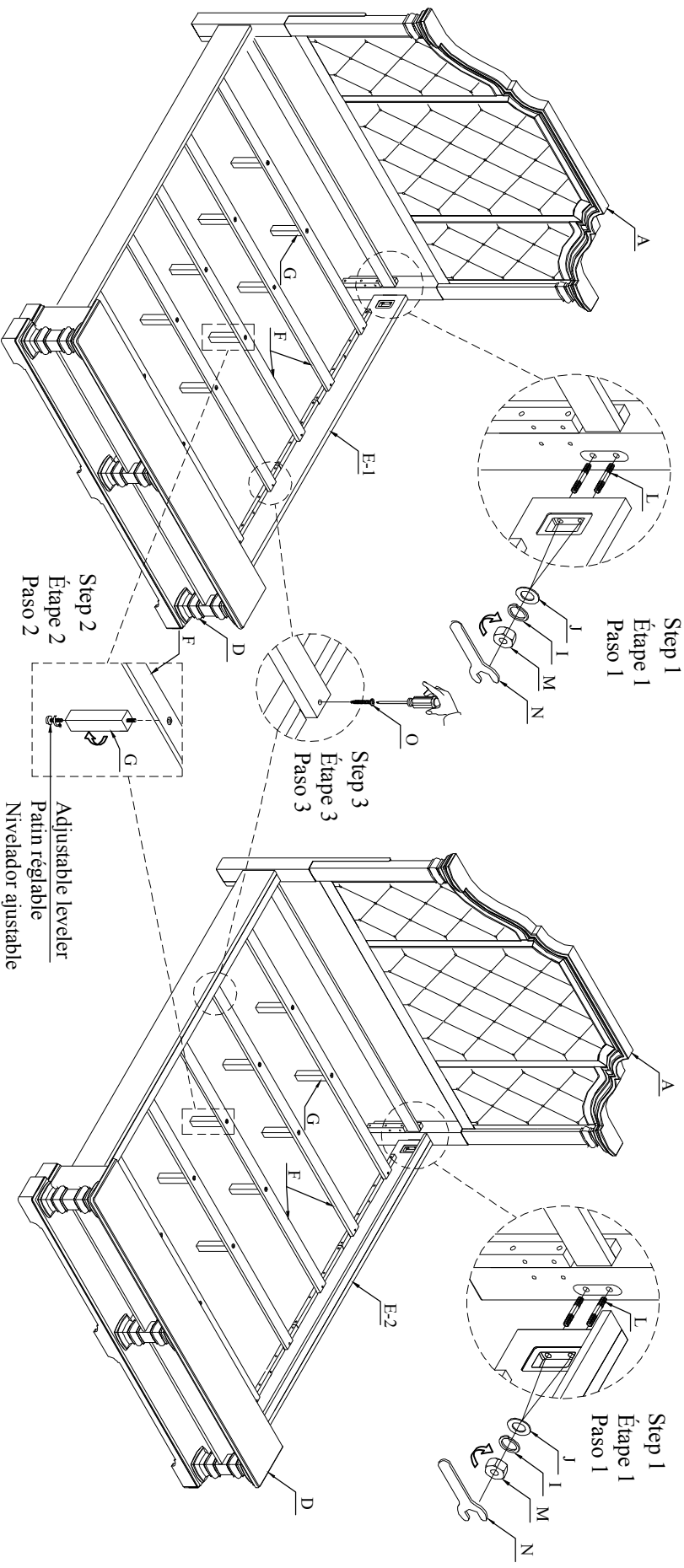
DESCRIPTION/ LA DESCRIPTION/ DESCRIPCIÓN:

P330180 6/6-6/0 UPH Headboard/Tête de très grand lit standard et californien capitoné/Cabecera de cama tapizada de 6/6-6/0

P330167 6/0 Set of Side Rails/Traverses de très grand lit californien/Travesaños laterales de 6/0

P330152 5/0-6/6 Set of Side Rails/Traverses de grand lit et très grand lit standard/Travesaños laterales de 5/0-6/6

P330184 6/6-6/0 Storage FB & Slats/Pied de très grand lit standard et californien avec rangement (avec lattes)/Pie de cama 6/6-6/0 con almacenamiento (con listones)



*Replaceable Part



REPLACEABLE PART / PARTIE REMPLAÇABLE / PARTE REEMPLAZABLE

ITEM NO./ARTICLE NO./ARTICULO NO: P330180 / P330167/P330152/P330184

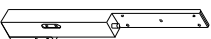
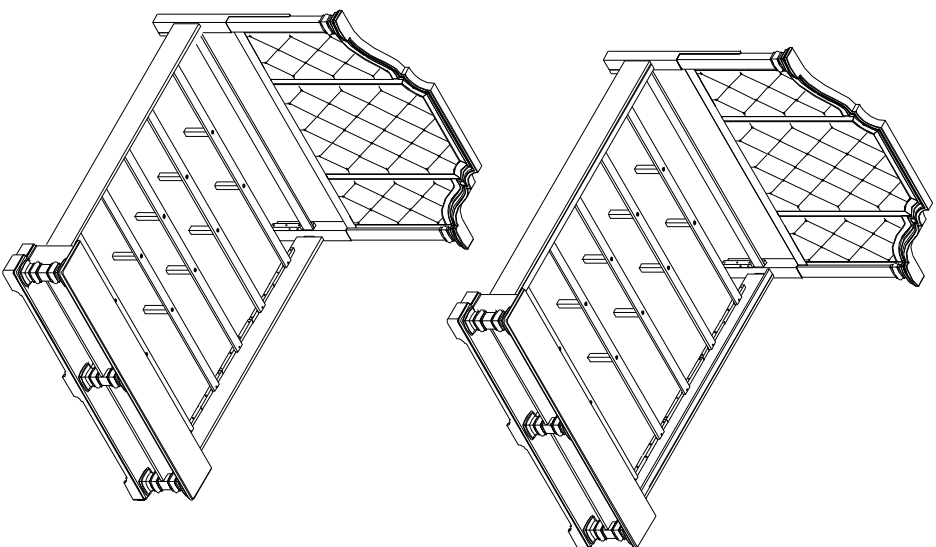
DESCRIPTION/ LA DESCRIPTION/ DESCRIPCIÓN:

P330180 6/6-6/0 UPH Headboard/Tête de très grand lit standard et californien capitonnée/Cabecera de cama tapizada de 6/6-6/0

P330167 6/0 Set of Side Rails/Traverses de très grand lit californien/Travesaños laterales de 6/0

P330152 5/0-6/6 Set of Side Rails/Traverses de grand lit et très grand lit standard/Travesaños laterales de 5/0-6/6

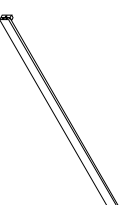
P330184 6/6-6/0 Storage FB & Slats/Pied de très grand lit standard et californien avec rangement (avec lattes)/Pie de cama 6/6-6/0 con almacenamiento (con listones)



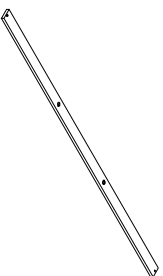
RP330180-LEGL *
x1 Left Leg
x1 Pate de gauche
x1 Pata izquierda



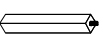
RP330180-LEGR *
x1 Right Leg
x1 Pate de droite
x1 Pata derecha



RP330180-RAIL *
x1 Support Rail
x1 Rail de support
x1 Riel de soporte



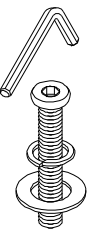
RP330184-SLAT *
x5 Slat
x5 Lattes
x5 Listones



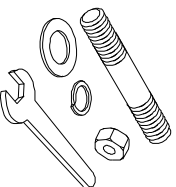
RP330184-SULEG *
x10 Slat Support
x10 Support de lattes
x10 Soporte de listones



RP330184-SCREW *
x10 FB Screw
x10 Vis
x10 Tornillo



RP330180-HWKIT *
x1 Hardware Kit
x1 Liste des pièces de quincaillerie
x1 Lista del kit de materiales



RP330152-HWKIT *
x1 Hardware Kit
x1 Liste des pièces de quincaillerie
x1 Lista del kit de materiales



RC-FG-WHITE *
x10 Common Adjustable Leveler
x10 Patin réglable
x10 Nivelador ajustable

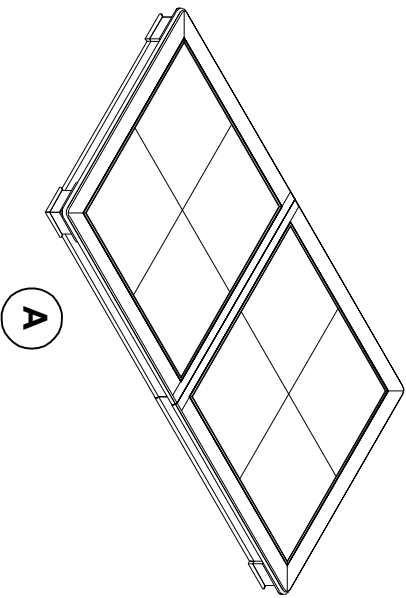
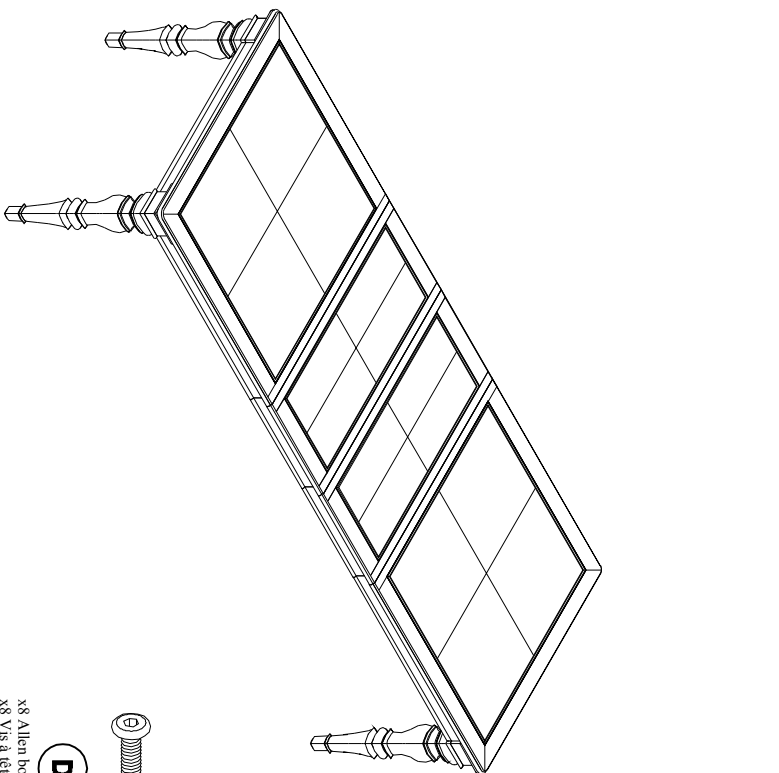


RC-WHT-NAIL *
x7 Plastic Nail
x7 Clou
x7 Clavo

* Replaceable Part

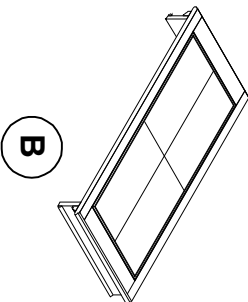


PARTS LIST / LISTE DES PIÈCES / LISTA DE PIEZAS
ITEM NO./ARTICLE NO./ARTICULO NO: P330240
DESCRIPTION/ LA DESCRIPTION/ DESCRIPCIÓN: Leg Table/ Patte de table/ Pata de mesa



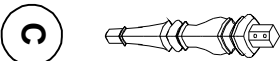
A

- x1 Dining Table Top
- x1 Dessus de table
- x1 Tablero de mesa de comedor



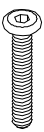
B

- x2 Leaf
- x2 Rallonge
- x2 Extension



C

- x4 Table Leg *
- x4 Patte de table
- x4 Pata de mesa



D

- x8 Allen bolt 05/16" *2-1/2" *
- x8 Vis à tête creuse hexagonale 05/16" *2-1/2"
- x8 Perno Allen 05/16" *2-1/2"



E

- x8 Lock washer 05/16" *Q12*3mm *
- x8 Rondelle de blocage 05/16" *Q12*3mm
- x8 Arandela de Seguridad 05/16" *Q12*3mm



F

- x8 Flat Washer 05/16" *x19x2mm *
- x8 Rondelle plate 05/16" *x19x2mm
- x8 Arandela plana 05/16" *x19x2mm

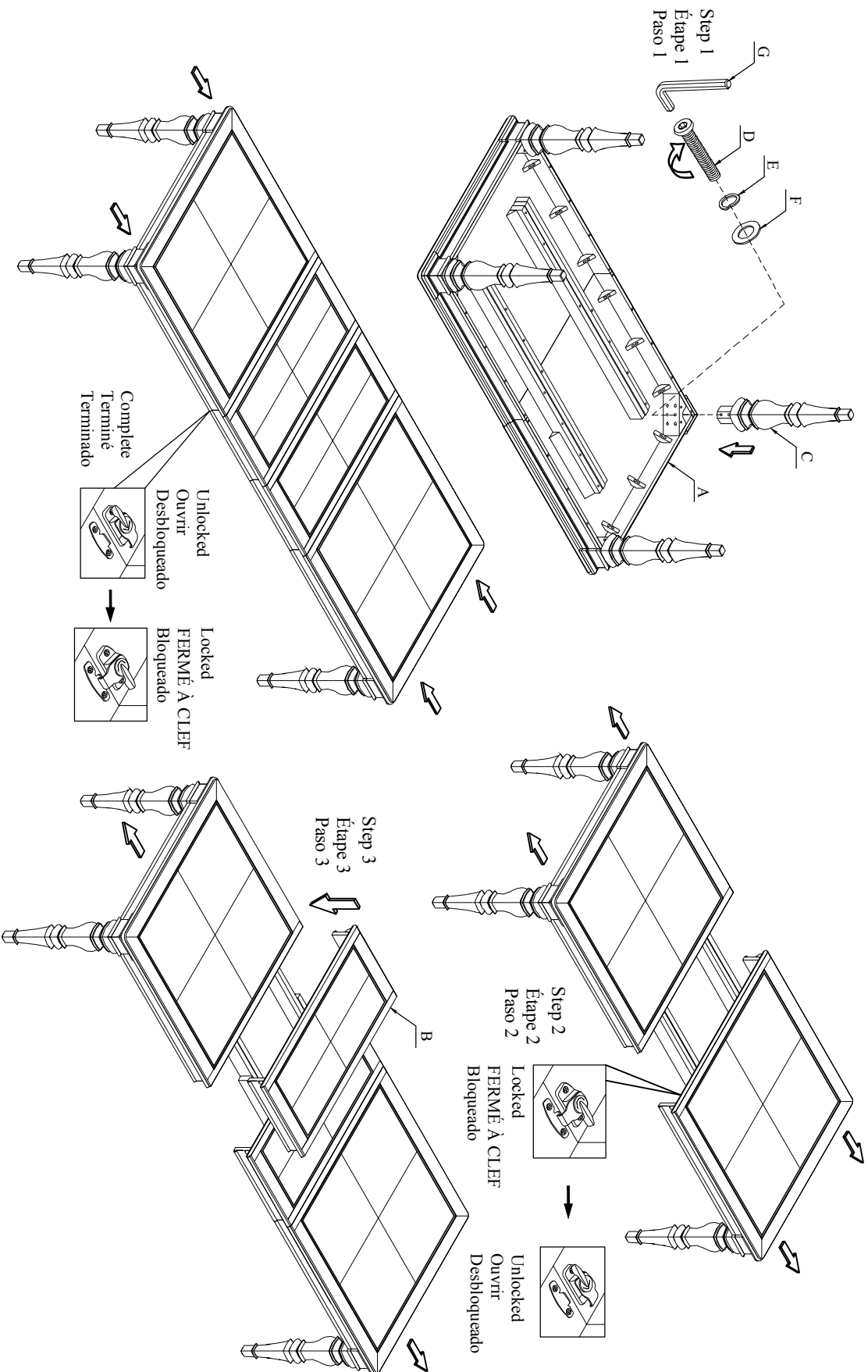


G

- x1 Allen Key 5mm *
- x1 Cle hexagonale 5mm
- x1 Llave Allen 5mm

*Replaceable Part

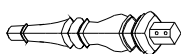
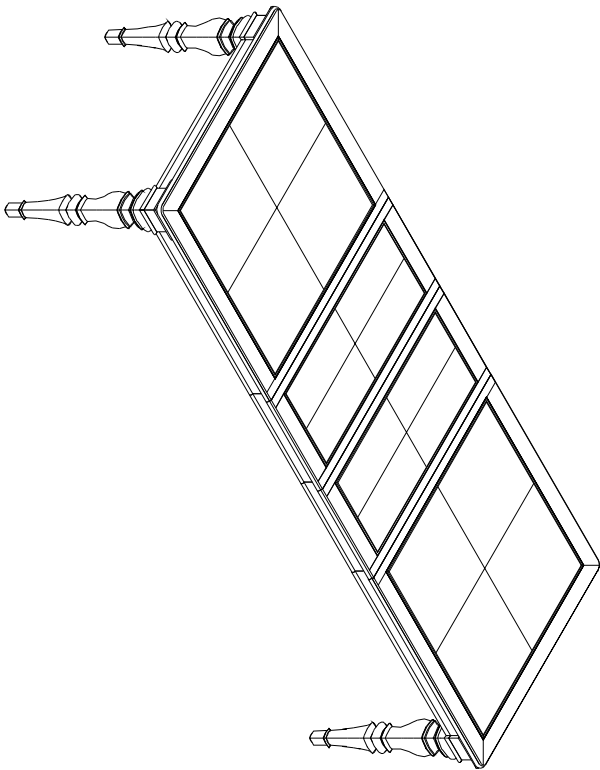
ASSEMBLY INSTRUCTIONS/ NOTICE DE MONTAGE/ INSTRUCCIONES DE MONTAJE
ITEM NO./ARTICLE NO./ARTICULO NO.: P330240
DESCRIPTION/ LA DESCRIPTION/ DESCRIPCIÓN: Leg Table/ Patte de table/ Pata de mesa



*Replaceable Part



REPLACEABLE PART / PARTIE REMPLAÇABLE / PARTE REMPLAZABLE
ITEM NO./ARTICLE NO./ARTICULO NO.: P330240
DESCRIPTION/ LA DESCRIPTION/ DESCRIPCIÓN: Leg Table/ Patte de table/ Pata de mesa



RP330240 LEG *
x4 Table Leg
x4 Patte de table
x4 Pata de mesa



RP330240-HWKIT *
x1 Hardware Kit
x1 Liste des pièces de quincaillerie
x1 Lista de materiales

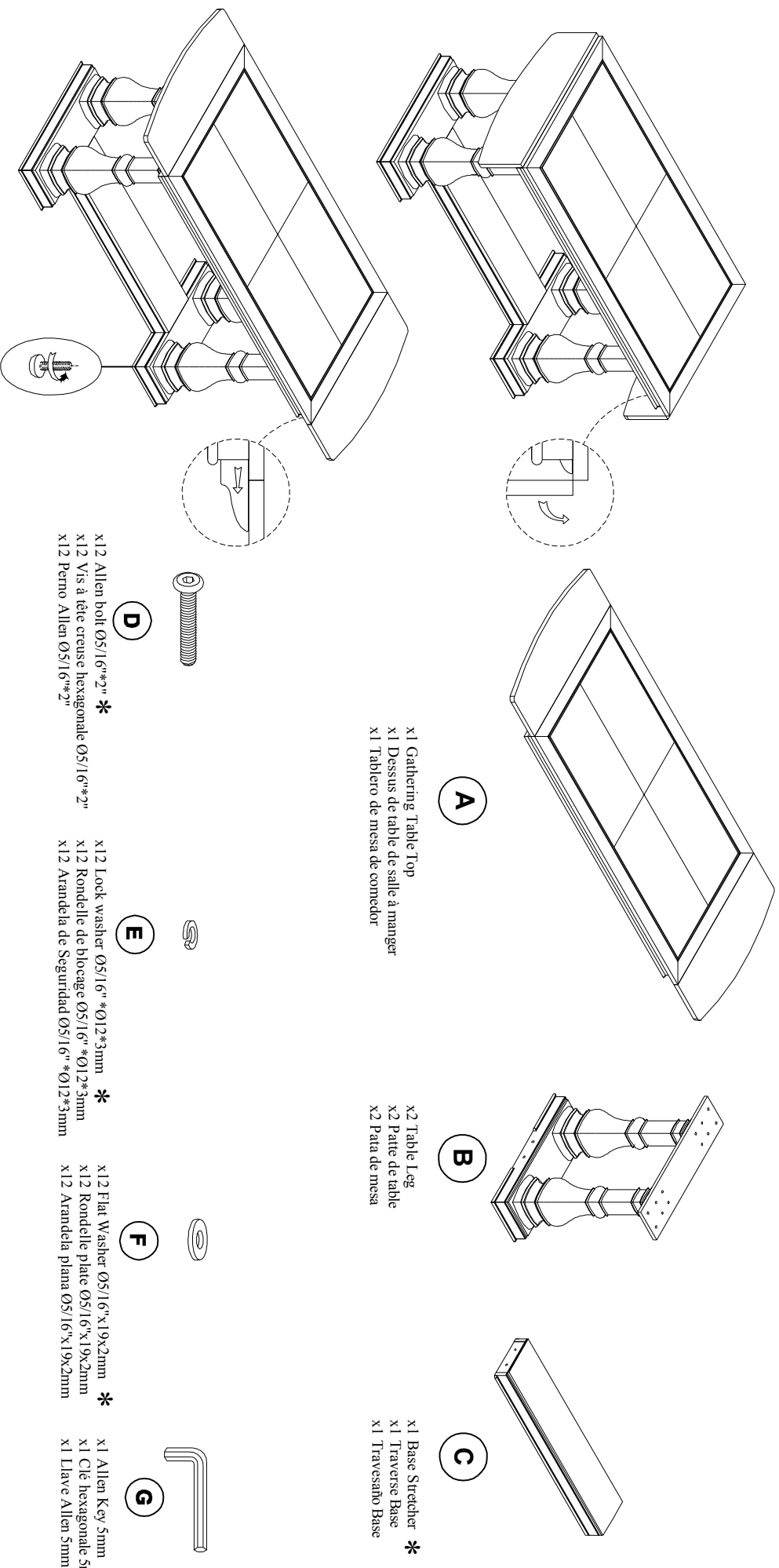


RC-WHT-NAIL *
x4 Plastic Nail
x4 Clou
x4 Clavo

*Replaceable Part

PARTS LIST / LISTE DES PIÈCES / LISTA DE PIEZAS
ITEM NO./ARTICLE NO./ARTICULO NO: P30242/P330243

DESCRIPTION/ LA DESCRIPTION/ DESCRIPCIÓN: Gathering Table Base/Base de table de salle à manger/Base de mesa de comedor
Gathering Table Top/Dessus de table de salle à manger/Tablero de mesa de comedor



x1 Gathering Table Top
 x1 Dessus de table de salle à manger
 x1 Tablero de mesa de comedor

x2 Table Leg
 x2 Patte de table
 x2 Pata de mesa

x1 Base Stretcher *
 x1 Traverse Base
 x1 Travesaño Base

x12 Allen bolt Ø5/16"*2"
 x12 Vis à tête creuse hexagonale Ø5/16"*2"
 x12 Perno Allen Ø5/16"*2"

x12 Lock washer Ø5/16" *Ø12*3mm
 x12 Rondelle de blocage Ø5/16" *Ø12*3mm
 x12 Arandela de Seguridad Ø5/16" *Ø12*3mm

x12 Flat Washer Ø5/16"x19x2mm
 x12 Rondelle plate Ø5/16"x19x2mm
 x12 Arandela plana Ø5/16"x19x2mm

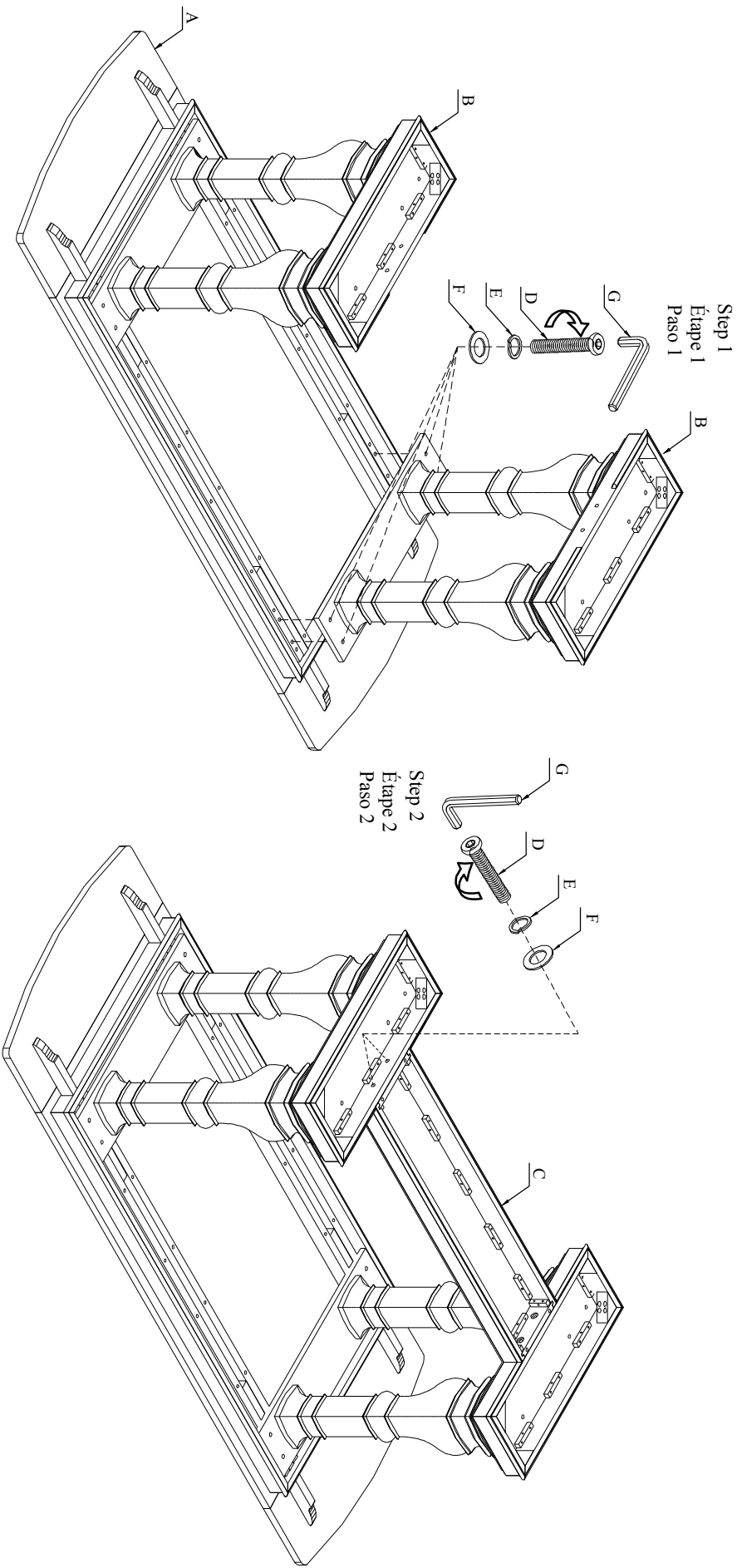
x1 Allen Key 5mm
 x1 Clé hexagonale 5mm
 x1 Llave Allen 5mm

*Replaceable Part

Adjustable leveler
 Patín réglable
 Nivelador ajustable



ASSEMBLY INSTRUCTIONS/ NOTICE DE MONTAGE/ INSTRUCCIONES DE MONTAJE
ITEM NO./ARTICLE NO./ARTICULO NO: P330242/P330243
DESCRIPTION/ LA DESCRIPTION/ DESCRIPCIÓN: Gathering Table Base/Base de table de salle à manger/Base de mesa de comedor
Gathering Table Top/Dessus de table de salle à manger/Tablero de mesa de comedor



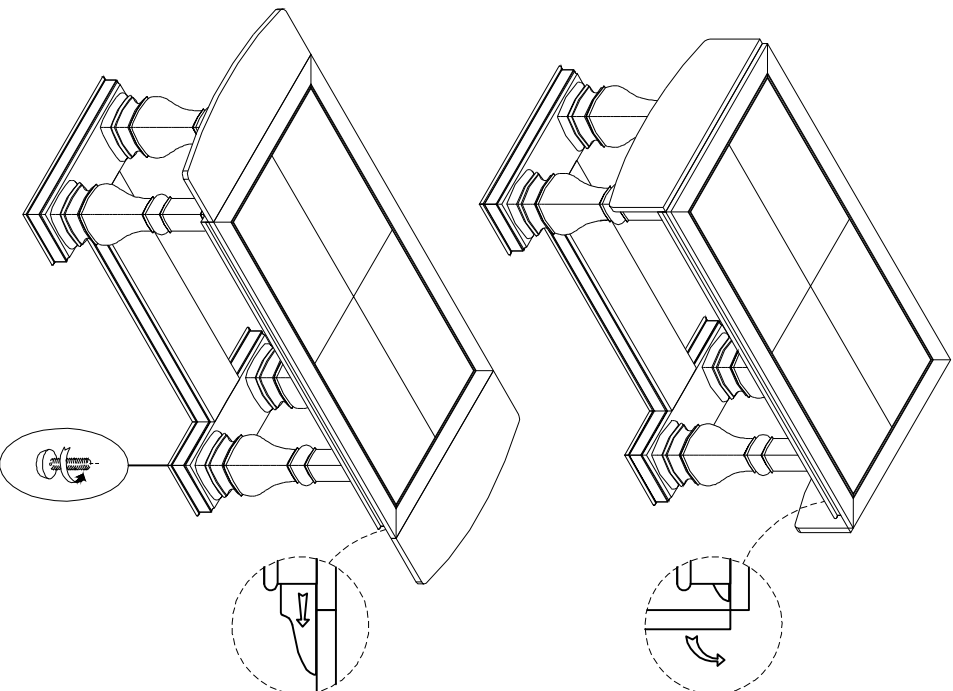
*Replaceable Part



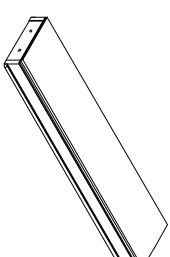
REPLACEABLE PART / PARTIE REMPLAÇABLE / PARTE REMPLAZABLE

ITEM NO./ARTICLE NO./ARTICULO NO: P330242/P330243

**DESCRIPTION/ LA DESCRIPTION/ DESCRIPCIÓN: Gathering Table Base/Base de table de salle à manger/Base de mesa de comedor
Gathering Table Top/Dessus de table de salle à manger/Tablero de mesa de comedor**



Adjustable leveler
Patin réglable
Nivelador ajustable



RP330242-STRE *
x1 Base Stretcher
x1 Traverse Base
x1 Travesaño Base



RP330242-HWKIT *
x1 Hardware Kit
x1 Liste des pièces de quincaillerie
x1 Lista de materiales

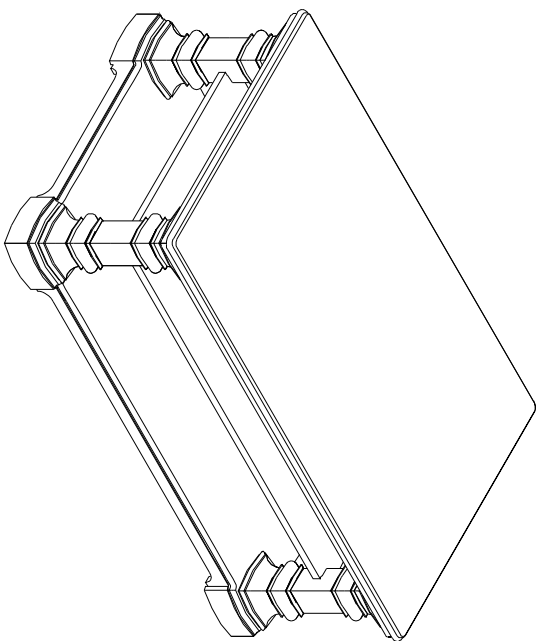
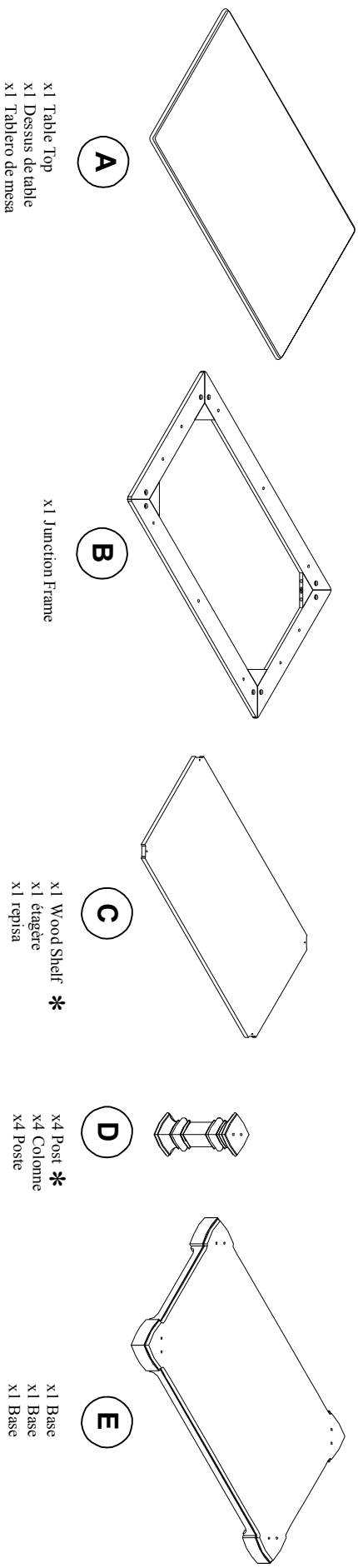


RC-FG-WHITE *
x8 Common Adjustable Leveler
x8 Patin réglable
x8 Nivelador ajustable

* Replaceable Part

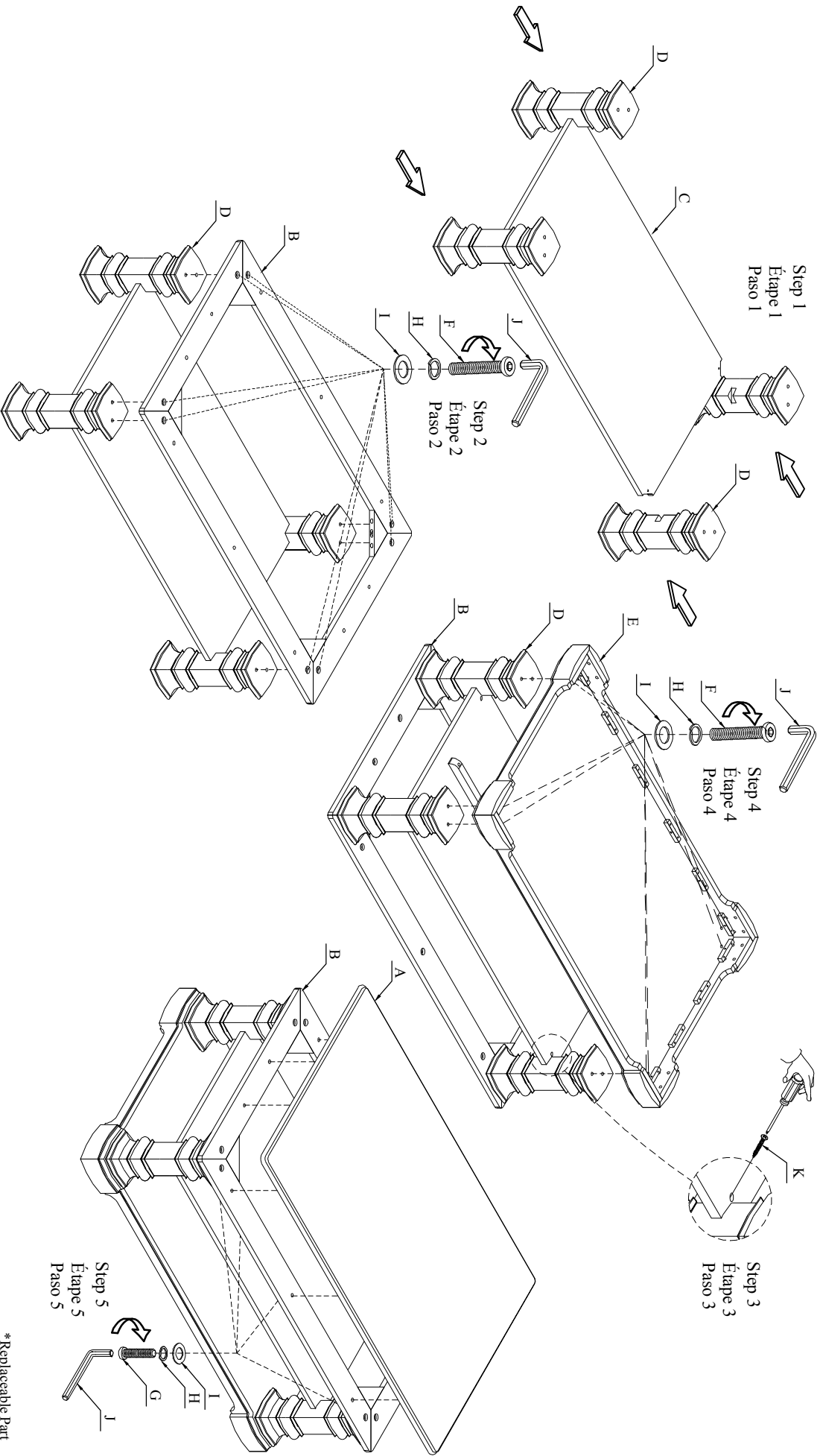


PARTS LIST / LISTE DES PIÈCES / LISTA DE PIEZAS
ITEM NO./ARTICLE NO./ARTICULO NO.: P330250
DESCRIPTION/ LA DESCRIPTION/ DESCRIPCIÓN: Stone Top Cocktail Table/Table basse/Mesa de Cóctel



*Replaceable Part

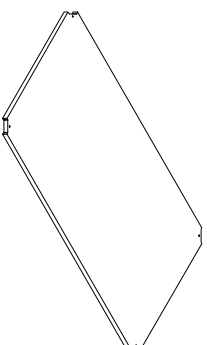
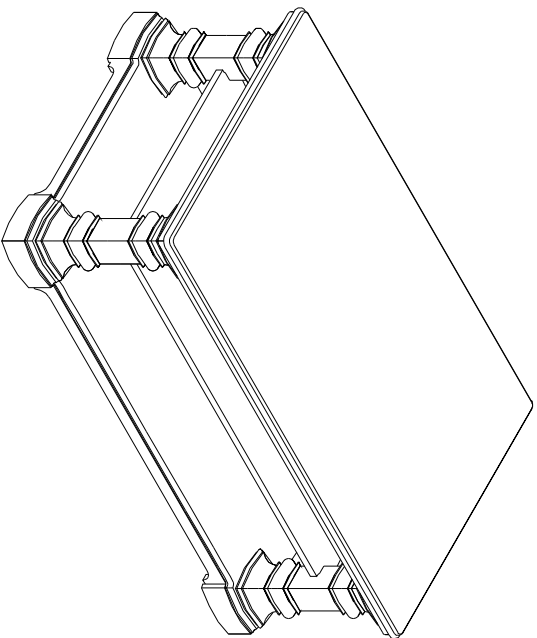
ASSEMBLY INSTRUCTIONS/ NOTICE DE MONTAGE/ INSTRUCCIONES DE MONTAJE
ITEM NO./ARTICLE NO./ARTICULO NO.: P330250
DESCRIPTION/ LA DESCRIPTION/ DESCRIPCIÓN: Stone Top Cocktail Table/ Table basse/Mesa de Cóctel



*Replacable Part

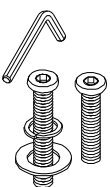


REPLACEABLE PART / PARTIE REMPLAÇABLE / PARTE REMPLAZABLE
ITEM NO./ARTICLE NO./ARTICULO NO.: P330250
DESCRIPTION/ LA DESCRIPTION/ DESCRIPCIÓN: Stone Top Cocktail Table/Table basse/Mesa de Cóctel



RP330250-SHELF *
 x1 Wood Shelf
 x1 étagère
 x1 repisa

RP330250-POST *
 x4 Post
 x4 Colonne
 x4 Poste



RP330250-HWKIT *
 x1 Hardware Kit
 x1 Liste des pièces de quincaillerie
 x1 Lista de materiales

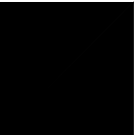


RC-WHT-NAIL *
 x4 Plastic Nail
 x4 Clou
 x4 Clavo

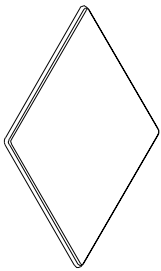


RP330250-SCREW *
 x4 FB Screw
 x4 Vis
 x4 Tornillo

*Replaceable Part

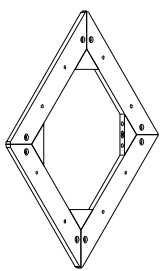


PARTS LIST / LISTE DES PIÈCES / LISTA DE PIEZAS
ITEM NO./ARTICLE NO./ARTICULO NO.: P330255
DESCRIPTION/ LA DESCRIPTION/ DESCRIPCIÓN: Stone Top End Table/ Table de bout/ Mesa final



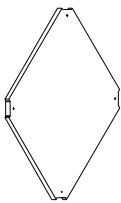
A

- x1 Table Top
- x1 Dessus de table
- x1 Tablero de mesa



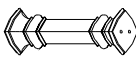
B

- x1 Junction Frame



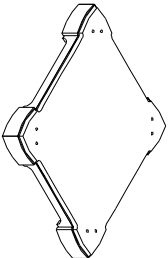
C

- x1 Wood Shelf *
- x1 étagère
- x1 repisa



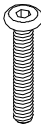
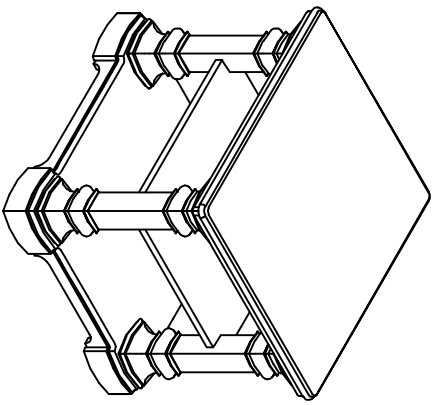
D

- x4 Post *
- x4 Colonne
- x4 Poste



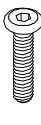
E

- x1 Base
- x1 Base
- x1 Base



F

- x16 Allen bolt Ø5/16"*1-1/2" *
- x16 Vis à tête creuse hexagonale Ø5/16"*1-1/2"
- x16 Perno Allen Ø5/16"*1-1/2"



G

- x8 Allen bolt Ø5/16"*1" *
- x8 Vis à tête creuse hexagonale Ø5/16"*1"
- x8 Perno Allen Ø5/16"*1"



H

- x24 Lock washer Ø5/16"*Ø12*3mm *
- x24 Rondelle de blocage Ø5/16"*Ø12*3mm
- x24 Arandela de Seguridad Ø5/16"*Ø12*3mm



I

- x24 Flat Washer Ø5/16"x19x2mm *
- x24 Rondelle plate Ø5/16"x19x2mm
- x24 Arandela plana Ø5/16"x19x2mm



J

- x1 Allen Key 5mm *
- x1 Clé hexagonale 5mm
- x1 Llave Allen 5mm

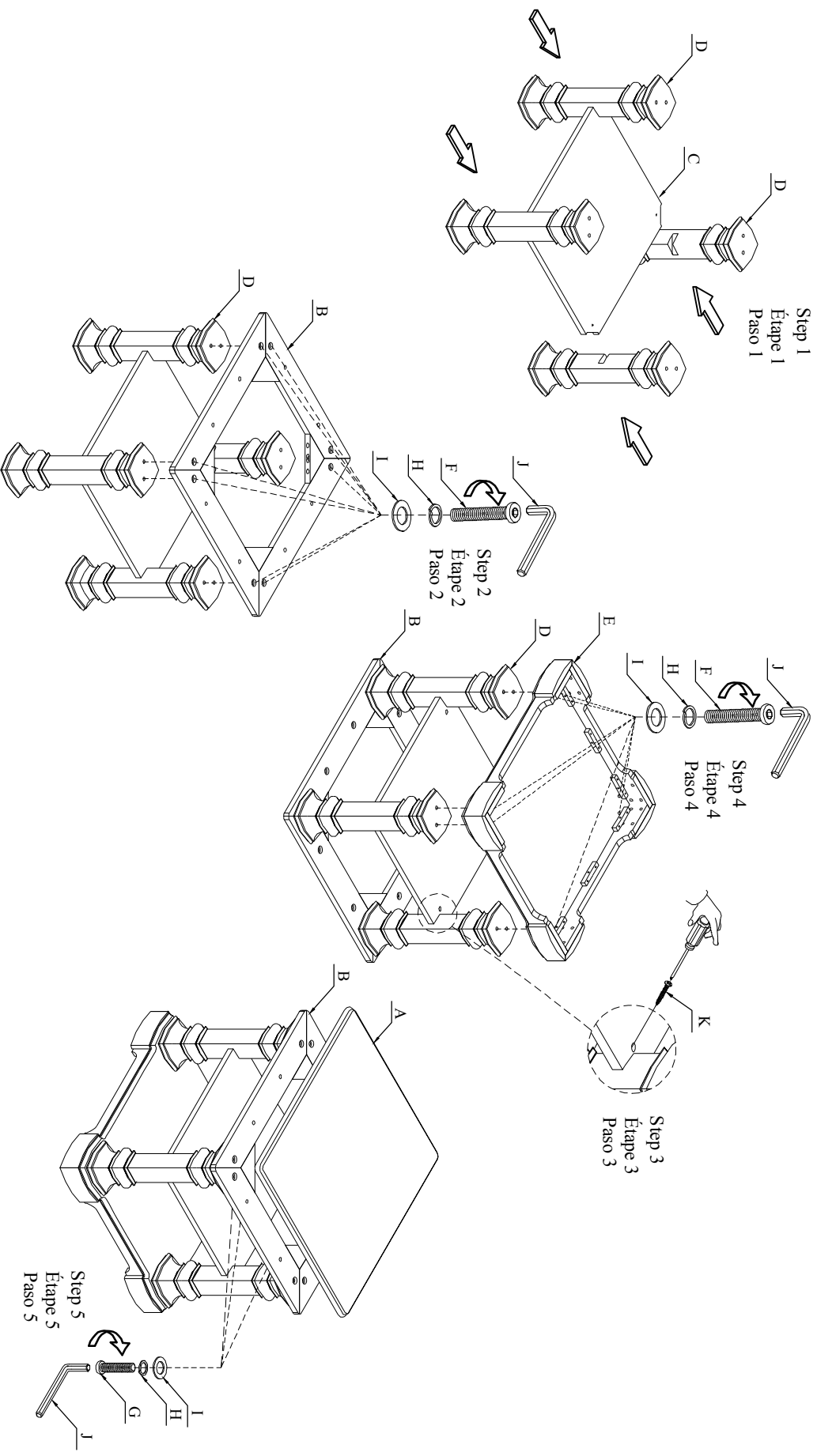


- x4 #8x1-1/4" Screw *
- x4 #8x1-1/4" Vis
- x4 #8x1-1/4" Tornillo

*Replaceable Part

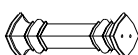
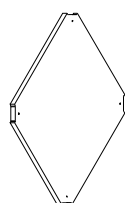
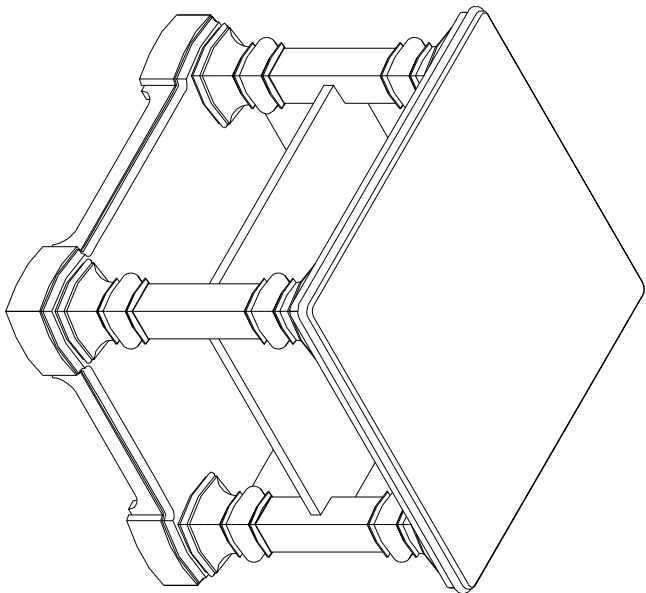


ASSEMBLY INSTRUCTIONS/ NOTICE DE MONTAGE/ INSTRUCCIONES DE MONTAJE
ITEM NO./ARTICLE NO./ARTICULO NO.: P330255
DESCRIPTION/ LA DESCRIPTION/ DESCRIPCIÓN: Stone Top End Table/ Table de bout/ Mesa final





REPLACEABLE PART / PARTIE REMPLAÇABLE / PARTE REMPLAZABLE
ITEM NO./ARTICLE NO./ARTICULO NO: P330255
DESCRIPTION/ LA DESCRIPTION/ DESCRIPCIÓN: Stone Top End Table/ Table de bout/ Mesa final



RP330255-SHELF *
 x1 Wood Shelf
 x1 étagère
 x1 repisa

RP330255-POST *
 x4 Post
 x4 Colonne
 x4 Poste



RP330255-HW KIT *
 x1 Hardware Kit
 x1 Liste des pièces de quincaillerie
 x1 Lista de materiales

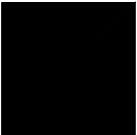


RC-WHT-NAIL *
 x4 Plastic Nail
 x4 Clou
 x4 Clavo

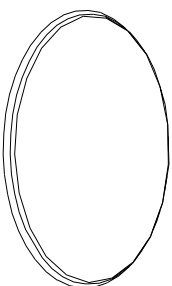
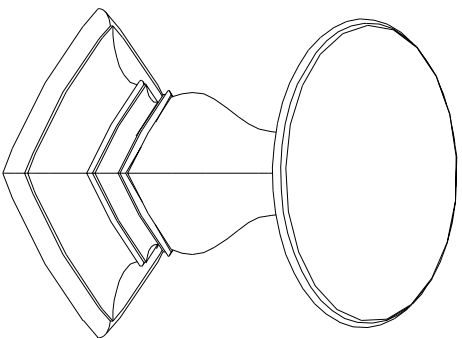


RP330255-SCREW *
 x4 FB Screw
 x4 Vis
 x4 Tornillo

* Replaceable Part

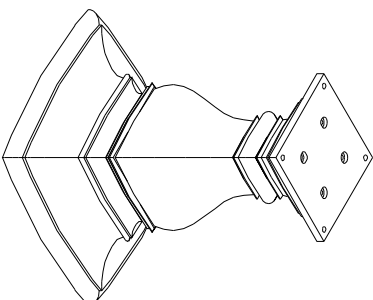


PARTS LIST / LISTE DES PIÈCES / LISTA DE PIEZAS
ITEM NO./ARTICLE NO./ARTICULO NO.: P330256
DESCRIPTION/LA DESCRIPTION/ DESCRIPCIÓN: Round End Table/ Table de bout/ Mesa final



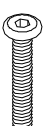
A

x1 Table Top
x1 Dessus de table
x1 Tablero de mesa



B

x1 Table Base
x1 Base de table
x1 Base de mesa



C

x4 Allen bolt Ø5/16"*1-1/2" *
x4 Vis à tête creuse hexagonale Ø5/16"*1-1/2"
x4 Perno Allen Ø5/16"*1-1/2"



D

x4 Lock washer Ø5/16" *Ø12*3mm *
x4 Rondelle de blocage Ø5/16" *Ø12*3mm
x4 Arandela de Seguridad Ø5/16" *Ø12*3mm



E

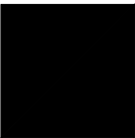
x4 Flat Washer Ø5/16"x19x2mm *
x4 Rondelle plate Ø5/16"x19x2mm
x4 Arandela plana Ø5/16"x19x2mm



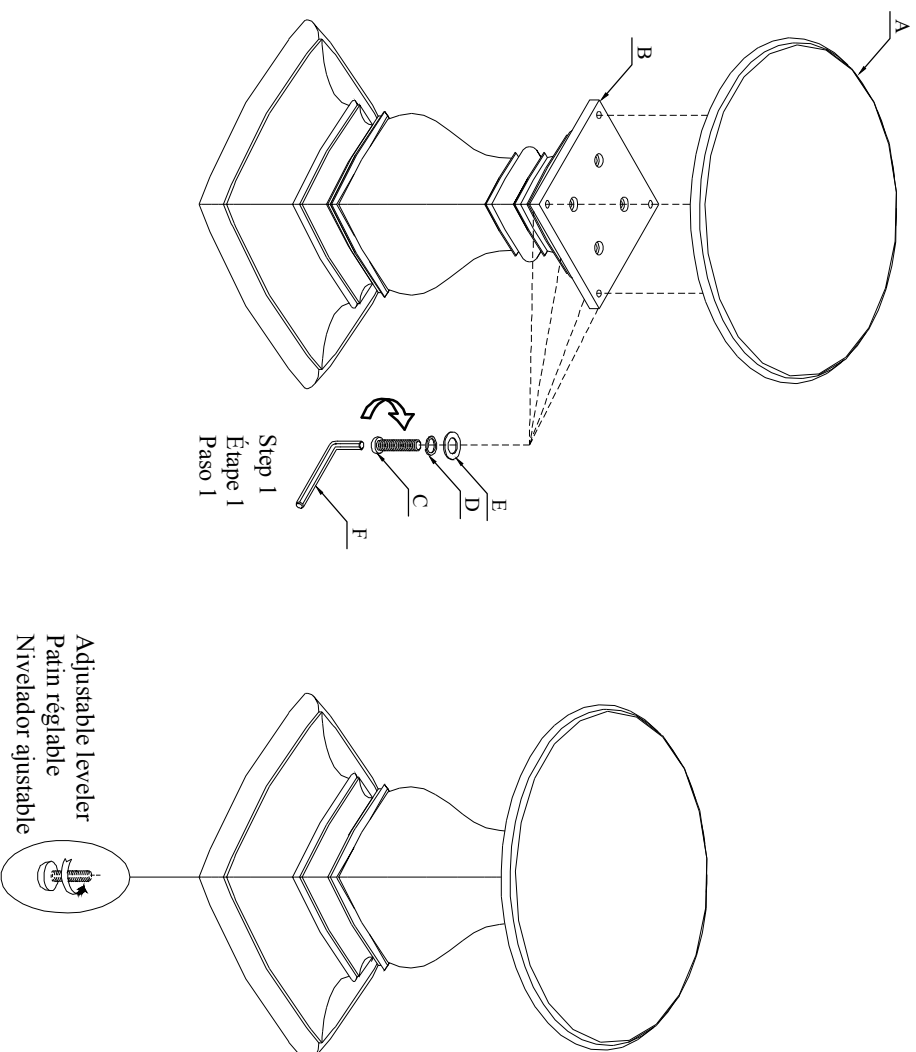
F

x1 Allen Key 5mm *
x1 Cle hexagonale 5mm
x1 Llave Allen 5mm

*Replaceable Part



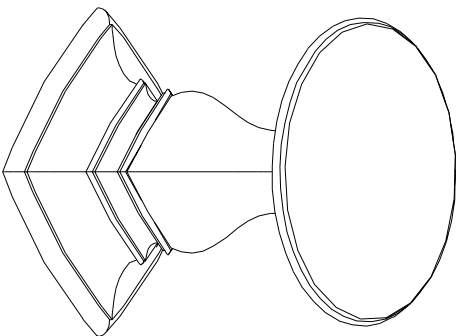
ASSEMBLY INSTRUCTIONS/ NOTICE DE MONTAGE/ INSTRUCCIONES DE MONTAJE
ITEM NO./ARTICLE NO./ARTICULO NO: P330256
DESCRIPTION/ LA DESCRIPTION/ DESCRIPCIÓN: Round End Table/ Table de bout/ Mesa final



*Replaceable Part

REPLACEABLE PART / PARTIE REMPLAÇABLE / PARTE REMPLAZABLE
ITEM NO./ARTICLE NO./ARTICULO NO: P330256

DESCRIPTION/ LA DESCRIPTION/ DESCRIPCIÓN: Round End Table/ Table de bout/ Mesa final

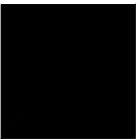


RP330256-HWKIT *
x1 Hardware Kit
x1 Liste des pièces de quincaillerie
x1 Lista de materiales

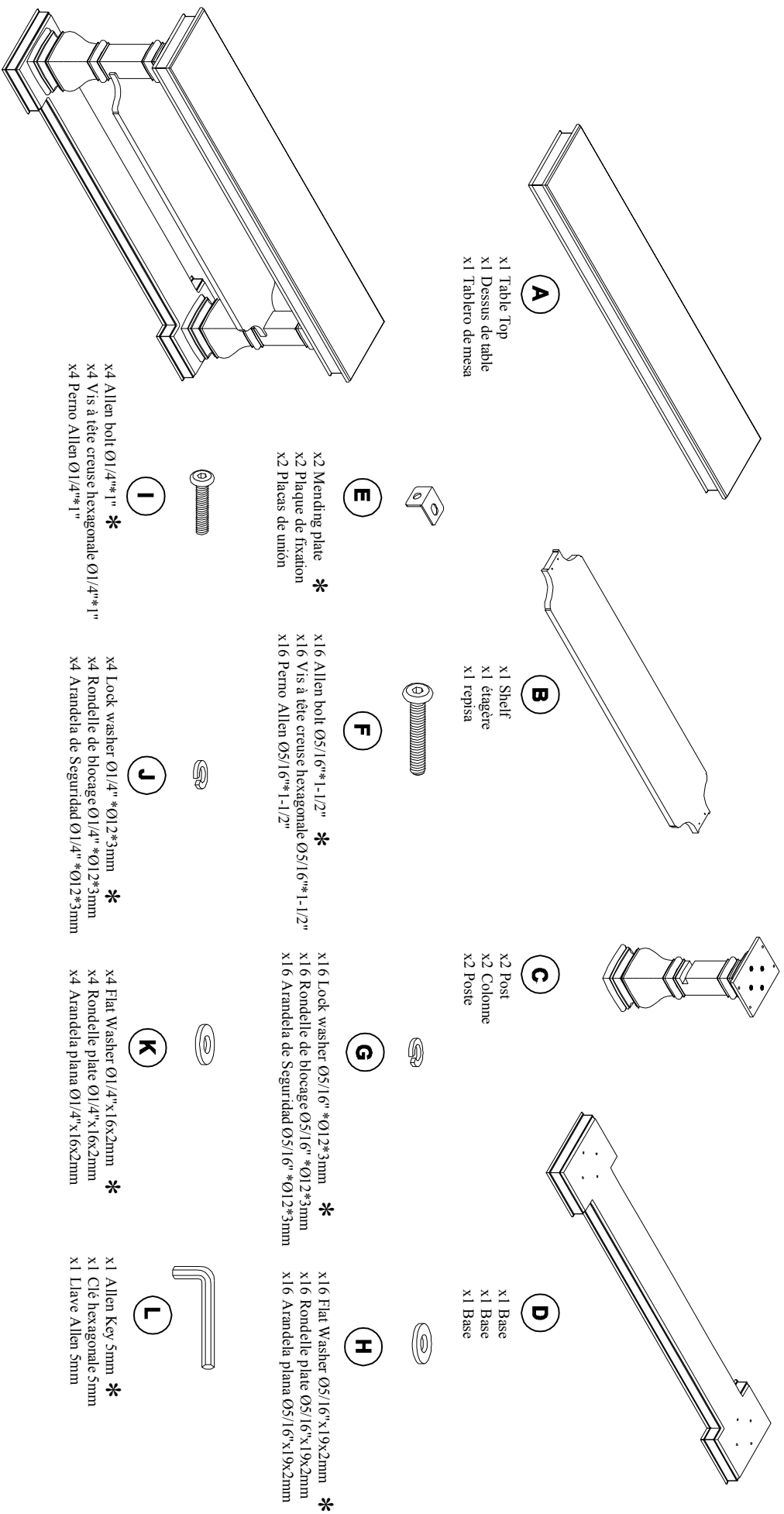


RC-FG-WHITE *
x4 Common Adjustable Leveler
x4 Patin réglable
x4 Nivelador ajustable

*Replaceable Part



PARTS LIST / LISTE DES PIÈCES / LISTA DE PIEZAS
ITEM NO./ARTICLE NO./ARTICULO NO.: P330257
DESCRIPTION/ LA DESCRIPTION/ DESCRIPCIÓN: Hall Console/ Console/ Consola



x1 Table Top
 x1 Dessus de table
 x1 Tablero de mesa

x1 Shelf
 x1 étagère
 x1 repisa

x2 Post
 x2 Colonne
 x2 Poste

x1 Base
 x1 Base
 x1 Base

x2 Mending plate *
 x2 Plaque de fixation
 x2 Placas de unión

x16 Allen bolt Ø5/16" *1-1/2" *
 x16 Vis à tête creuse hexagonale Ø5/16" *1-1/2"
 x16 Perno Allen Ø5/16" *1-1/2"

x16 Lock washer Ø5/16" *Ø12*3mm *
 x16 Rondelle de blocage Ø5/16" *Ø12*3mm
 x16 Arandela de Seguridad Ø5/16" *Ø12*3mm

x16 Flat Washer Ø5/16" *x19x2mm *
 x16 Rondelle plate Ø5/16" *x19x2mm
 x16 Arandela plana Ø5/16" *x19x2mm

x4 Allen bolt Ø1/4" *1" *
 x4 Vis à tête creuse hexagonale Ø1/4" *1"
 x4 Perno Allen Ø1/4" *1"

x4 Lock washer Ø1/4" *Ø12*3mm *
 x4 Rondelle de blocage Ø1/4" *Ø12*3mm
 x4 Arandela de Seguridad Ø1/4" *Ø12*3mm

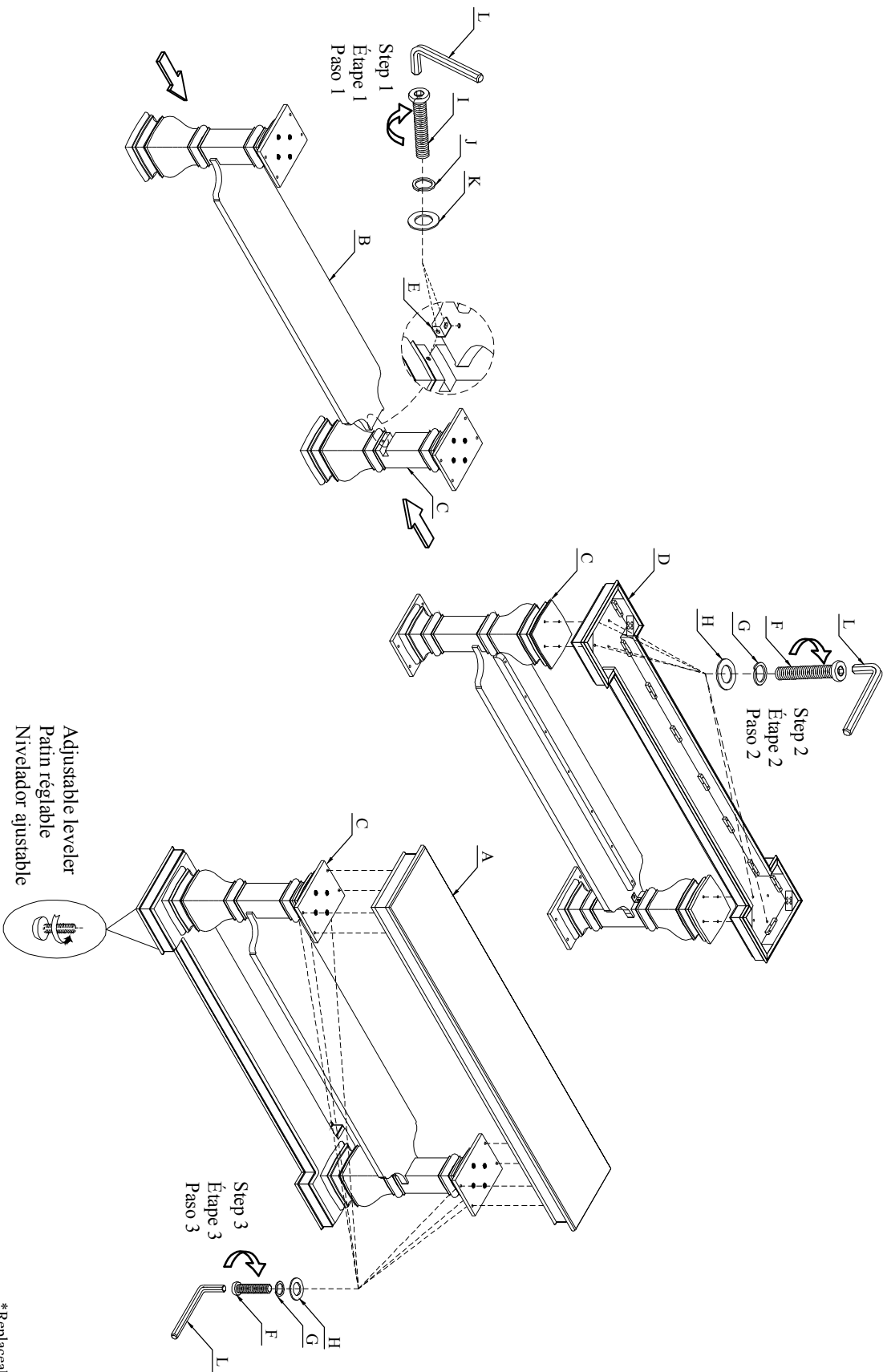
x4 Flat Washer Ø1/4" *x16x2mm *
 x4 Rondelle plate Ø1/4" *x16x2mm
 x4 Arandela plana Ø1/4" *x16x2mm

x1 Allen Key 5mm *
 x1 Clé hexagonale 5mm
 x1 Llave Allen 5mm

*Replaceable Part

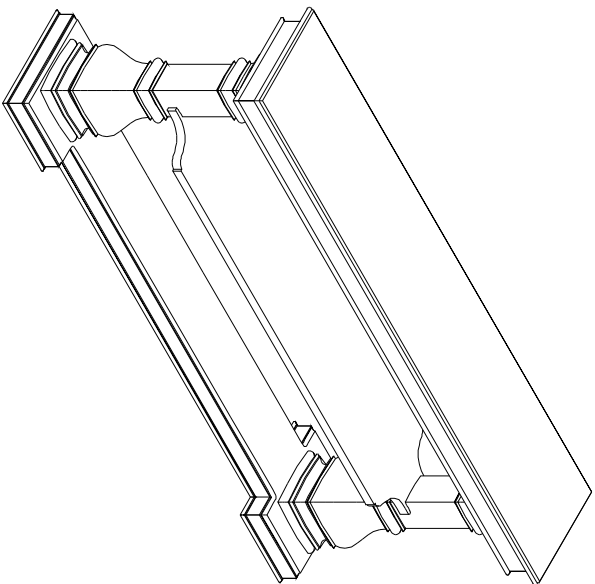


ASSEMBLY INSTRUCTIONS/ NOTICE DE MONTAGE/ INSTRUCCIONES DE MONTAJE
ITEM NO./ARTICLE NO./ARTICULO NO.: P330257
DESCRIPTION/ LA DESCRIPTION/ DESCRIPCIÓN: Hall Console/ Console/ Consola





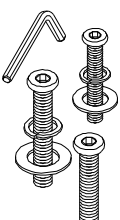
REPLACEABLE PART / PARTIE REMPLAÇABLE / PARTE REMPLAZABLE
ITEM NO./ARTICLE NO./ARTICULO NO.: P330257
DESCRIPTION/ LA DESCRIPTION/ DESCRIPCIÓN: Hall Console/ Console/ Consola



- RP330257-PLATE *
- x2 Mending Plate
- x2 Plaque de fixation
- x2 Placas de unión



- RC-FG-WHITE *
- x8 Common Adjustable Leveler
- x8 Patin réglable
- x8 Nivelador ajustable



- RP330257-HWKIT *
- x1 Hardware Kit
- x1 Liste des pièces de quincaillerie
- x1 Lista de materiales

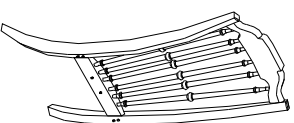
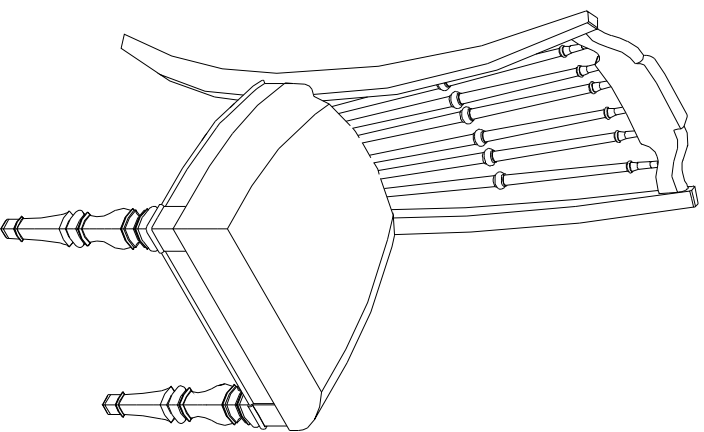


- RC-WHT-NAIL-SMALL *
- x2 Plastic Nail
- x2 Clou
- x2 Clavo

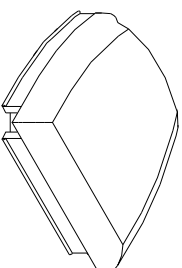
* Replaceable Part



PARTS LIST / LISTE DES PIÈCES / LISTA DE PIEZAS
ITEM NO./ARTICLE NO./ARTICULO NO: P330260
DESCRIPTION/ LA DESCRIPTION/ DESCRIPCIÓN:
Wood Back Side Chair 2/ctn / Chaise d'appoint avec dossier en bois - 2 par boîte / Silla con respaldo de madera - 2 por caja



- A**
- x1 Chair Back *
 - x1 Dossier de chaise
 - x1 Respaldo de la silla



- B**
- x1 Seat Cushion *
 - x1 Coussin de siège
 - x1 cojín del asiento



- C**
- x2 Front Leg *
 - x2 Patte avant
 - x2 Pata delantera



- D**
- x2 Allen bolt Ø5/16"*2" *
 - x2 Vis à tête creuse hexagonale Ø5/16"*2"
 - x2 Perno Allen Ø5/16"*2"



- E**
- x4 Allen bolt Ø5/16"*3" *
 - x4 Vis à tête creuse hexagonale Ø5/16"*3"
 - x4 Perno Allen Ø5/16"*3"



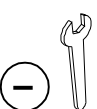
- F**
- x10 Lock washer Ø5/16" *Ø12*3mm *
 - x10 Rondelle de blocage Ø5/16" *Ø12*3mm
 - x10 Arandela de Seguridad Ø5/16" *Ø12*3mm



- G**
- x10 Flat Washer Ø5/16" *19x2mm *
 - x10 Rondelle plate Ø5/16" *19x2mm
 - x10 Arandela plana Ø5/16" *19x2mm



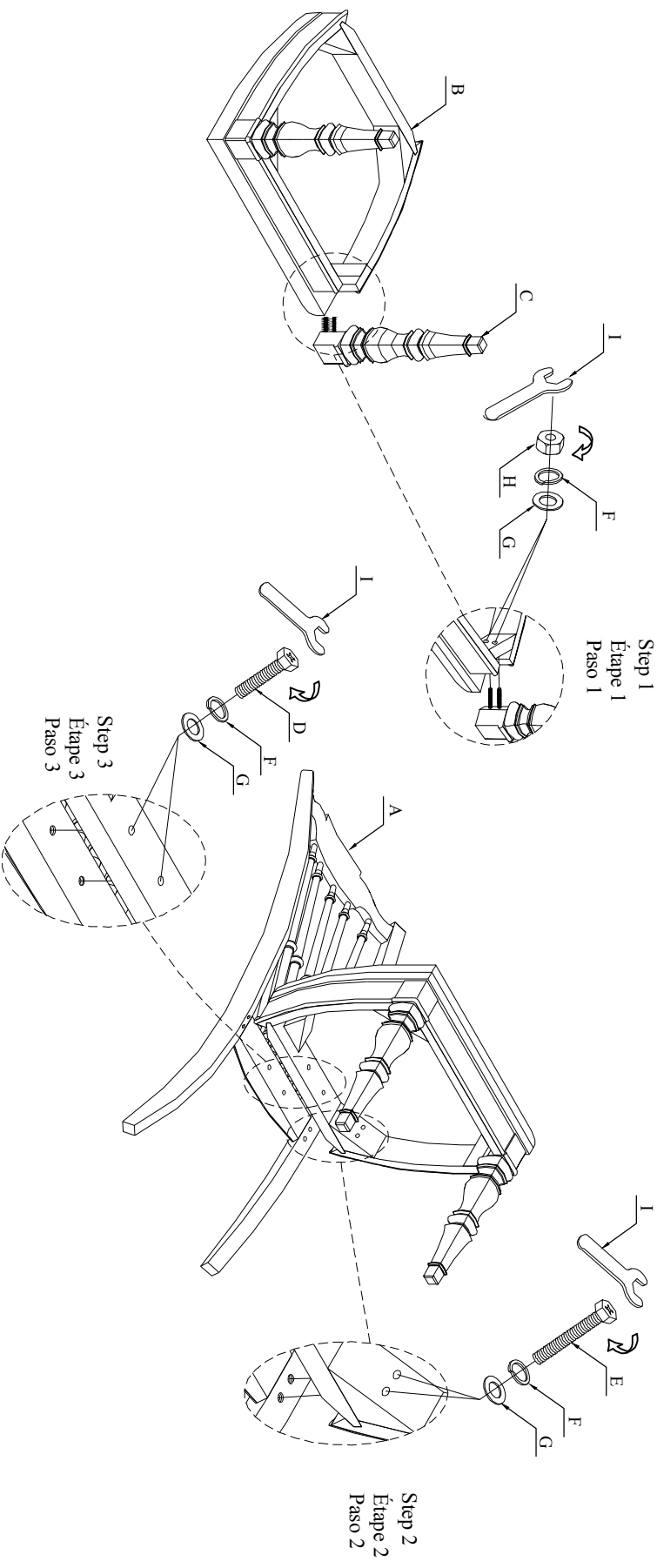
- H**
- x4 Ø5/16"*12 Nut *
 - x4 Ø5/16"*12 Écrou
 - x4 Ø5/16"*12 Tuerca



- I**
- x1 12mm Open Wrench *
 - x1 12mm Clé à fouette
 - x1 12mm Llave de boca

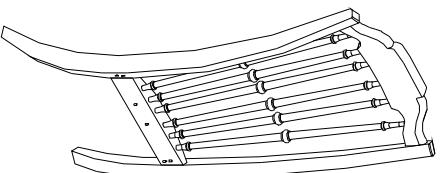
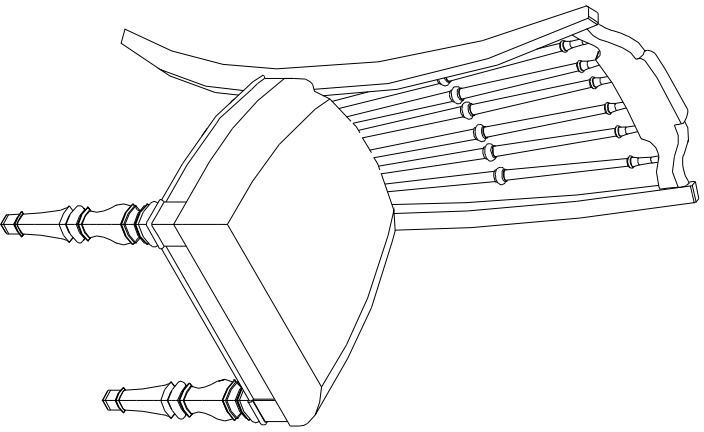
*Replacable Part

ASSEMBLY INSTRUCTIONS/ NOTICE DE MONTAGE/ INSTRUCCIONES DE MONTAJE
ITEM NO./ARTICLE NO./ARTICULO NO.: P330260
DESCRIPTION/ LA DESCRIPTION/ DESCRIPCIÓN:
Wood Back Chair 2/ctn / Chaise d'appoint avec dossier en bois - 2 par boîte / Silla con respaldo de madera - 2 por caja

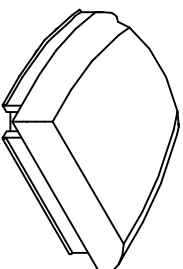


*Replaceable Part

REPLACEABLE PART / PARTIE REMPLAÇABLE / PARTE REMPLAZABLE
ITEM NO./ARTICLE NO./ARTICULO NO.: P330260
DESCRIPTION/ LA DESCRIPTION/ DESCRIPCIÓN:
Wood Back Chair 2/ctn / Chaise d'appoint avec dossier en bois - 2 par boîte / Silla con respaldo de madera - 2 por caja



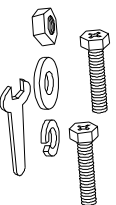
RP330260 BACK *
x1 Chair Back with Cushion
x1 Dossier de chaise
x1 Respaldo de silla



RP330260-FRAME *
x1 Seat frame with Cushion
x1 Côté du cadre
x1 Armazón lateral



RP330260 LEG *
x2 Front Leg
x2 Patte avant
x2 Pata delantera



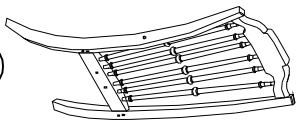
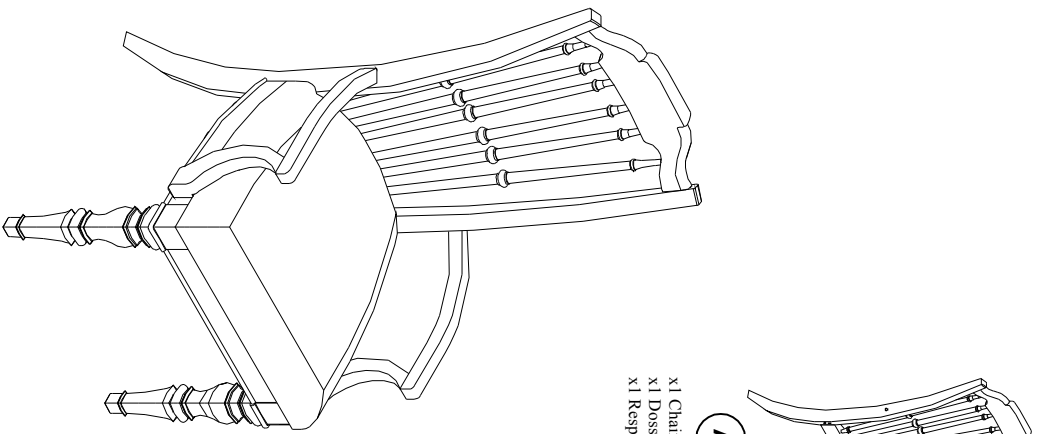
RP330260-HWKIT *
x1 Hardware Kit
x1 Liste des pièces de quincaillerie
x1 Lista de materiales



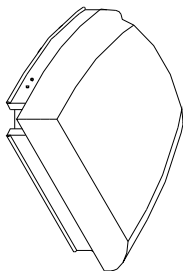
RC-WHT-NAIL *
x4 Plastic Nail
x4 Clou
x4 Clavo

*Replaceable Part

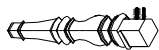
PARTS LIST / LISTE DES PIÈCES / LISTA DE PIEZAS
ITEM NO./ARTICLE NO./ARTICULO NO.: P330261
DESCRIPTION/LA DESCRIPTION/ DESCRIPCIÓN:
Wood Back Arm Chair 2/cm/ Chaise à accoudoirs avec dossier en/ Silla de brazos con respaldo de madera - 2 por caja



- A**
- x1 Chair Back *
 - x1 Dossier de chaise
 - x1 Respaldo de silla



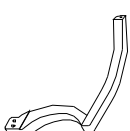
- B**
- x1 Seat Cushion *
 - x1 Coussin de siège
 - x1 cojín del asiento



- C**
- x2 Front Leg *
 - x2 Pate avant
 - x2 Pata delantera



- D**
- x1 Left Armrest *
 - x1 Accoudoir de gauche
 - x1 Brazo izquierda



- E**
- x1 Right Armrest *
 - x1 Accoudoir de droite
 - x1 Brazo derecha



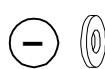
- F**
- x2 Allen bolt Ø5/16"×2" *
 - x2 Vis à tête creuse hexagonale Ø5/16"×2"
 - x2 Perno Allen Ø5/16"×2"



- G**
- x4 Allen bolt Ø5/16"×3" *
 - x4 Vis à tête creuse hexagonale Ø5/16"×3"
 - x4 Perno Allen Ø5/16"×3"



- H**
- x10 Lock washer Ø5/16"×Ø12×3mm *
 - x10 Rondelle de blocage Ø5/16"×Ø12×3mm
 - x10 Arandela de Seguridad Ø5/16"×Ø12×3mm



- I**
- x10 Flat Washer Ø5/16"×19×2mm *
 - x10 Rondelle plate Ø5/16"×19×2mm
 - x10 Arandela plana Ø5/16"×19×2mm



- J**
- x4 Ø5/16"×12 Nut *
 - x4 Ø5/16"×12 Écrou
 - x4 Ø5/16"×12 Tuerca



- K**
- x1 12mm Open Wrench *
 - x1 12mm Clé à fourche
 - x1 12mm Llave de boca



- L**
- x6 Allen bolt Ø1/4"×1-1/2" *
 - x6 Vis à tête creuse hexagonale Ø1/4"×1-1/2"
 - x6 Perno Allen Ø1/4"×1-1/2"



- M**
- x4 Lock washer Ø1/4"×Ø12×3mm *
 - x4 Rondelle de blocage Ø1/4"×Ø12×3mm
 - x4 Arandela de Seguridad Ø1/4"×Ø12×3mm



- N**
- x4 Flat Washer Ø1/4"×16×2mm *
 - x4 Rondelle plate Ø1/4"×16×2mm
 - x4 Arandela plana Ø1/4"×16×2mm



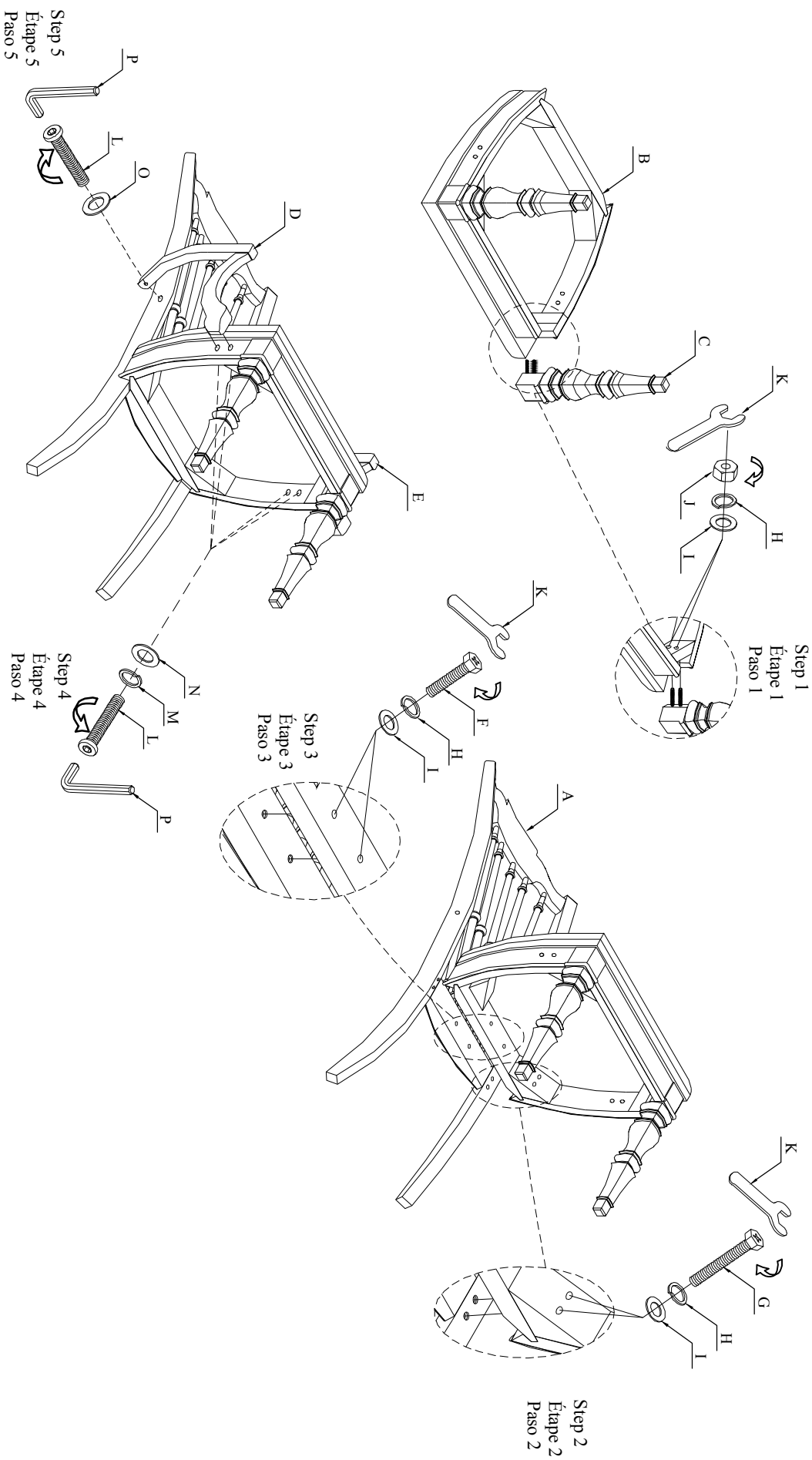
- O**
- x2 Flat Washer Ø1/4"×13×2mm *
 - x2 Rondelle plate Ø1/4"×13×2mm
 - x2 Arandela plana Ø1/4"×13×2mm



- P**
- x1 Allen Key 4mm *
 - x1 Clé hexagonale 4mm
 - x1 Llave Allen 4mm

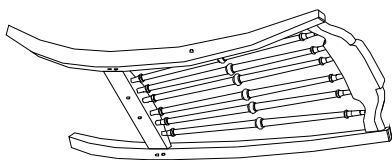
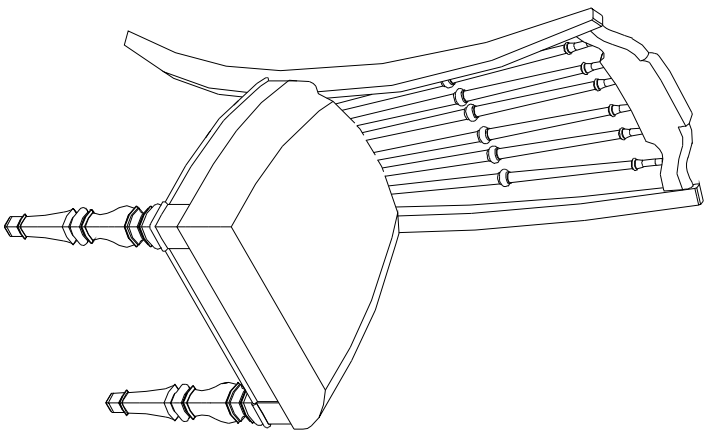
*Replaceable Part

ASSEMBLY INSTRUCTIONS/ NOTICE DE MONTAGE/ INSTRUCCIONES DE MONTAJE
ITEM NO./ARTICLE NO./ARTICULO NO.: P330261
DESCRIPTION/ LA DESCRIPTION/ DESCRIPCIÓN:
Wood Back Arm Chair 2/ctn/ Chaise à accoudoirs avec dossier en/ Silla de brazos con respaldo de madera - 2 por caja

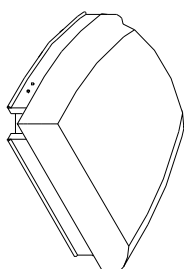


*Replaceable Part

REPLACEABLE PART / PARTIE REMPLAÇABLE / PARTE REMPLAZABLE
ITEM NO./ARTICLE NO./ARTICULONO: P330261
DESCRIPTION/LA DESCRIPTION/ DESCRIPCIÓN:
Wood Back Arm Chair 2/cfm/ Chaise à accoudoirs avec dossier en/ Silla de brazos con respaldo de madera - 2 por caja



RP330261 BACK *
 x1 Chair Back with Cushion
 x1 Dossier de chaise
 x1 Respaldo de silla



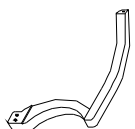
RP330261-FRAME *
 x1 Seat frame with Cushion
 x1 Côté du cadre
 x1 Armazon lateral



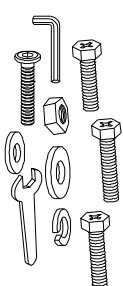
RP330261 LEG *
 x2 Front Leg
 x2 Patte avant
 x2 Pata delantera



RP330261 AIML *
 x1 Left Armrest
 x1 Accoudoir de gauche
 x1 Brazo izquierda



RP330261 AIMR *
 x1 Right Armrest
 x1 Accoudoir de droite
 x1 Brazo derecha



RP330261-HWKIT *
 x1 Hardware Kit
 x1 Liste des pièces de quincaillerie
 x1 Lista de materiales

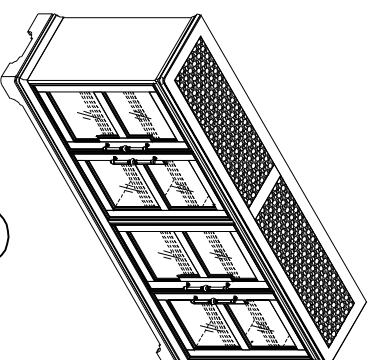
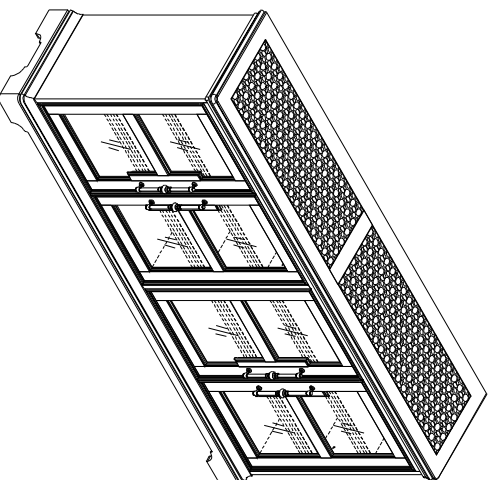


RC-WHT-NAIL *
 x4 Plastic Nail
 x4 Clou
 x4 Clavo

*Replaceable Part

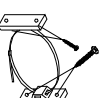
PARTS LIST / LISTE DES PIÈCES / LISTA DE PIEZAS
ITEM NO./ARTICLE NO./ARTICULO NO: P330300
DESCRIPTION/ LA DESCRIPTION/ DESCRIPCIÓN: Buffet/ Buffet/ Aparador

WARNING	
	<p>Children have died from furniture tipover. To reduce the risk of furniture tipover :</p> <ul style="list-style-type: none"> • ALWAYS install tipover restraint provided. • NEVER put a TV on this product. • NEVER allow children to stand, climb or hang on drawers, doors, or shelves. • NEVER open more than one drawer at a time. • Place heaviest items in the lowest drawers. <p><i>This is a permanent label. Do not remove!</i></p>
	



A

- x1 Buffet
- x1 Buffet
- x1 Aparador



B

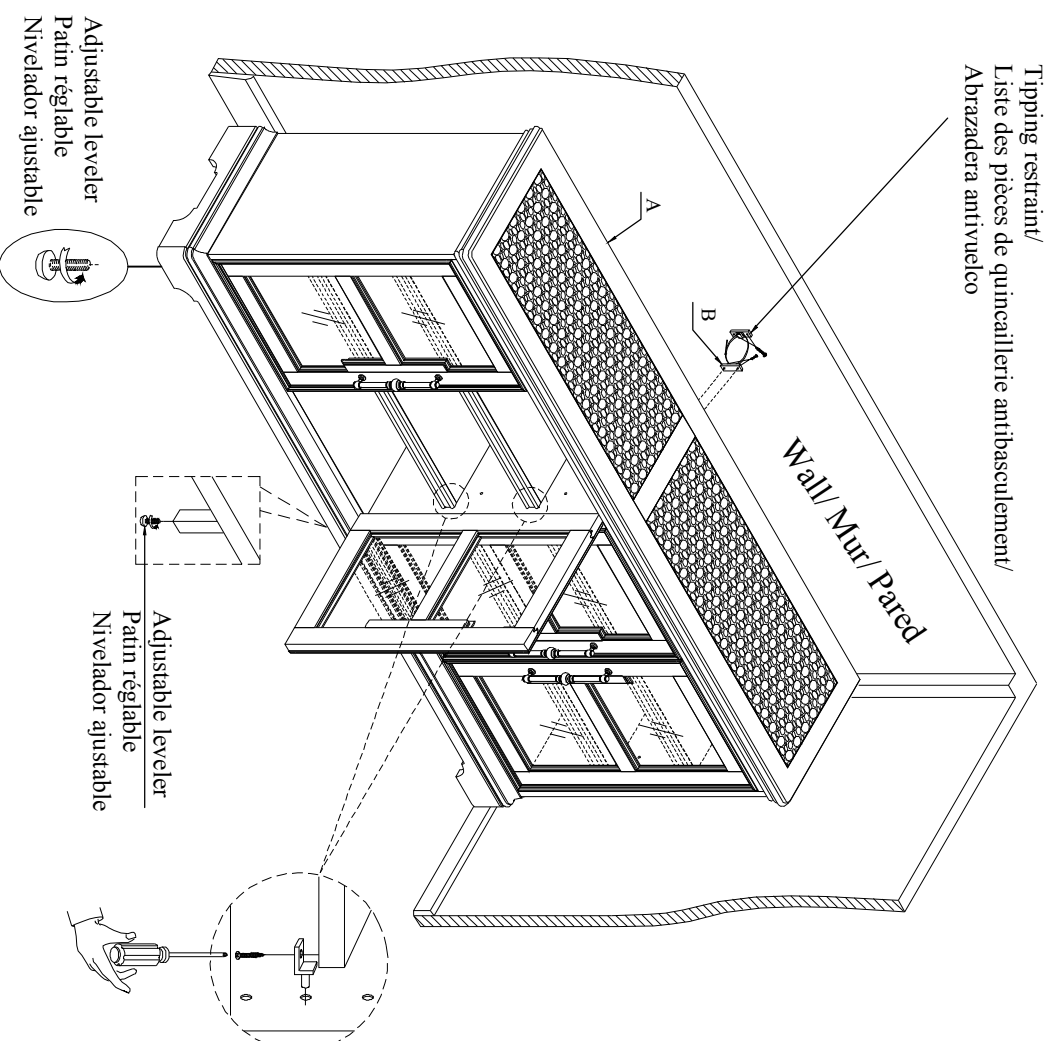
- x1 Tipping restraint *
- x1 Liste des pièces de quincaillerie antibascullement
- x1 Abrazadera antivuelco

*Replaceable Part

ASSEMBLY INSTRUCTIONS/ NOTICE DE MONTAGE/ INSTRUCCIONES DE MONTAJE
ITEM NO./ARTICLE NO./ARTICULO NO: P330300
DESCRIPTION/ LA DESCRIPTION/ DESCRIPCIÓN: Buffet/Buffet/Aparador

⚠ WARNING
<p>Children have died from furniture tipover. To reduce the risk of furniture tipover:</p> <ul style="list-style-type: none"> • ALWAYS install tipover restraint provided; • NEVER put a TV on this product. • NEVER allow children to stand, climb or hang on drawers, doors, or shelves. • NEVER open more than one drawer at a time. • Place heaviest items in the lowest drawers. <p><i>This is a permanent label. Do not remove!</i></p>





*Replaceable Part



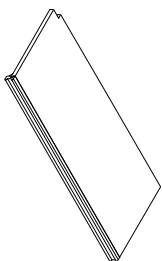
REPLACEABLE PART / PARTIE REMPLAÇABLE / PARTE REMPLAZABLE
ITEM NO./ARTICLE NO./ARTICULO NO: P330300
DESCRIPTION/ LA DESCRIPTION/ DESCRIPCIÓN: Buffet/Buffet/Aparador

WARNING

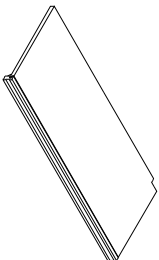
Children have died from furniture tipover. To reduce the risk of furniture tipover:

- ALWAYS install tipover restraint provided.
- NEVER put a TV on this product.
- NEVER allow children to stand, climb or hang on drawers, doors, or shelves.
- NEVER open more than one drawer at a time.
- Place heaviest items in the lowest drawers.

This is a permanent label. Do not remove!



RP330300 SHELF *
 x2 Left Wood Shelf
 x2 étagère de gauche
 x2 estante izquierda



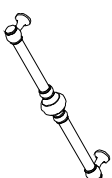
RP330300 SHELF *
 x2 Right Wood Shelf
 x2 étagère de droite
 x2 estante derecha



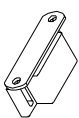
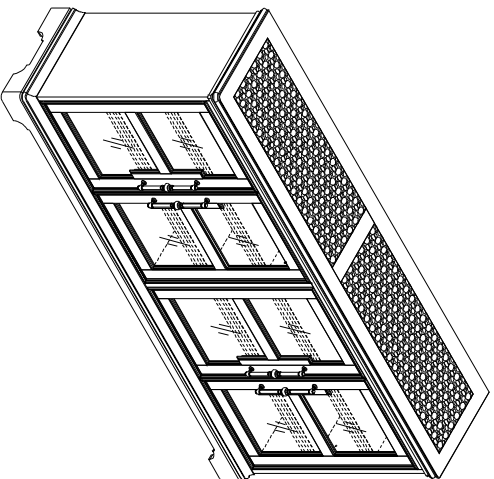
RP330300-CELEG *
 x1 Center Leg
 x1 Pied
 x1 Perna de soporte



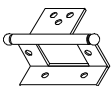
RP330300-SUPP *
 x16 Shelf Support
 x16 Supports Pour Tablette
 x16 Soporte De Las Repisas



RP330-PULL *
 x4 Common Pull with Screw
 x4 poignée et vis
 x4 tirador y Tornillo



RP330300 CATCH *
 x8 Door Catch
 x8 Catch de aimant
 x8 Captura de imán



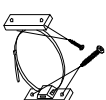
PR330300 HINGE *
 x8 Door Hinge
 x8 Charnière
 x8 Bisagra



RC-FG-WHITE *
 x3 Common Adjustable Leveler
 x3 Patin réglable
 x3 Nivelador ajustable



RC-WHT-NAIL *
 x2 Plastic Nail
 x2 Clou
 x2 Clavo



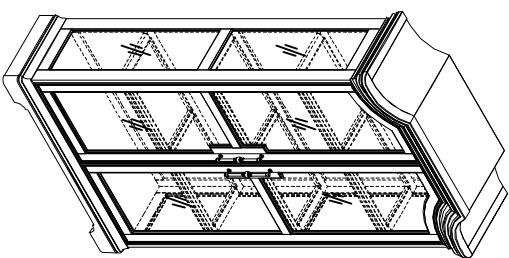
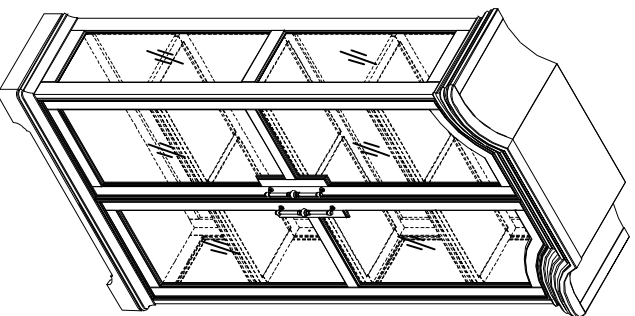
RC-ANTI-TIP *
 x1 Anti-tipping Restraint
 x1 Liste des pièces de quincaillerie antibasculement
 x1 Lista del kit de materiales antivuelco

*Replaceable Part

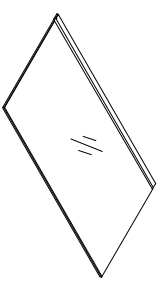


PARTS LIST / LISTE DES PIÈCES / LISTA DE PIEZAS
ITEM NO./ARTICLE NO./ARTICULO NO: P330305
DESCRIPTION/ LA DESCRIPTION/ DESCRIPCIÓN: Display Cabinet/Armoire/Armario

⚠ WARNING Children have died from furniture tipover. To reduce the risk of furniture tipover:	
	<ul style="list-style-type: none">• ALWAYS install tipover restraint provided.• NEVER put a TV on this product.• NEVER allow children to stand, climb or hang on drawers, doors, or shelves.• NEVER open more than one drawer at a time.• Place heaviest items in the lowest drawers.
<i>This is a permanent label. Do not remove!</i>	



- x1 Display Cabinet
- x1 Armoire
- x1 Armario



- x6 Glass Shelf *
- x6 Verre
- x6 Cristal



- x1 Tipping restraint *
- x1 Liste des pièces de quincaillerie antibasculament
- x1 Abrazadera antivuelco

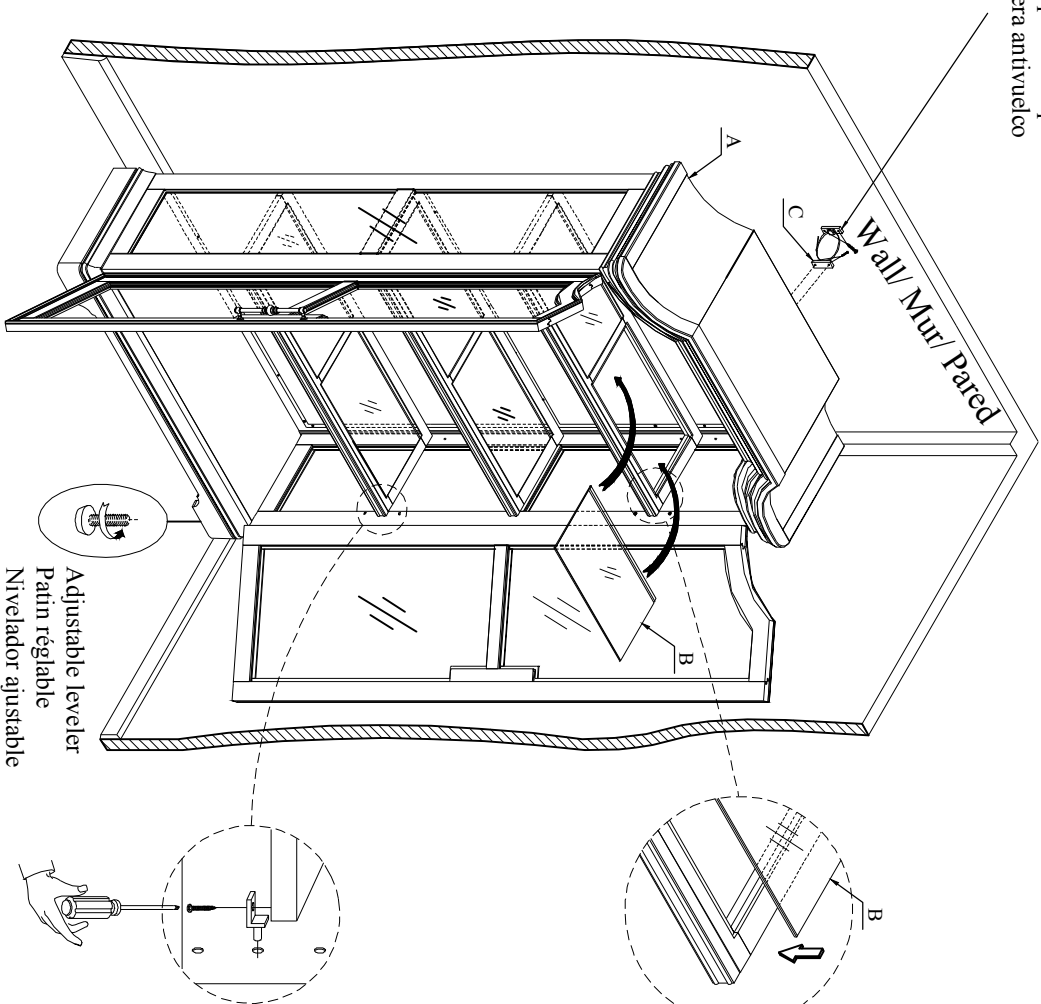
*Replaceable Part



ASSEMBLY INSTRUCTIONS/ NOTICE DE MONTAGE/ INSTRUCCIONES DE MONTAJE
ITEM NO./ARTICLE NO./ARTICULO NO: P330305
DESCRIPTION/ LA DESCRIPTION/ DESCRIPCIÓN: Display Cabinet/Armoire/Armario

⚠ WARNING	
	Children have died from furniture tipover. To reduce the risk of furniture tipover :
	• ALWAYS install tipover restraint provided. • NEVER put a TV on this product. • NEVER allow children to stand, climb or hang on drawers, doors, or shelves. • NEVER open more than one drawer at a time. • Place heaviest items in the lowest drawers.
This is a permanent label. Do not remove!	

Tipping restraint/
Liste des pièces de quincaillerie antibasculement/
Abrazadera antivuelco



Step 1
Étape 1
Paso 1

*Replaceable Part

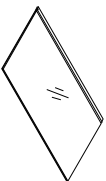
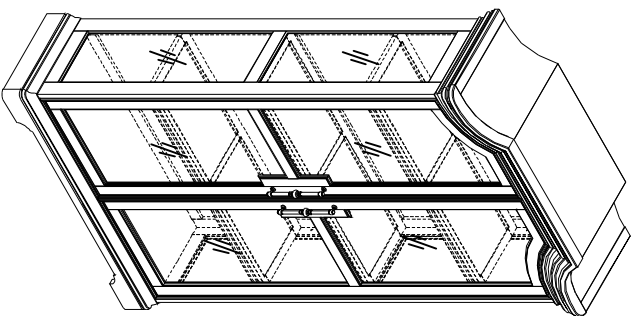
REPLACEABLE PART / PARTIE REMPLAÇABLE / PARTE REMPLAZABLE
ITEM NO./ARTICLE NO./ARTICULO NO.: P330305
DESCRIPTION/ LA DESCRIPTION/ DESCRIPCIÓN: Display Cabinet/Armoire/Armario

WARNING

Children have died from furniture tipover. To reduce the risk of furniture tipover:

- ALWAYS install tipover restraint provided.
- NEVER put a TV on this product.
- NEVER allow children to stand, climb or hang on drawers, doors, or shelves.
- NEVER open more than one drawer at a time.
- Place heaviest items in the lowest drawers.

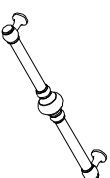
This is a permanent label. Do not remove!



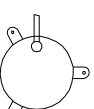
RP330305 GLASS *
 x6 Glass Shelf
 x6 Verre
 x6 Cristal



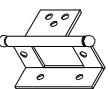
RP330305-SUPP *
 x8 Shelf Support
 x8 Supports Pour Tablette
 x8 Soporte De Las Repisas



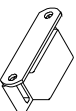
RP330-PULL *
 x2 Common Pull with Screw
 x2 poignée et vis
 x2 tirador y Tornillo



RP330305 LIGHT *
 x1 Light Kit
 x1 Lumière
 x1 luz



PR330305 HINGE *
 x8 Door Hinge
 x8 Charnière
 x8 Bisagra



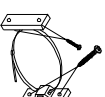
RP330305 CATCH *
 x4 Door Catch
 x4 Catch de aimant
 x4 Captura de imán



RC-FG-WHITE *
 x2 Common Adjustable Leveler
 x2 Patin réglable
 x2 Nivelador ajustable

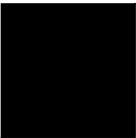


RC-WHT-NAIL *
 x2 Plastic Nail
 x2 Clou
 x2 Clavo

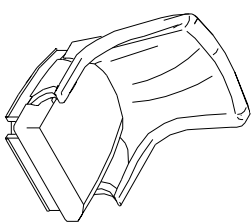
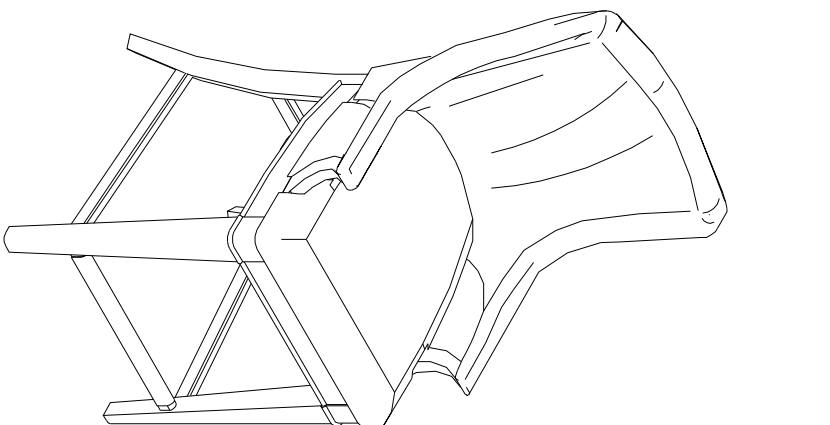


RC-ANTI-TIP *
 x1 Anti-tipping Restraint
 x1 Liste des pièces de quincaillerie antihascèlement
 x1 Lista del kit de materiales antivuelco

*Replaceable Part



PARTS LIST / LISTE DES PIÈCES / LISTA DE PIEZAS
ITEM NO./ARTICLE NO./ARTICULO NO.: P330502
DESCRIPTION/ LA DESCRIPTION/ DESCRIPCIÓN: Bar Stool/ Tabourets de bar/ Taburetes de bar



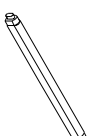
- A** * x1 Seat Cushion
- x1 Coussein de siège
- x1 cojín del asiento



- B** * x2 Front Leg
- x2 Pate avant
- x2 Pata delantera



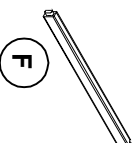
- C** * x2 Back Leg
- x2 Pate Arrière
- x2 Pata Trasera



- D** * x1 Front Stretcher
- x1 Barreau avant
- x1 Travesaño Frontal



- E** * x1 Back Stretcher
- x1 Traverse Arrière
- x1 Travesaño Trasera



- F** * x2 Side Stretcher
- x2 Traverse laterale
- x2 Travesaño lateral



- G** * x8 Ø5/16" #12 Nut
- x8 Ø5/16" #12 Écrou
- x8 Ø5/16" #12 Tuerca



- H** * x8 Lock washer Ø5/16" #Ø12*3mm
- x8 Rondelle de blocage Ø5/16" #Ø12*3mm
- x8 Arandela de Seguridad Ø5/16" #Ø12*3mm



- I** * x8 Flat Washer Ø5/16" x19x2mm
- x8 Rondelle plate Ø5/16" x19x2mm
- x8 Arandela plana Ø5/16" x19x2mm



- J** * x1 12mm Open Wrench
- x1 12mm Cle à fourche
- x1 12mm Llave de boca

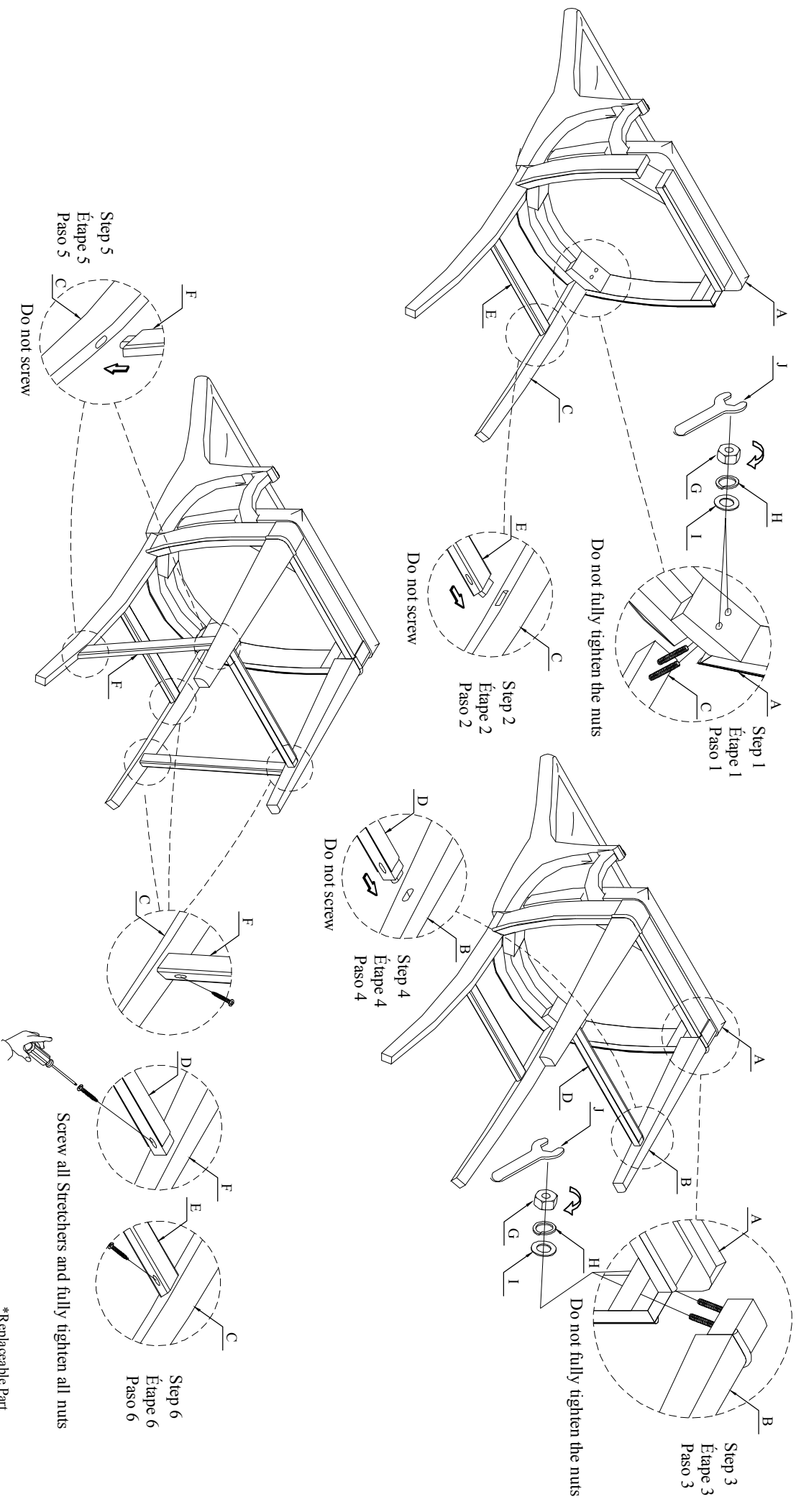


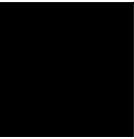
- K** * x8 #8x1-1/4" Screw
- x8 #8x1-1/4" Vis
- x8 #8x1-1/4" Tornillo

*Replaceable Part

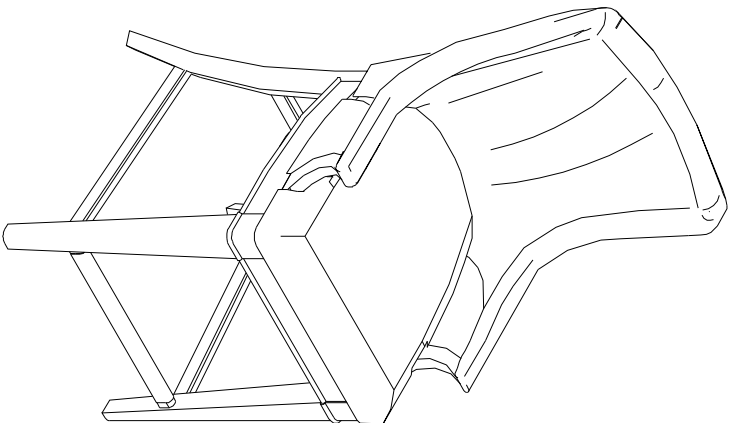


ASSEMBLY INSTRUCTIONS/ NOTICE DE MONTAGE/ INSTRUCCIONES DE MONTAJE
ITEM NO./ARTICLE NO./ARTICULO NO.: P330502
DESCRIPTION/ LA DESCRIPTION/ DESCRIPCIÓN: Bar Stool/ Tabourets de bar/ Taburetes de bar





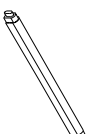
REPLACEABLE PART / PARTIE REMPLAÇABLE / PARTE REMPLAZABLE
ITEM NO./ARTICLE NO./ARTICULO NO: P330502
DESCRIPTION/ LA DESCRIPTION/ DESCRIPCIÓN: Bar Stool/ Tabourets de bar/ Taburetes de bar



RP330502 LEGF *
 x2 Front Leg
 x2 Patte avant
 x2 Pata delantera



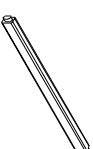
RP330502 LEGB *
 x2 Back Leg
 x2 Patte Arrière
 x2 Pata Trasera



RP330502 STRETF *
 x1 Front Stretcher
 x1 Barreau avant
 x1 Travesaño frontal



RP330502 STRETB *
 x1 Back Stretcher
 x1 Traverse Arrière
 x1 Travesaño Trasera



RP330502 STRETS *
 x2 Side Stretcher
 x2 Traverse latérale
 x2 Travesaño lateral



RC-WHT-NAIL *
 x4 Plastic Nail
 x4 Clou
 x4 Clavo



RP330502-HWKIT *
 x1 Hardware Kit
 x1 Liste des pièces de quincaillerie
 x1 Lista de materiales



RP330502-SCREW *
 x10 FB Screw
 x10 Vis
 x10 Tornillo

* Replaceable Part