

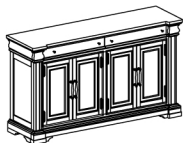
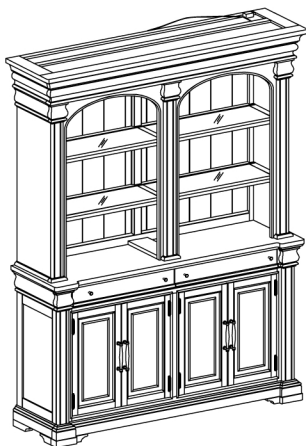
DESCRIPTION / DESCRIPCIÓN : SEVER / SEVER HUTCH
 DESSERTTE / HUCHE
 APARADOR / REPISA

WARNING

Children have died from furniture tipover. To reduce the risk of furniture tipover :

- ALWAYS install tipover restraint provided.
- NEVER put a TV on this product.
- NEVER allow children to stand, climb or hang on drawers, doors, or shelves.
- NEVER open more than one drawer at a time.
- Place heaviest items in the lowest drawers.

*This is a permanent label.
Do not remove !*



A

- x1 Sever
- x1 Desserte
- x1 Aparador



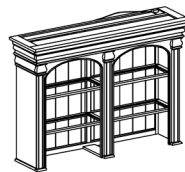
D

- x8 Allen Bolt Ø1/4" x 25mm *
- x8 Vis à tête creuse hexagonale Ø1/4 " x 25mm
- x8 Perno Allen Ø1/4 " x 25mm



G

- x1 Allen Key 4mm *
- x1 Clé hexagonale 4mm
- x1 Llave allen 4mm



B

- x1 Server Hutch
- x1 Huche
- x1 Repisa



E

- x8 Lock Washer Ø1/4" *
- x8 Rondelle de blocage Ø1/4 "
- x8 Arandela de seguridad Ø1/4 "



H

- x4 Bracket *
- x4 Support
- x4 Soporte



C

- x4 Glass shelf *
- x4 Étagère en verre
- x4 Estante de vidrio



F

- x8 Flat Washer Ø1/4" *
- x8 Rondelle de plate Ø1/4 "
- x8 Arandela plana Ø1/4 "



K

- x2 Anti tipping Restraint
- x2 Liste des pièces de quincaillerie antibasculement
- x2 Lista del kit de materiales antivuelco

* Replaceable Part

DESCRIPTION / DESCRIPCIÓN : SEVER / SEVER HUTCH
 DESSERTTE / HUCHE
 APARADOR / REPISA

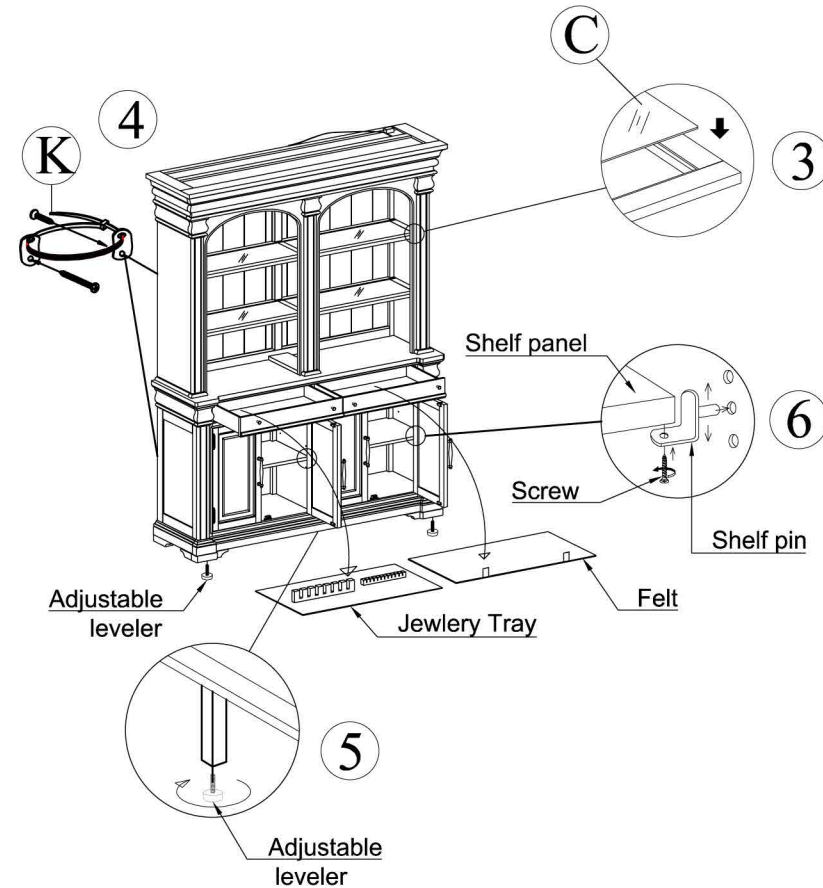
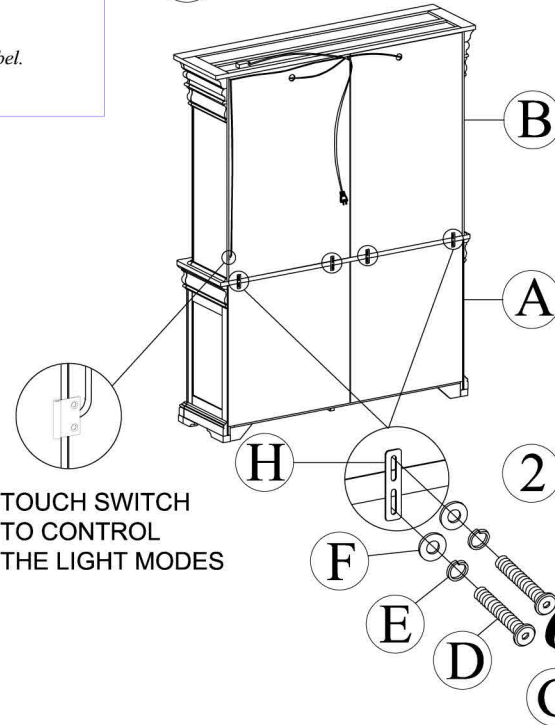
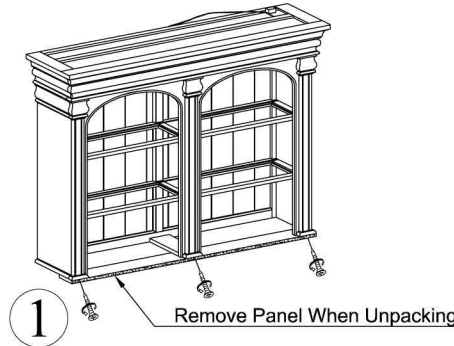
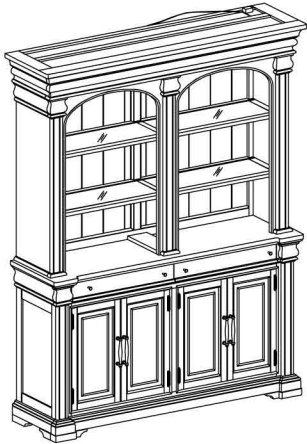
WARNING



Children have died from furniture tipover. To reduce the risk of furniture tipover :

- ALWAYS install tipover restraint provided.
- NEVER put a TV on this product.
- NEVER allow children to stand, climb or hang on drawers, doors, or shelves.
- NEVER open more than one drawer at a time.
- Place heaviest items in the lowest drawers.

This is a permanent label. Do not remove !



DESCRIPTION / DESCRIPCIÓN : SEVER / SEVER HUTCH
 DESSERTÉ / HUCHE
 APARADOR / REPISA

WARNING

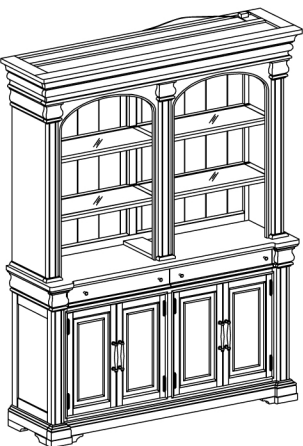


Children have died from furniture tipover. To reduce the risk of furniture tipover :

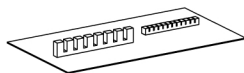
- ALWAYS install tipover restraint provided.
- NEVER put a TV on this product.
- NEVER allow children to stand, climb or hang on drawers, doors, or shelves.
- NEVER open more than one drawer at a time.
- Place heaviest items in the lowest drawers.



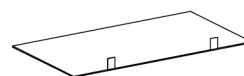
This is a permanent label. Do not remove !



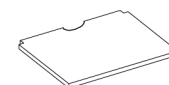
x1 RC-ANTI-TIP
 Anti tipping Restraint *
 Liste des pièces de quincaillerie antibasculement
 Lista del kit de materiales antivuelco



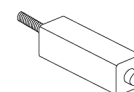
x1 RP091302-TRAY
 Jewelry Tray *
 Plateau de bijoux
 Bandeja de joyas



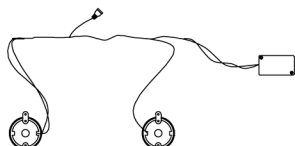
x1 RP091302-FELT
 Side Removable Felt *
 Feutre
 Fieltro



x2 RP091302-SHELF
 Wood Shelf *
 Étagère
 Estante



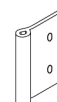
x1 RP091302-CELEG
 Center Leg Support *
 Support central
 Soporte para la pata central



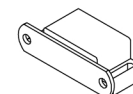
x1 RP091301-LIGHT
 Light fixture w/roll switch *
 lumière et interrupteur
 luz y interruptor



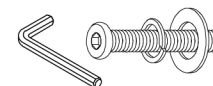
x8 RP091302-CLIP
 Shelf Clip *
 Supports Pour Tablettes
 Soporte De Las Repisas



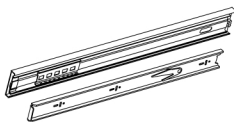
x1 RC-LED-CMD2.5A
 Control Mini Driver *
 Interrupteur
 Interruptor



x8 RPP091302-CATCH
 Door Catch *
 Catch de aimant
 Captura de iman



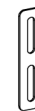
x1 RP091301-HWKIT
 Hardware Kit *
 Kit de matériel
 Kit de hardware



x2 COMGLIDE-45-12
 Common Glide 12 inch 45 mm *
 Glissière
 Carril de deslizamiento



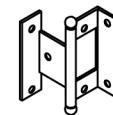
x2 RC-BR-NAIL
 Brown Plastic Nail *
 Clou en plastique
 Clavo de plástico



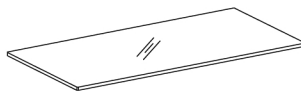
x4 RP091301-BRACKET
 Bracket *
 Support
 Soporte



x2 RP091301-CAP
 Wire Cap *
 Capuchon
 Tapa



x8 RP091302-HINGE
 Door Hinge *
 Charnière de porte
 Bisagra de la puerta



x4 RP091303-SHELF
 Glass shelf *
 Étagère en verre
 Estante de vidrio



x3 RC-FG-BROWN
 Brown Leveler *
 Patin réglable
 Nivelador



x4 RP091300-PULL
 Pull with screw *
 Poignée et vis
 Tirador y Tornillo



x4 RP091302-KNOB
 Knob with screw *
 Poignée et vis
 Tirador y Tornillo

* Replaceable Part