

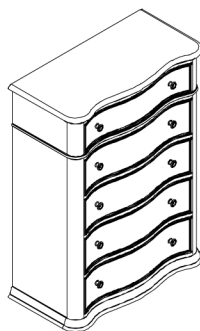
DESCRIPTION/ LA DESCRIPTION/ DESCRIPCIÓN: Chest/ Commode/ Cómoda

⚠ WARNING

Children have died from furniture tipover. To reduce the risk of furniture tipover :

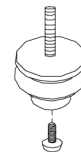
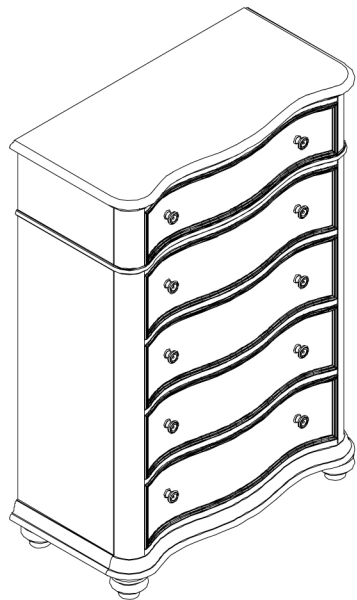
- ALWAYS install tipover restraint provided.
- NEVER put a TV on this product.
- NEVER allow children to stand, climb or hang on drawers, doors, or shelves.
- NEVER open more than one drawer at a time.
- Place heaviest items in the lowest drawers.

This is a permanent label. Do not remove!

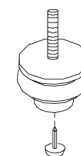
A

x1 Chest
x1 Commode
x1 Cómoda



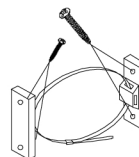
B

x2 Bun Foot (Front) *
x2 Pied en forme d'oignon (Avant)
x2 Pata redonda (Delantera)



C

x2 Bun Foot (Back) *
x2 Pied en forme d'oignon (Arrière)
x2 Pata redonda (Trasera)



D

x1 Tipping restraint *
x1 Liste des pièces de quincaillerie antibasculement
x1 Abrazadera antivuelco

*Replaceable Part

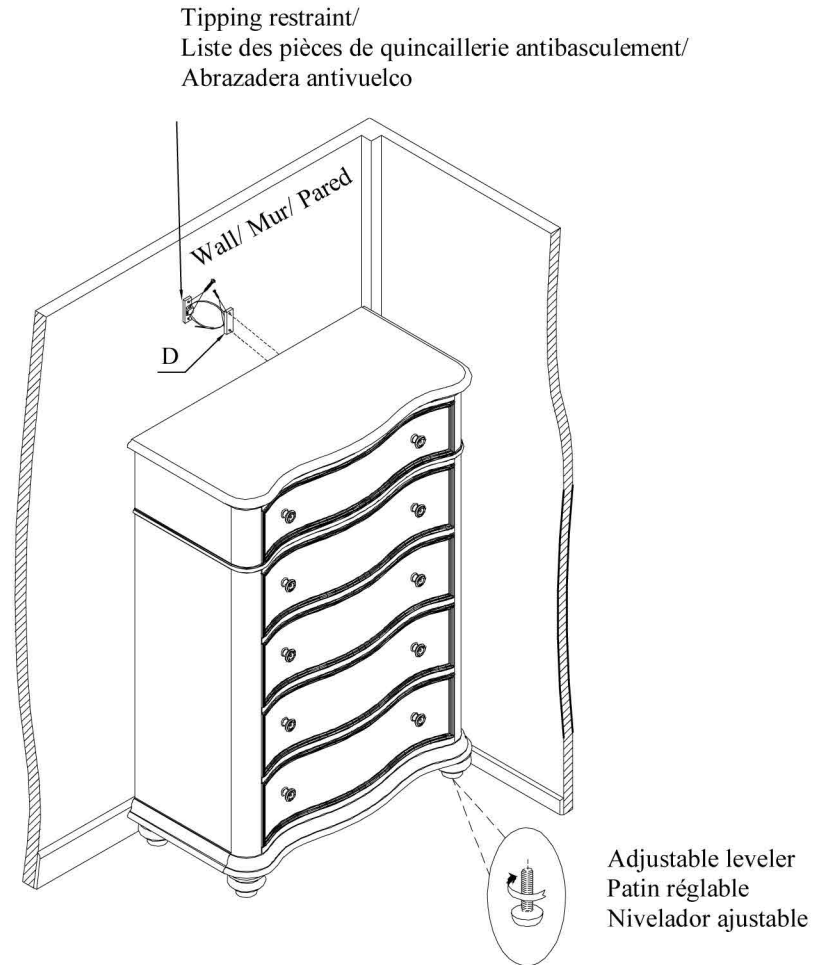
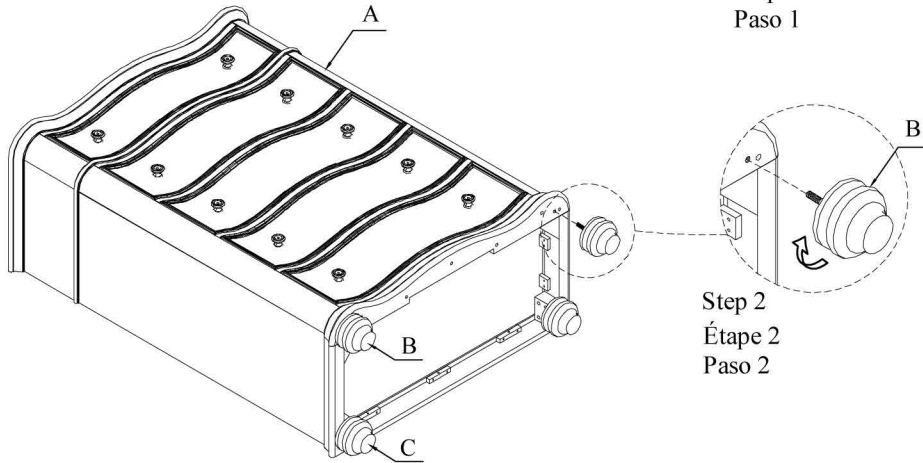
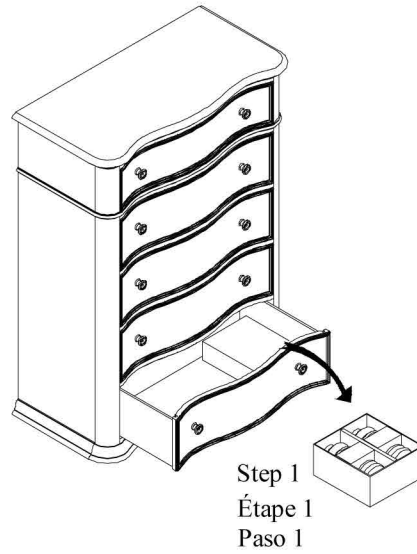
DESCRIPTION/ LA DESCRIPTION/ DESCRIPCIÓN: Chest/ Commode/ Cómoda

WARNING

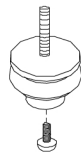
Children have died from furniture tipover. To reduce the risk of furniture tipover :

- ALWAYS install tipover restraint provided.
- NEVER put a TV on this product.
- NEVER allow children to stand, climb or hang on drawers, doors, or shelves.
- NEVER open more than one drawer at a time.
- Place heaviest items in the lowest drawers.

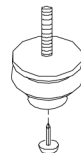
This is a permanent label. Do not remove!



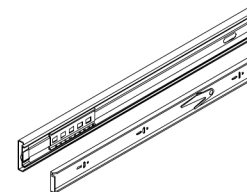
*Replaceable Part



RP293124 FOOTF *
 x2 Bun Foot (Front)
 x2 Pied en forme d'oignon (Avant)
 x2 Pata redonda (Delantera)



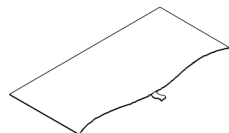
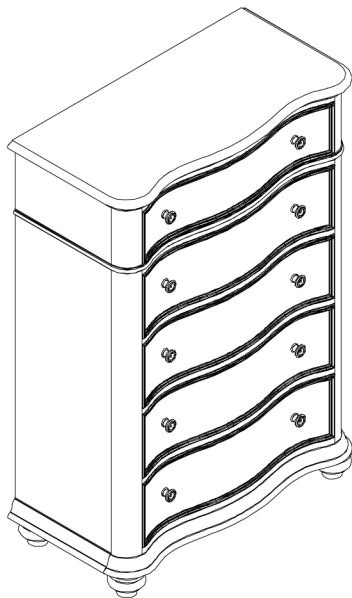
RP293124 FOOTB *
 x2 Bun Foot (Back)
 x2 Pied en forme d'oignon (Arrière)
 x2 Pata redonda (Trasera)



COMGLIDE-12-45 *
 x5 Common Drawer Glide
 x5 Glissière
 x5 Carril de deslizamiento



RP293-KNOBL *
 x10 Large Knob with Screw
 x10 Gros POIGNÉE et vis
 x10 TIRADOR grande y Tornillo



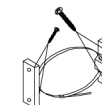
RP293124-FELT *
 x1 Removable Felt
 x1 Feutre
 x1 Fieltro



RC-FG-WHITE *
 x2 Common Adjustable Leveler
 x2 Patin réglable
 x2 Nivelador ajustable



RC-WH-NAIL *
 x2 Plastic Nail
 x2 Clou
 x2 Clavo



RC-ANTI-TIP *
 x1 Anti-tipping Restraint
 x1 Liste des pièces de quincaillerie antibasculant
 x1 Lista del kit de materiales antivuelco

*Replaceable Part