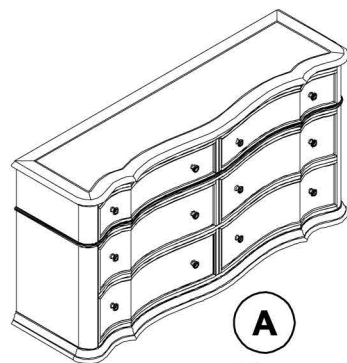
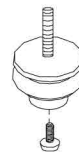


DESCRIPTION/ LA DESCRIPTION/ DESCRIPCIÓN: Dresser/ Commode/ Tocador  
MIRROR/ Miroir/ Espejo

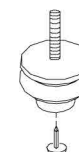
**A**

x1 Dresser  
x1 Commode  
x1 Tocador



**B**

x2 Bun Foot (Front) \*  
x2 Pied en forme d'oignon (Avant)  
x2 Pata redonda (Delantera)



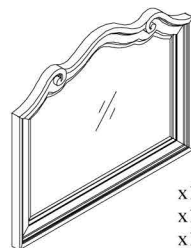
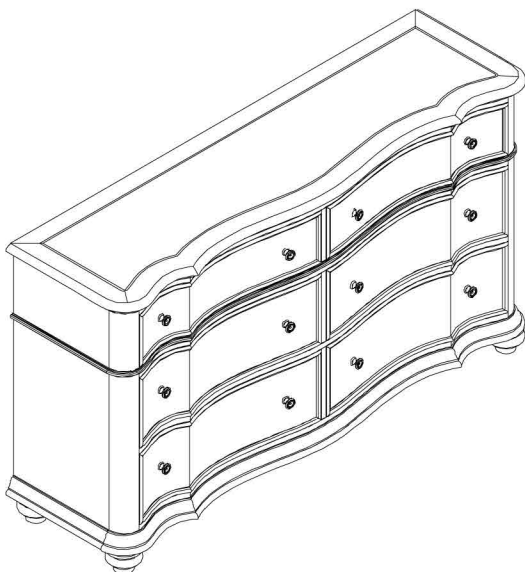
**C**

x2 Bun Foot (Back) \*  
x2 Pied en forme d'oignon (Arrière)  
x2 Pata redonda (Trasera)



**D**

x1 Center leg \*  
x1 Pattes centrales  
x1 Patas centrales



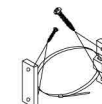
**E**

x1 Landscape Mirror  
x1 Miroir horizontal  
x1 Espejo horizontal



**F**

x2 Mirror Support \*  
x2 Supporte de miroir  
x2 Soporte del espejo



**G**

x1 Tipping restraint \*  
x1 Liste des pièces de quincaillerie antibasculement  
x1 Abrazadera antivuelco



**H**

x1 Allen Key 4mm \*  
x1 Clé hexagonale 4mm  
x1 Llave Allen 4mm



**I**

x8 Allen bolt  $\text{Ø}1/4'' \times 1-1/2''$  \*  
x8 Vis à tête creuse hexagonale  $\text{Ø}1/4'' \times 1-1/2$   
x8 Perno Allen  $\text{Ø}1/4'' \times 1-1/2$



**J**

x8 Lock washer  $\text{Ø}1/4'' \times \text{Ø}12 \times 3\text{mm}$  \*  
x8 Rondelle de blocage  $\text{Ø}1/4'' \times \text{Ø}12 \times 3\text{mm}$   
x8 Arandela de Seguridad  $\text{Ø}1/4'' \times \text{Ø}12 \times 3\text{mm}$



**K**

x8 Flat Washer  $\text{Ø}1/4'' \times 19 \times 2\text{mm}$  \*  
x8 Rondelle plate  $\text{Ø}1/4'' \times 19 \times 2\text{mm}$   
x8 Arandela plana  $\text{Ø}1/4'' \times 19 \times 2\text{mm}$

\*Replaceable Part

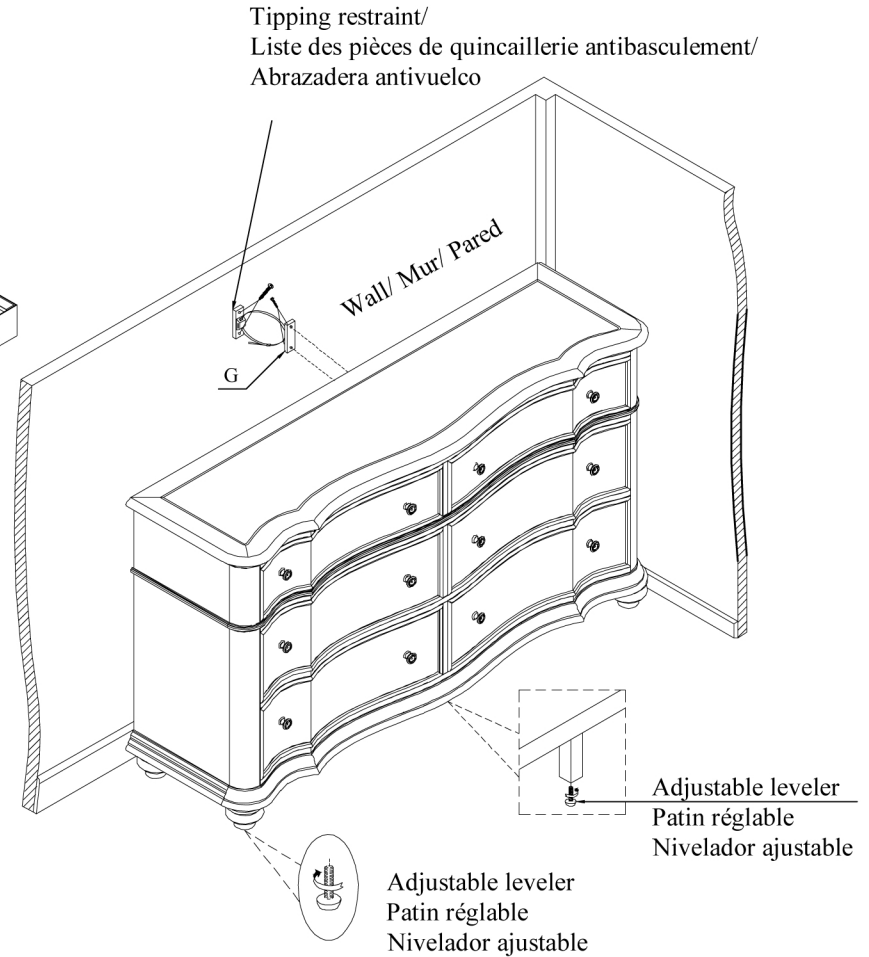
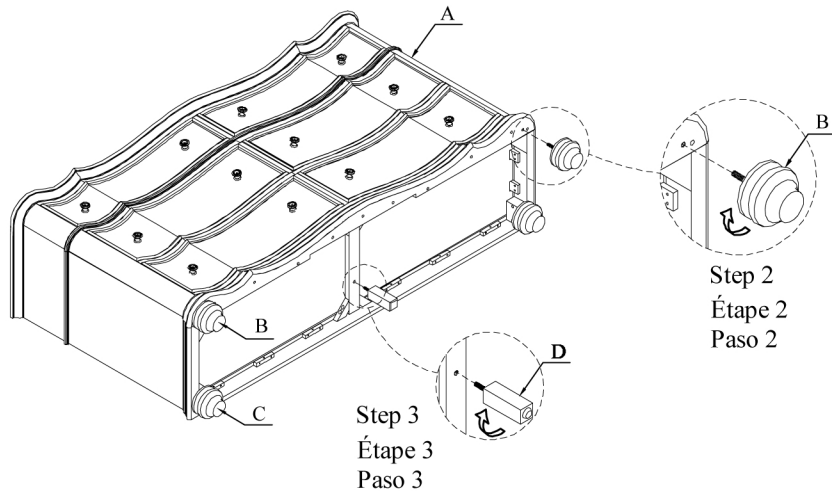
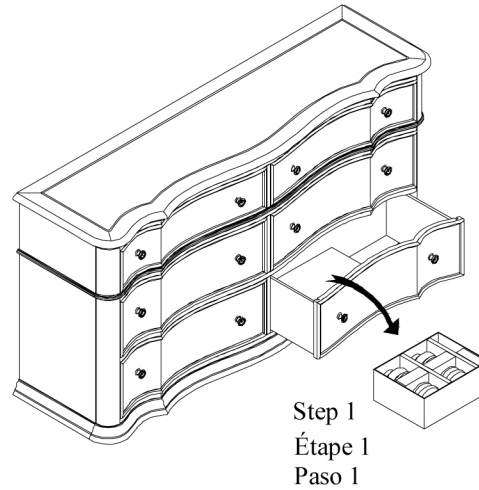
DESCRIPTION/ LA DESCRIPTION/ DESCRIPCIÓN: Dresser/ Commode/ Tocador  
 Mirror/ Miroir/ Espejo

**WARNING**

Children have died from furniture tipover. To reduce the risk of furniture tipover :

- ALWAYS install tipover restraint provided.
- NEVER put a TV on this product.
- NEVER allow children to stand, climb or hang on drawers, doors, or shelves.
- NEVER open more than one drawer at a time.
- Place heaviest items in the lowest drawers.

*This is a permanent label. Do not remove!*



\*Replaceable Part

**DESCRIPTION/ LA DESCRIPTION/ DESCRIPCIÓN: Dresser/ Commode/ Tocador**  
**Mirror/ Miroir/ Espejo**

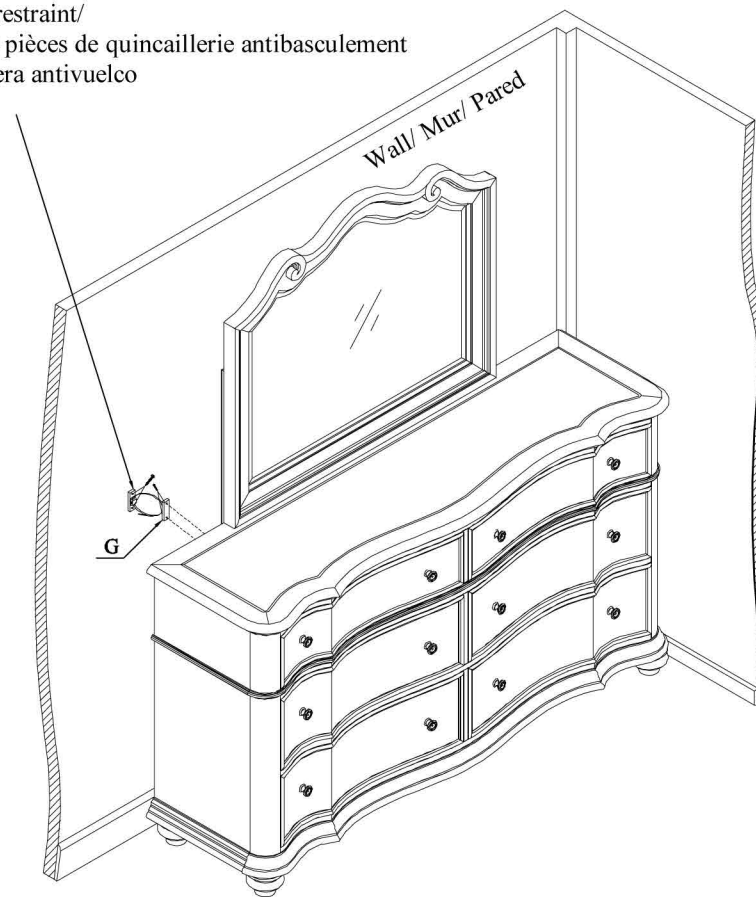
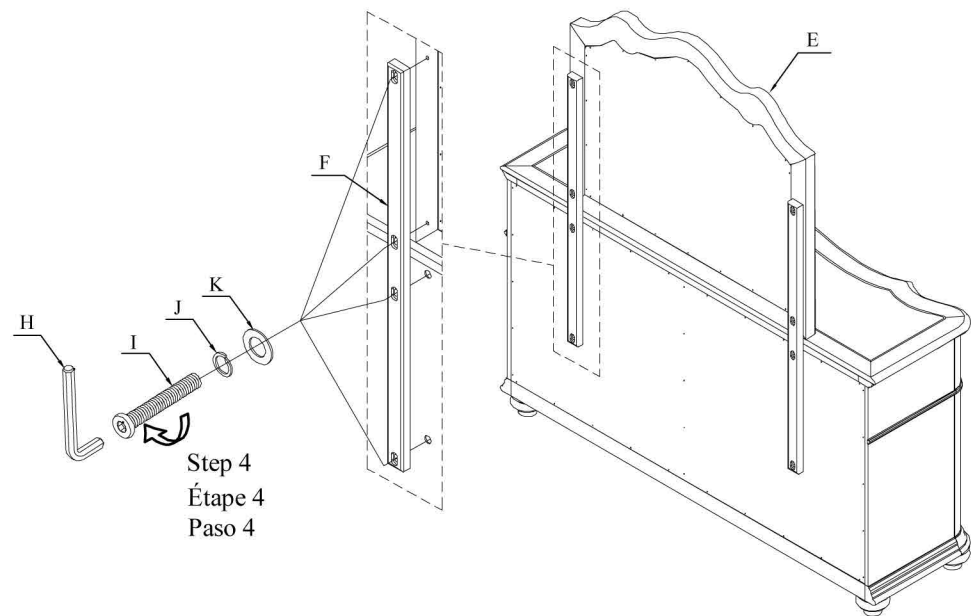
**WARNING**

Children have died from furniture tipover. To reduce the risk of furniture tipover :

- ALWAYS install tipover restraint provided.
- NEVER put a TV on this product.
- NEVER allow children to stand, climb or hang on drawers, doors, or shelves.
- NEVER open more than one drawer at a time.
- Place heaviest items in the lowest drawers.

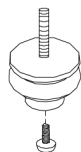
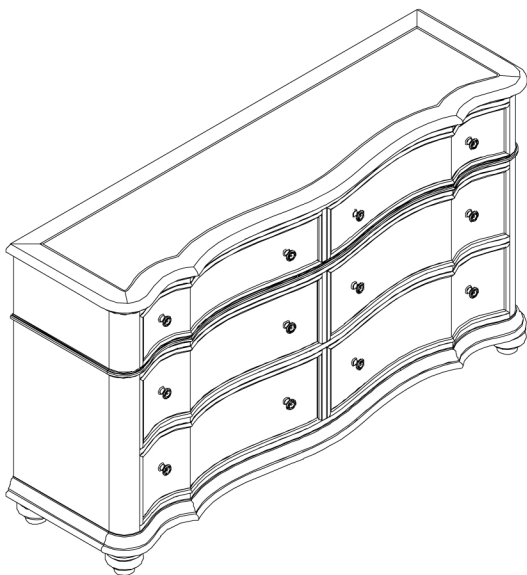
*This is a permanent label. Do not remove!*

Tipping restraint/  
 Liste des pièces de quincaillerie antibasculement  
 Abrazadera antivuelco

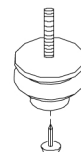


\*Replaceable Part

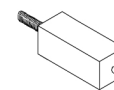
DESCRIPTION/ LA DESCRIPTION/ DESCRIPCIÓN: Dresser/ Commode/ Tocador  
Mirror/ Miroir/ Espejo



RP293100-FOOTF \*  
x2 Bun Foot (Front)  
x2 Pied en forme d'oignon (Avant)  
x2 Pata redonda (Delantera)



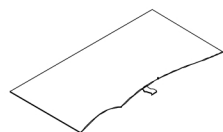
RP293100-FOOTB \*  
x2 Bun Foot (Back)  
x2 Pied en forme d'oignon (Arrière)  
x2 Pata redonda (Trasera)



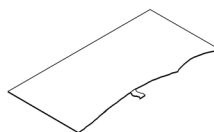
RP293100-CELEG \*  
x1 Center Leg  
x1 Pattes centrales  
x1 Patas centrales



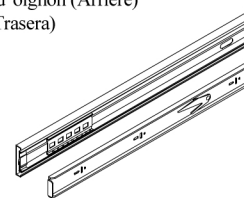
RP293110-MISU \*  
x2 Mirror Support  
x2 Supporte de miroir  
x2 Soporte del espejo



RP293100-FELTL \*  
x1 Left Removable Felt  
x1 Gauche Feutre  
x1 Izquierda Fieltro



RP293100-FELTR \*  
x1 Right Removable Felt  
x1 Droite Feutre  
x1 Derecha Fieltro



COMGLIDE-12-45 \*  
x6 Common Drawer Glide  
x6 Glissière  
x6 Carril de deslizamiento



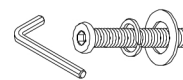
RP293-KNOBL \*  
x12 Large Knob with Screw  
x12 Gros POIGNÉE et vis  
x12 TIRADOR grande y Tornillo



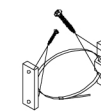
RC-FG-WHITE \*  
x3 Common Adjustable Leveler  
x3 Patin réglable  
x3 Nivelador ajustable



RC-WH-NAIL \*  
x2 Plastic Nail  
x2 Clou  
x2 Clavo



RP293110-HWKIT \*  
x1 Hardware Kit  
x1 Liste des pièces de quincaillerie  
x1 Lista del kit de materiales



RC-ANTI-TIP \*  
x1 Anti-tipping Restraint  
x1 Liste des pièces de quincaillerie antibasculement  
x1 Lista del kit de materiales antivuelco

\*Replaceable Part