

PARTS LIST / LISTE DES PIÈCES / LISTA DE PIEZAS

DESCRIPTION / LA DESCRIPTION / DESCRIPCIÓN : CHEST / COMMODE / CÓMODA

⚠ WARNING

Children have died from furniture tipover. To reduce the risk of furniture tipover:

- ALWAYS install tipover restraint provided.
- NEVER put a TV on this product.
- NEVER allow children to stand, climb or hang on drawers, doors, or shelves.
- NEVER open more than one drawer at a time.
- Place heaviest items in the lowest drawers.

This is a permanent label. Do not remove!



(A)

x1 Chest
x1 Commode
x1 Cómoda



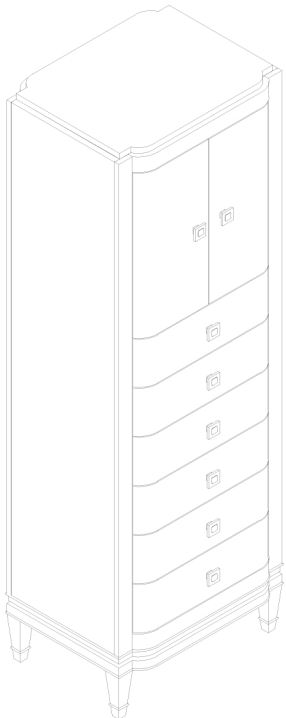
(B)

x4 Leg *
x4 Jambes
x4 Piernas



(C)

x1 Furniture Tipping Restraint *
x1 Systeme antibasculement
x1 Control para evitar vulcos



* Replaceable Part

⚠ WARNING



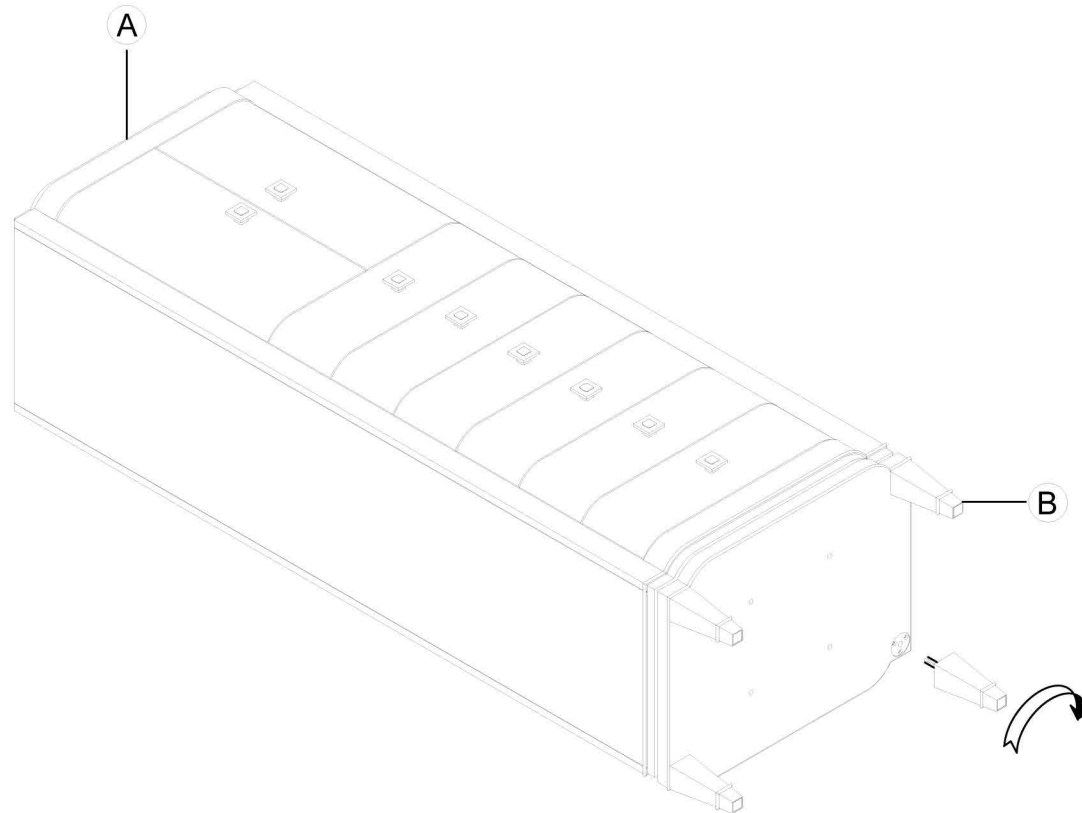
Children have died from furniture tipover. To reduce the risk of furniture tipover:

- ALWAYS install tipover restraint provided.
- NEVER put a TV on this product.
- NEVER allow children to stand, climb or hang on drawers, doors, or shelves.
- NEVER open more than one drawer at a time.
- Place heaviest items in the lowest drawers.



*This is a permanent label.
Do not remove!*

1



* Replaceable Part

⚠ WARNING

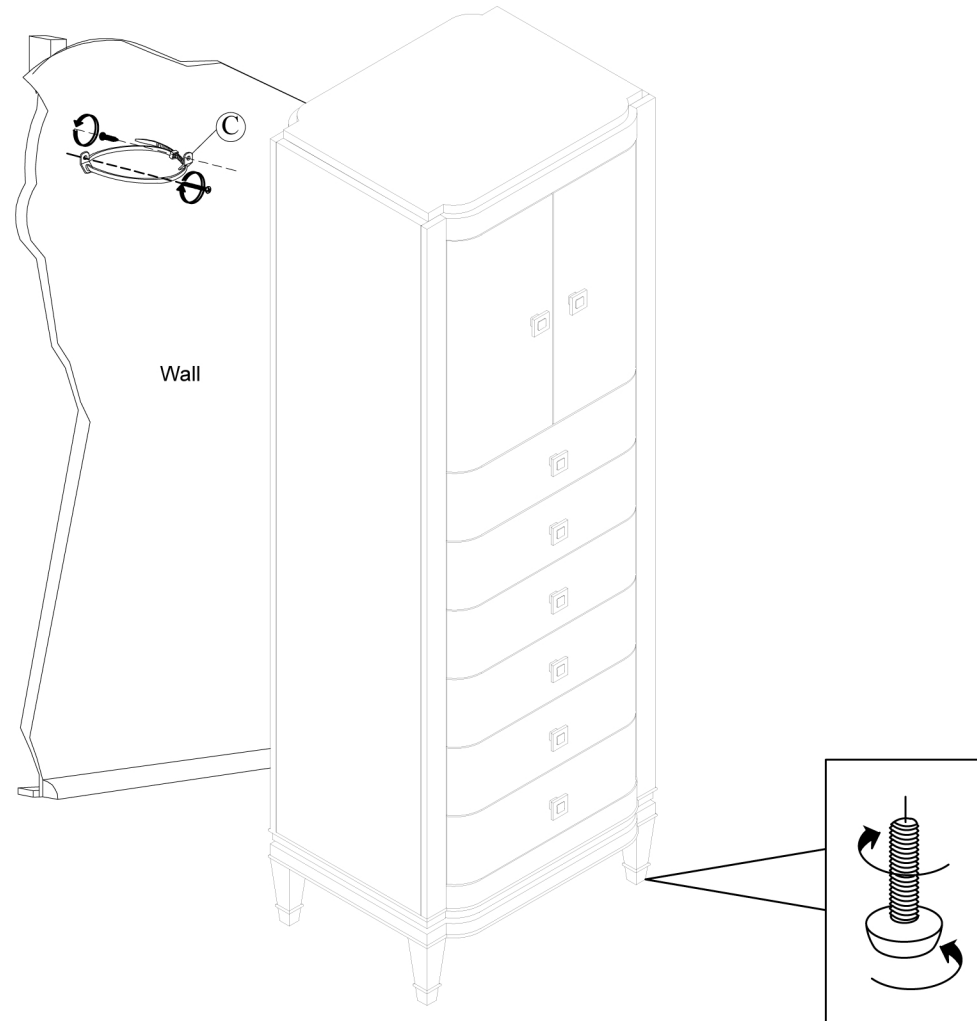
 Children have died from furniture tipover. To reduce the risk of furniture tipover:

- ALWAYS install tipover restraint provided.
- NEVER put a TV on this product.
- NEVER allow children to stand, climb or hang on drawers, doors, or shelves.
- NEVER open more than one drawer at a time.
- Place heaviest items in the lowest drawers.

*This is a permanent label.
Do not remove!*



2



* Replaceable Part

REPLACEABLE PART / PARTIE REMPLAÇABLE / PARTE REEMPLAZABLE

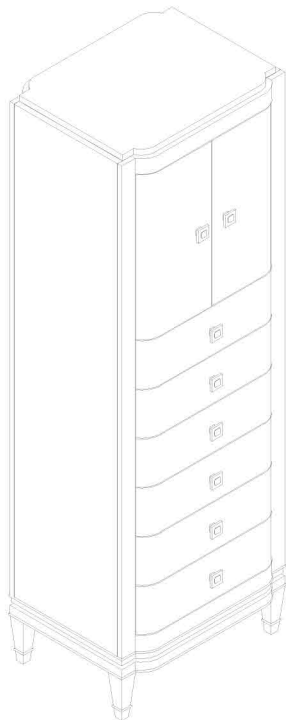
DESCRIPTION / LA DESCRIPCION / DESCRIPCIÓN : CHEST / COMMODE / CÓMODA

⚠ WARNING

Children have died from furniture tipover. To reduce the risk of furniture tipover:

- ALWAYS install tipover restraint provided.
- NEVER put a TV on this product.
- NEVER allow children to stand, climb or hang on drawers, doors, or shelves.
- NEVER open more than one drawer at a time.
- Place heaviest items in the lowest drawers.

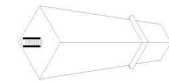
This is a permanent label. Do not remove!



x8 RP344-KNOB - Knob with Screw *
Poignée et vis
Tirador y Tornillo



x6 COMGLIDE-14-45 - CommonGlide 14in 45mm *
Glissière
Carril de deslizamiento



x4 RP344100-LEG - Leg *
Jambes
Piernas



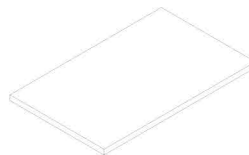
x1 RC-ANTI-TIP - Furniture Tipping Restraint *
Système antibasculement
Control para evitar vuelcos



x4 RP344122-HINGE - Door Hinge *
Charnière de porte
Bisagra de la puerta



x2 RP344122-CATCH - Door Catch *
Catch de aimant
Captura de imán



x1 RP344122-SHELF - Wood Shelf *
Étagère
Estante



x4 RP344122-SUPP - Shelf Support *
Supports Pour Tablette
Soporte De Las Repisas



x4 RC-FG-WHITE - White leveler *
Patin réglable
Nivelador

* Replaceable Part

Protect Your Wood or Laminate Flooring

*This statement applies to any floor without carpet.

If not careful, all furniture including upholstery and case pieces can scratch, scuff and even gouge floors. The recommendation is to have felt, rubber pads or area rugs under furniture on flooring without carpet.

Moving your furniture

Pushing and dragging furniture over floors without carpet can lead to scratches and scuffs. Have someone help when moving the larger pieces of furniture by lifting, try using a dolly or moving pads.

Felt and rubber pads

Applying furniture pads to the feet of furniture helps cushion contact points. Furniture pads can be found at local hardware stores. Felt pads slide easily across the floor, making them ideal for dining chairs and other pieces that move with use. Rubber pads will help furniture stay in place and are perfect for larger pieces, like sofas and loveseats.

Area rugs and rug pads

Using an area rug under furniture is another way to protect your floor from scratches and scuff marks. A rug pad under the area rug will provide extra cushion and added protection.