

# PARTS LIST / LISTE DES PIÈCES / LISTA DE PIEZAS

DESCRIPTION / DESCRIPCIÓN : DRESSER / COMMODE / TOCADOR  
MIRROR / MIROIR / ESPEJO

## WARNING

Serious or fatal crushing injuries can occur from furniture tip-over. To help prevent tip-over:

- Install tipover restraint provided.
- Place heaviest items in the lowest drawers.
- Do not set TV's or other heavy objects on top of this product, unless the product is specifically designed to accommodate them.
- Never allow children to climb or hang on drawers, doors, or shelves.
- Never open more than one drawer at a time. (CR)
- Do not defeat or remove the drawer interlock system.

Use of tip-over restraints may only reduce, but not eliminate, the risk of tip-over.

This is a permanent label. Do not remove!



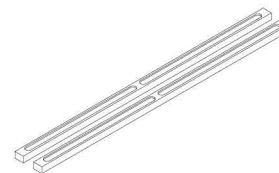
**A**

x1 Dresser \*  
x1 Commode  
x1 Tocador



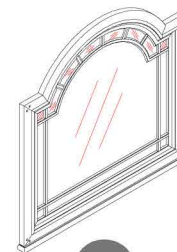
**B**

x1 Support Leg \*  
x1 Pied  
x1 Pata de soporte



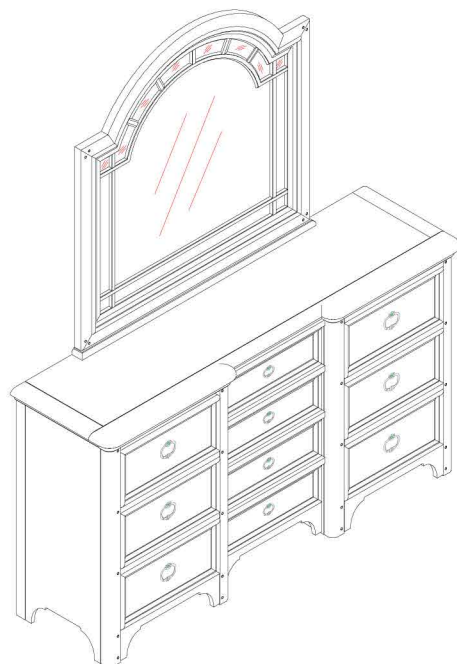
**C**

x2 Mirror Support \*  
x2 Supporte de miroir  
x2 Soporte del espejo



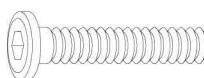
**D**

x1 Mirror \*  
x1 Miroir  
x1 Espejo



**E**

x1 Furniture Tipping Restraint \*  
x1 Systeme antibasculement  
x1 Control para evitar vulcos



**F**

x8 Allen bolt  $\phi 1/4 \times 38\text{mm}$  \*  
x8 Vis à tête creuse hexagonale  $\phi 1/4 \times 38\text{mm}$   
x8 Perno Allen  $\phi 1/4 \times 38\text{mm}$



**G**

x8 Spring washer  $\phi 1/4$  \*  
x8 Rondelle à ressort  $\phi 1/4$   
x8 Arandela auto-bloqueante  $\phi 1/4$ "



**H**

x8 Flat washers  $\phi 1/4 \times 19 \times 2\text{mm}$  \*  
x8 Rondelle plate  $\phi 1/4 \times 19 \times 2\text{mm}$   
x8 Arandelas planas  $\phi 1/4 \times 19 \times 2\text{mm}$



**I**

x1 Allen Key 4mm \*  
x1 Clé hexagonale 4mm  
x1 Llave Allen 4mm

\* Replaceable Part

DESCRIPTION / DESCRIPCIÓN : DRESSER / COMMODE / TOCADOR  
MIRROR / MIROIR / ESPEJO

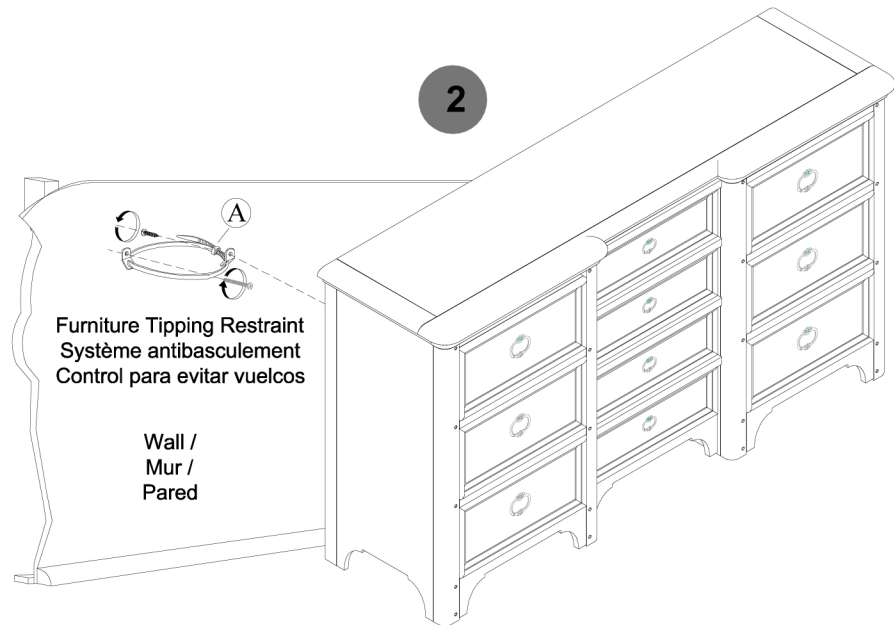
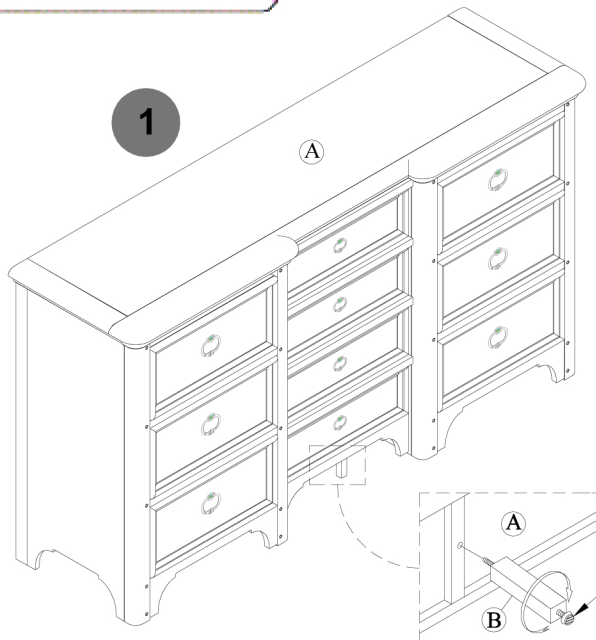
**WARNING**

Serious or fatal crushing injuries can occur from furniture tip-over. To help prevent tip-over:

- Install tipover restraint provided.
- Place heaviest items in the lowest drawers.
- Do not set TV's or other heavy objects on top of this product, unless the product is specifically designed to accommodate them.
- Never allow children to climb or hang on drawers, doors, or shelves.
- Never open more than one drawer at a time. (CR)
- Do not defeat or remove the drawer interlock system.

Use of tip-over restraints may only reduce, but not eliminate, the risk of tip-over.

This is a permanent label. Do not remove!



Furniture Tipping Restraint  
Système antibasculement  
Control para evitar vuelcos

Wall /  
Mur /  
Pared

Adjustable leveler (1 pc)  
Patin réglable (x 1)  
Nivelador ajustable (1 pza)

\* Replaceable Part

DESCRIPTION / DESCRIPCIÓN : DRESSER / COMMODE / TOCADOR  
MIRROR / MIROIR / ESPEJO

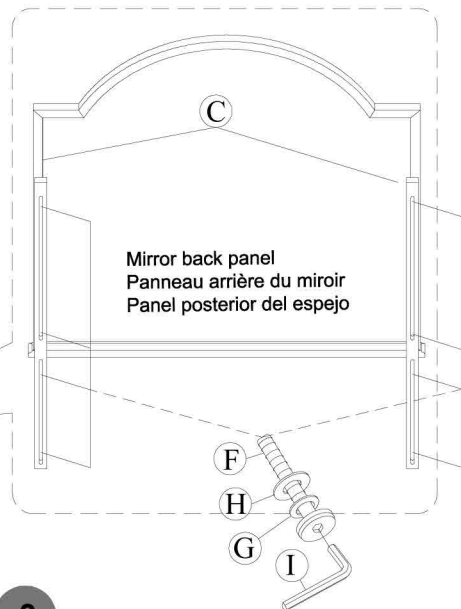
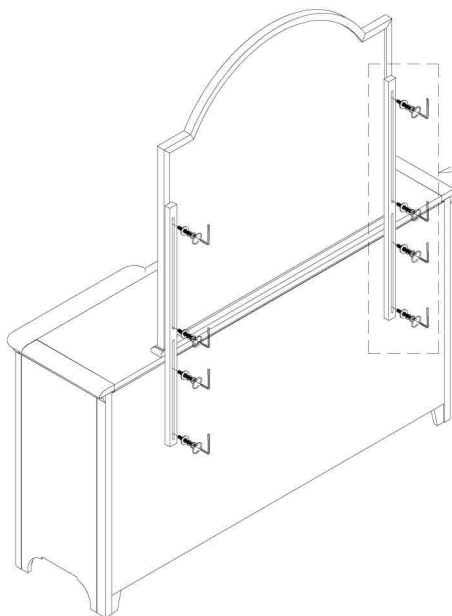
**WARNING**

Serious or fatal crushing injuries can occur from furniture tip-over. To help prevent tip-over:

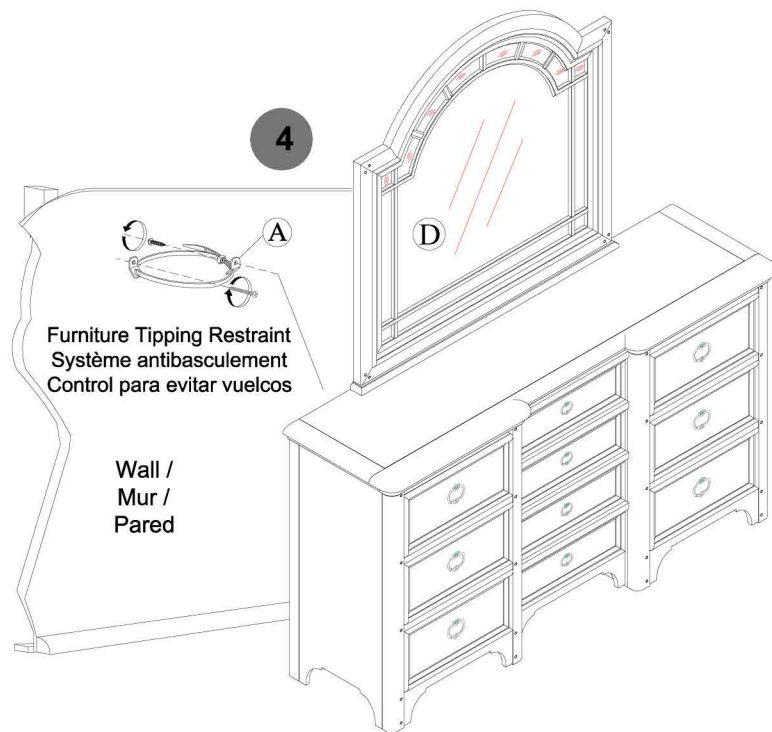
- Install tipover restraint provided.
- Place heaviest items in the lowest drawers.
- Do not set TVs or other heavy objects on top of this product, unless the product is specifically designed to accommodate them.
- Never allow children to climb or hang on drawers, doors, or shelves.
- Never open more than one drawer at a time. (CR)
- Do not defeat or remove the drawer interlock system.

Use of tip-over restraints may only reduce, but not eliminate, the risk of tip-over.

This is a permanent label. Do not remove!



3



\* Replaceable Part

DESCRIPTION / DESCRIPCIÓN : DRESSER / COMMODE / TOCADOR  
MIRROR / MIROIR / ESPEJO

**WARNING**

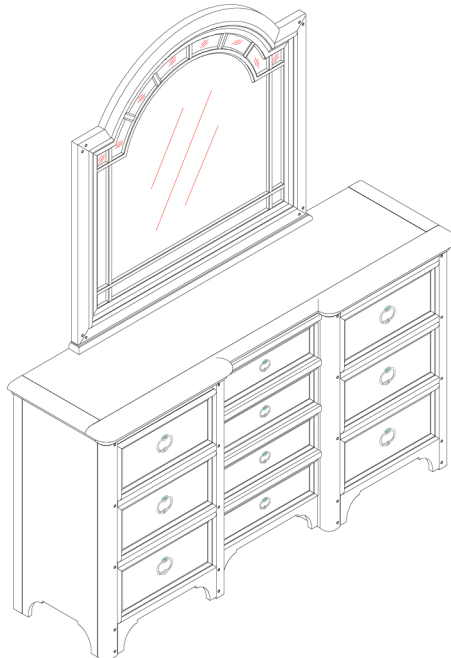


Serious or fatal crushing injuries can occur from furniture tip-over. To help prevent tip-over:

- Install tipover restraint provided.
- Place heaviest items in the lowest drawers.
- Do not set TVs or other heavy objects on top of this product, unless the product is specifically designed to accommodate them.
- Never allow children to climb or hang on drawers, doors, or shelves.
- Never open more than one drawer at a time. (CR)
- Do not defeat or remove the drawer interlock system.

Use of tip-over restraints may only reduce, but not eliminate, the risk of tip-over.

*This is a permanent label. Do not remove!*



x6 RP166100-PULLL-Large Pull with Screw \*  
Poignée + vis  
Tirador + Tornillo



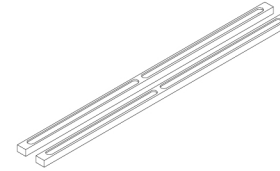
x4 RP166100-PULLS-Small Pull with Screw \*  
Poignée + vis  
Tirador + Tornillo



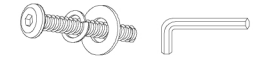
x1 RP166100-CELEG-Center Support Leg \*  
Support central  
Soporte para la pata central



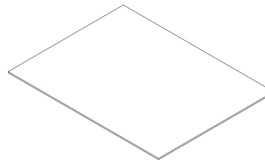
x10 COMGLIDE-12-35-Glide 12inch 35mm \*  
Glissière  
Carril de deslizamiento



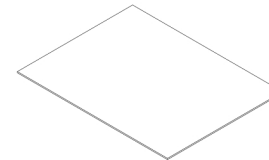
x2 RP166110-MISU-Mirror Support \*  
Supporte de miroir  
Soporte del espejo



x1 RP166110-HWKIT-Hardware Kit \*  
Liste des pièces de quincaillerie  
Lista del kit de materiales



x1 RP166100-FELTM-Middle Removable Felt \*  
Feutre  
Fieltro



x2 RP166100-FELTS-Side Removable Felt \*  
Feutre  
Fieltro

\* Replaceable Part