

PARTS LIST / LISTE DES PIÈCES / LISTA DE PIEZAS

DESCRIPTION / LA DESCRIPCION / DESCRIPCIÓN : UPHOLSTERED ARM CHAIR / CHAISE À ACCOUDOIRS / SILLA DE BRAZOS



(A)

x1 Chair Back
x1 Dossier de chaise
x1 Respaldo de silla



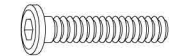
(B)

x2 Back Leg ★
x2 Patte arrière
x2 Pata trasera



(C)

x2 Front Leg ★
x2 Patte avant
x2 Pata delantera



(D)

x8 Allen bolt $\phi 5/16$ "x57mm ★
x8 Vis à tête creuse hexagonale $\phi 5/16$ "x57mm
x8 Perno Allen $\phi 5/16$ "x57mm



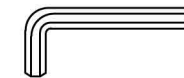
(E)

x8 Lock washer $\phi 5/16$ " ★
x8 Rondelle de blocage $\phi 5/16$ "
x8 Arandela de Seguridad $\phi 5/16$ "



(F)

x8 Flat Washer $\phi 5/16$ "x22x1.5mm ★
x8 Rondelle plate $\phi 5/16$ "x22x1.5mm
x8 Arandela plana $\phi 5/16$ "x22x1.5mm



(G)

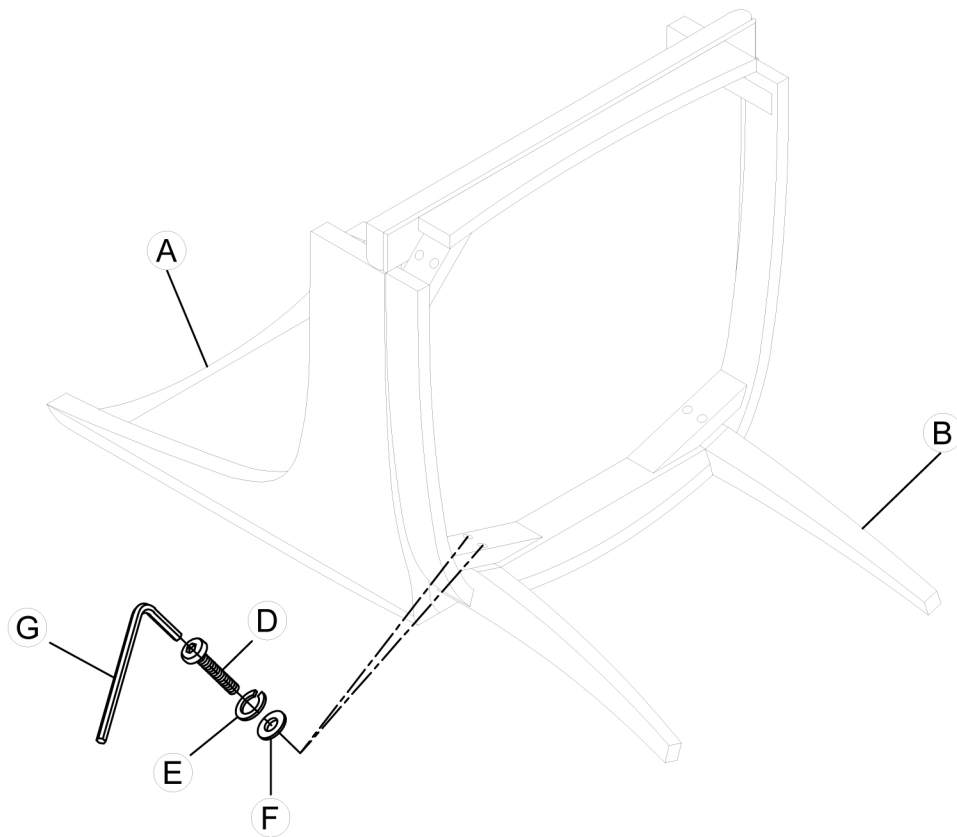
x1 Allen Key 5mm ★
x1 Clé hexagonale 5mm
x1 Llave Allen 5mm

★ Replaceable Part

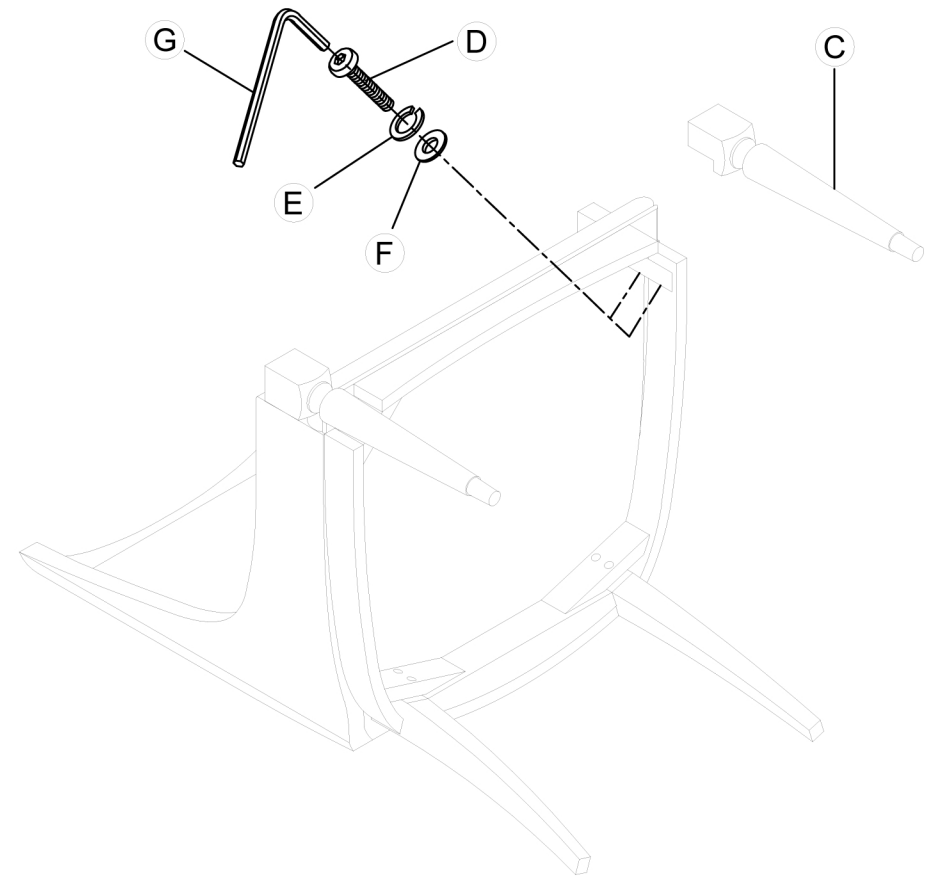
ASSEMBLY INSTRUCTIONS / NO TICE DE MONTAGE / INSTRUCCIONES DE MONTAJE

DESCRIPTION / LA DESCRIPCION / DESCRIPCIÓN : UPHOLSTERED ARM CHAIR / CHAISE À ACCOUDOIRS / SILLA DE BRAZOS

1



2



* Replaceable Part

REPLACEABLE PART / PARTIE REMPLAÇABLE / PARTE REEMPLAZABLE

DESCRIPTION / LA DESCRIPCION / DESCRIPCIÓN : UPHOLSTERED ARM CHAIR / CHAISE À ACCOUDOIRS / SILLA DE BRAZOS



x2 RP344271-LEGB – Back Leg *
Patte arrière
Pata trasera



x2 RP344271-LEGF - Front Leg *
Patte avant
Pata delantera



x1 RP344271-HWKIT-Hardware Kit *
Liste des pièces de quincaillerie
Lista del kit de materiales

* Replaceable Part

Protect Your Wood or Laminate Flooring

*This statement applies to any floor without carpet.

If not careful, all furniture including upholstery and case pieces can scratch, scuff and even gouge floors. The recommendation is to have felt, rubber pads or area rugs under furniture on flooring without carpet.

Moving your furniture

Pushing and dragging furniture over floors without carpet can lead to scratches and scuffs. Have someone help when moving the larger pieces of furniture by lifting, try using a dolly or moving pads.

Felt and rubber pads

Applying furniture pads to the feet of furniture helps cushion contact points. Furniture pads can be found at local hardware stores. Felt pads slide easily across the floor, making them ideal for dining chairs and other pieces that move with use. Rubber pads will help furniture stay in place and are perfect for larger pieces, like sofas and loveseats.

Area rugs and rug pads

Using an area rug under furniture is another way to protect your floor from scratches and scuff marks. A rug pad under the area rug will provide extra cushion and added protection.