

PARTS LIST / LISTE DES PIÈCES / LISTA DE PIEZAS

DESCRIPTION / LA DESCRIPCION / DESCRIPCIÓN : China Cabinet Base / Base de Armoire / Base de Gabinete
China Cabinet Hutch / Huche de Armoire / Repisa de Gabinete

⚠ WARNING

Children have died from furniture tipover. To reduce the risk of furniture tipover:

- ALWAYS install tipover restraint provided.
- NEVER put a TV on this product.
- NEVER allow children to stand, climb or hang on drawers, doors, or shelves.
- NEVER open more than one drawer at a time.
- Place heaviest items in the lowest drawers.

This is a permanent label. Do not remove!




(A)

x1 China Cabinet Hutch
x1 Huche de Armoire
x1 Repisa de Gabinete



(B)

x1 China Cabinet Base
x1 Base de Armoire
x1 Base de Gabinete



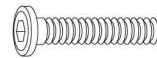
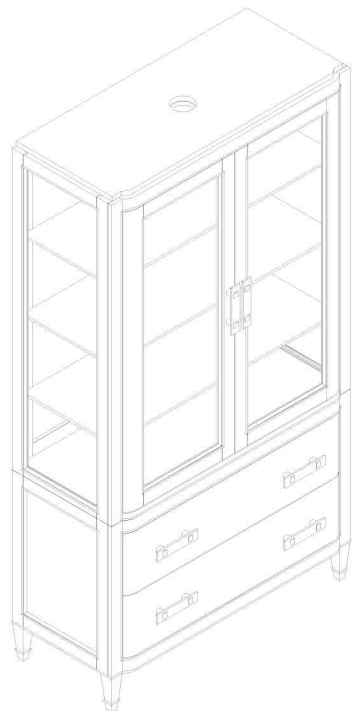
(C)

x4 Leg *
x4 Jambes
x4 Piernas



(D)

x1 Furniture Tipping Restraint *
x1 Systeme antibasculement
x1 Control para evitar vulcos



(E)

x4 Allen bolt $\phi 1/4$ "x25mm *
x4 Vis à tête creuse hexagonale $\phi 1/4$ "x25mm
x4 Perno Allen $\phi 1/4$ "x25mm



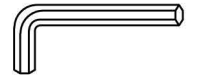
(F)

x4 Lock washer $\phi 1/4$ " *
x4 Rondelle de blocage $\phi 1/4$ "
x4 Arandela de Seguridad $\phi 1/4$ "



(G)

x4 Flat Washer $\phi 1/4$ "x19x1.5mm *
x4 Rondelle plate $\phi 1/4$ "x19x1.5mm
x4 Arandela plana $\phi 1/4$ "x19x1.5mm



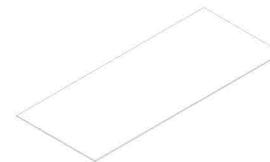
(H)

x1 Allen Key 4mm *
x1 Clé hexagonale 4mm
x1 Llave Allen 4mm



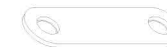
(I)

x12 Pin *
x12 Goupille
x12 Pasador cilíndrico



(J)

x3 Glass shelf *
x3 Étagère en verre
x3 Estante de vidrio



(K)

x2 Metal Plate *
x2 Plaque de métal
x2 Placa de metal

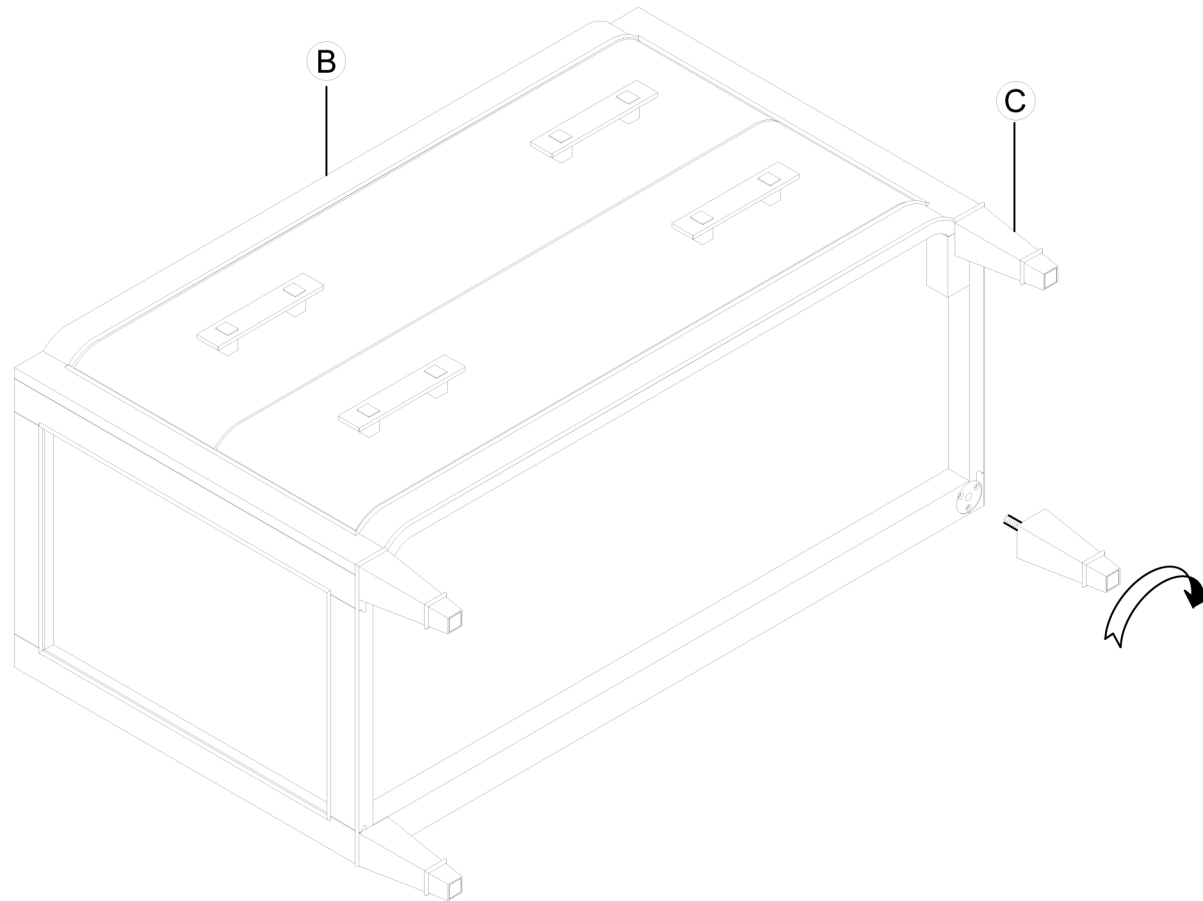
* Replaceable Part

ASSEMBLY INSTRUCTIONS / NO TICE DE MONTAGE / INSTRUCCIONES DE MONTAJE

DESCRIPTION / LA DESCRIPCION / DESCRIPCIÓN : China Cabinet Base / Base de Armoire / Base de Gabinete
China Cabinet Hutch / Huche de Armoire / Repisa de Gabinete

⚠ WARNING	
	Children have died from furniture tipover. To reduce the risk of furniture tipover: <ul style="list-style-type: none">• ALWAYS install tipover restraint provided.• NEVER put a TV on this product.• NEVER allow children to stand, climb or hang on drawers, doors, or shelves.• NEVER open more than one drawer at a time.• Place heaviest items in the lowest drawers. <p><i>This is a permanent label. Do not remove!</i></p>
	

1



* Replaceable Part

ASSEMBLY INSTRUCTIONS / NO TICE DE MONTAGE / INSTRUCCIONES DE MONTAJE

DESCRIPTION / LA DESCRIPCION / DESCRIPCIÓN : China Cabinet Base / Base de Armoire / Base de Gabinete
China Cabinet Hutch / Huche de Armoire / Repisa de Gabinete

⚠ WARNING

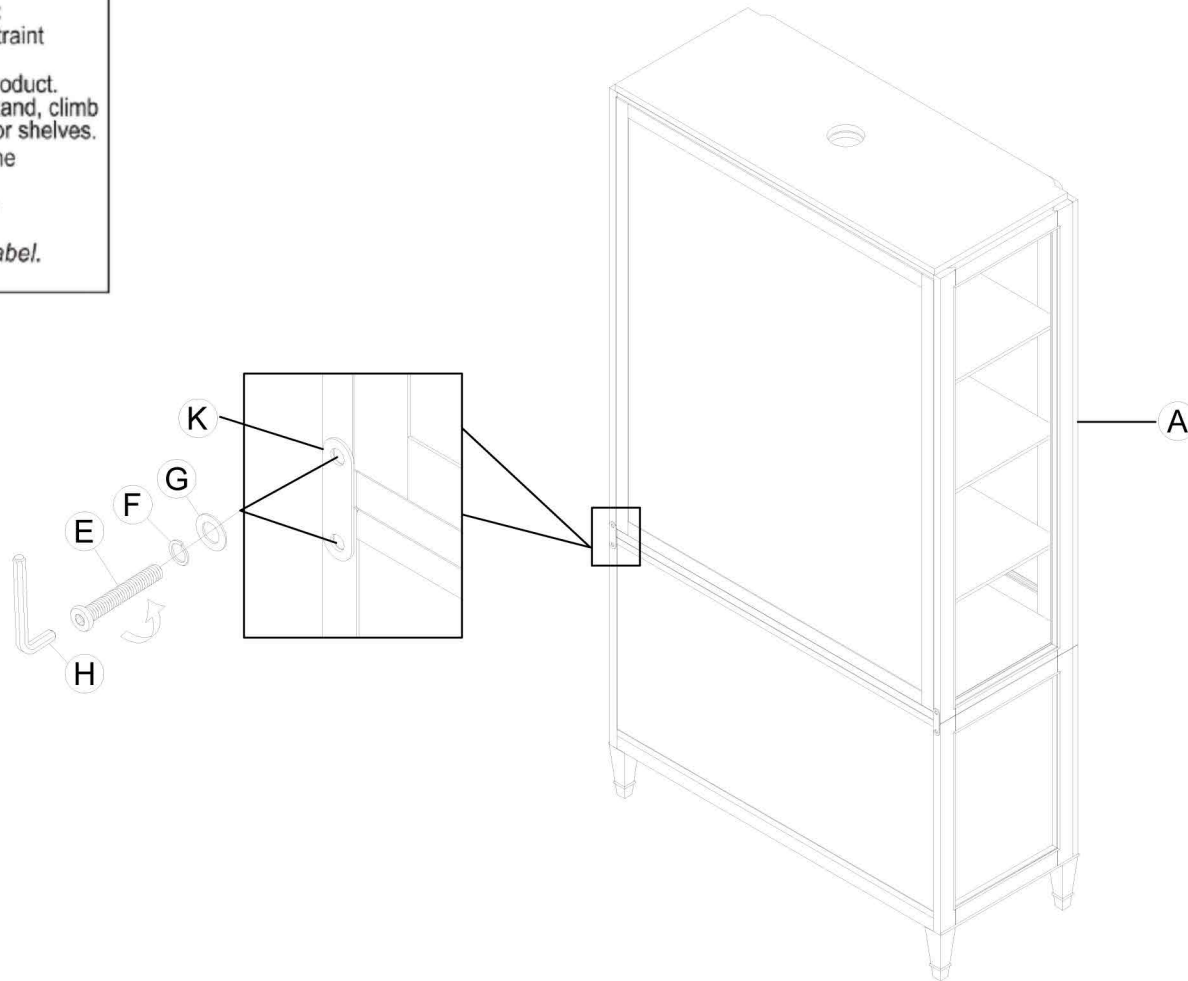
Children have died from furniture tipover. To reduce the risk of furniture tipover:

- ALWAYS install tipover restraint provided.
- NEVER put a TV on this product.
- NEVER allow children to stand, climb or hang on drawers, doors, or shelves.
- NEVER open more than one drawer at a time.
- Place heaviest items in the lowest drawers.

This is a permanent label. Do not remove!



2



* Replaceable Part

ASSEMBLY INSTRUCTIONS / NO TICE DE MONTAGE / INSTRUCCIONES DE MONTAJE

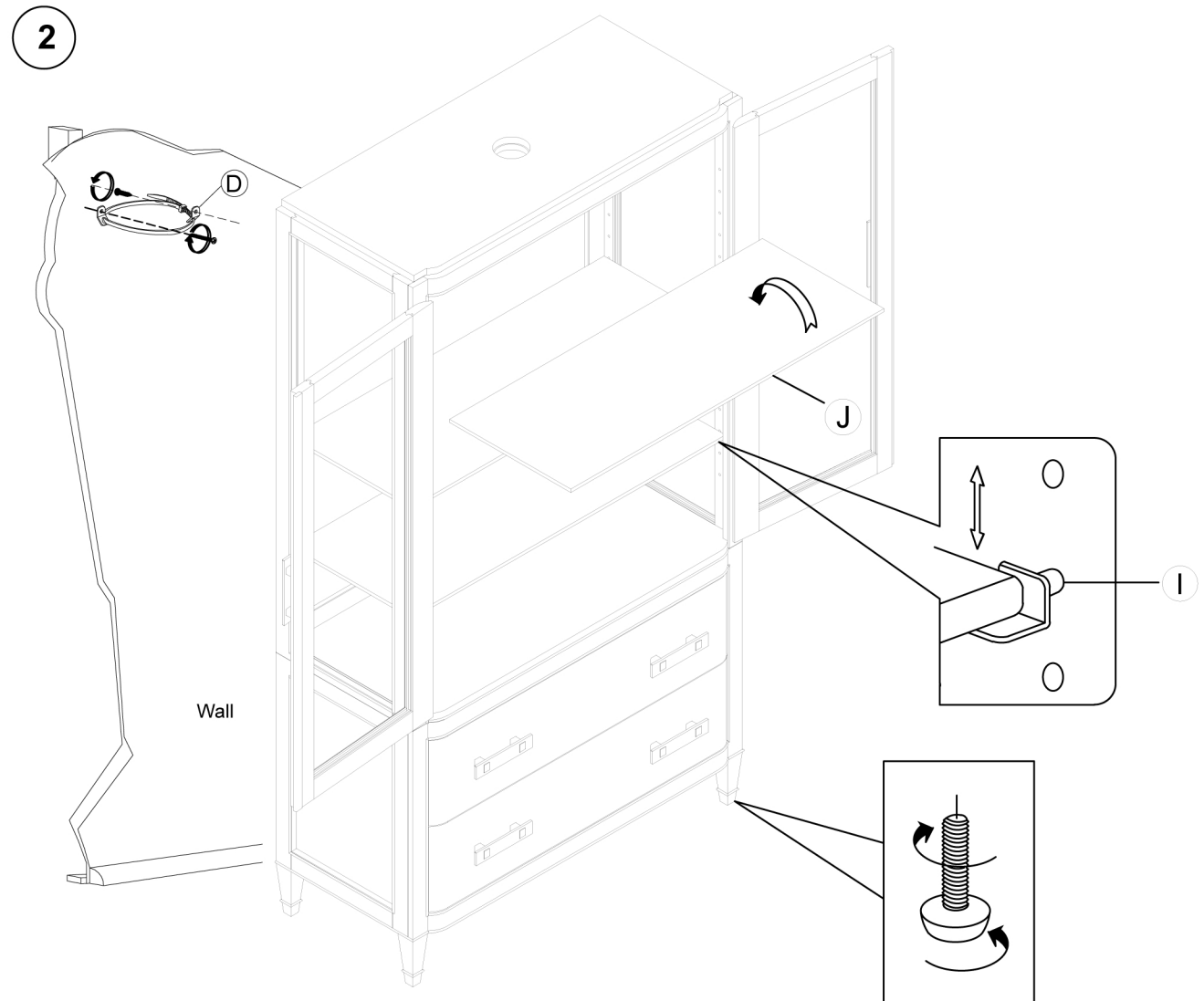
DESCRIPTION / LA DESCRIPCION / DESCRIPCIÓN : China Cabinet Base / Base de Armoire / Base de Gabinete
China Cabinet Hutch / Huche de Armoire / Repisa de Gabinete

⚠ WARNING

Children have died from furniture tipover. To reduce the risk of furniture tipover:

- ALWAYS install tipover restraint provided.
- NEVER put a TV on this product.
- NEVER allow children to stand, climb or hang on drawers, doors, or shelves.
- NEVER open more than one drawer at a time.
- Place heaviest items in the lowest drawers.

This is a permanent label. Do not remove!



* Replaceable Part

REPLACEABLE PART / PARTIE REMPLAÇABLE / PARTE REEMPLAZABLE

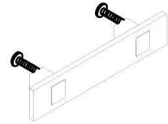
DESCRIPTION / LA DESCRIPCION / DESCRIPCIÓN : China Cabinet Base / Base de Armoire / Base de Gabinete
China Cabinet Hutch / Huche de Armoire / Repisa de Gabinete

⚠ WARNING

Children have died from furniture tipover. To reduce the risk of furniture tipover:

- ALWAYS install tipover restraint provided.
- NEVER put a TV on this product.
- NEVER allow children to stand, climb or hang on drawers, doors, or shelves.
- NEVER open more than one drawer at a time.
- Place heaviest items in the lowest drawers.

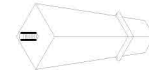
This is a permanent label. Do not remove!



x6 RP344-PULL - Pull with Screw *
Poignée et vis
Tirador y Tornillo



x2 COMGLIDE-14-45 - Common Glide 14in - 45mm *
Glissière
Carril de deslizamiento



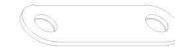
x4 RP344100-LEG - Leg *
Jambes
Piernas



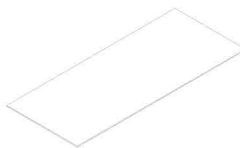
x1 RC-ANTI-TIP - Furniture Tipping Restraint *
Système antibasculement
Control para evitar vulcos



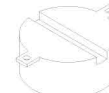
x12 RP344301-SUPP - Shelf Support *
Supports Pour Tablette
Soporte De Las Repisas



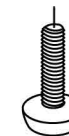
x2 RP344301-PLATE - Metal Plate *
Plaque de métal
Placa de metal



x3 PR344301-GLASS - Glass Shelf *
Étagère en verre
Estante de vidrio



x1 RP344301-LIGHT - Light *
Lampe
Lámpara



x4 RC-FG-WHITE - White leveler *
Patin réglable
Nivelador



x1 RP344301-HWKIT - Hardware Kit *
Liste des pièces de quincaillerie
Lista del kit de materiales

* Replaceable Part

Protect Your Wood or Laminate Flooring

*This statement applies to any floor without carpet.

If not careful, all furniture including upholstery and case pieces can scratch, scuff and even gouge floors. The recommendation is to have felt, rubber pads or area rugs under furniture on flooring without carpet.

Moving your furniture

Pushing and dragging furniture over floors without carpet can lead to scratches and scuffs. Have someone help when moving the larger pieces of furniture by lifting, try using a dolly or moving pads.

Felt and rubber pads

Applying furniture pads to the feet of furniture helps cushion contact points. Furniture pads can be found at local hardware stores. Felt pads slide easily across the floor, making them ideal for dining chairs and other pieces that move with use. Rubber pads will help furniture stay in place and are perfect for larger pieces, like sofas and loveseats.

Area rugs and rug pads

Using an area rug under furniture is another way to protect your floor from scratches and scuff marks. A rug pad under the area rug will provide extra cushion and added protection.