

**WARNING**

Serious or fatal crushing injuries can occur from furniture tip-over. To help prevent tip-over:

- Install tipover restraint provided.
- Place heaviest items in the lowest drawers.
- Do not set TV's or other heavy objects on top of this product, unless the product is specifically designed to accommodate them.
- Never allow children to climb or hang on drawers, doors, or shelves.
- Never open more than one drawer at a time. (CR)
- Do not defeat or remove the drawer interlock system.

Use of tip-over restraints may only reduce, but not eliminate, the risk of tip-over.

This is a permanent label. Do not remove!

**A**

x1 Master Chest \*  
x1 Commode  
x1 Cómoda

**B**

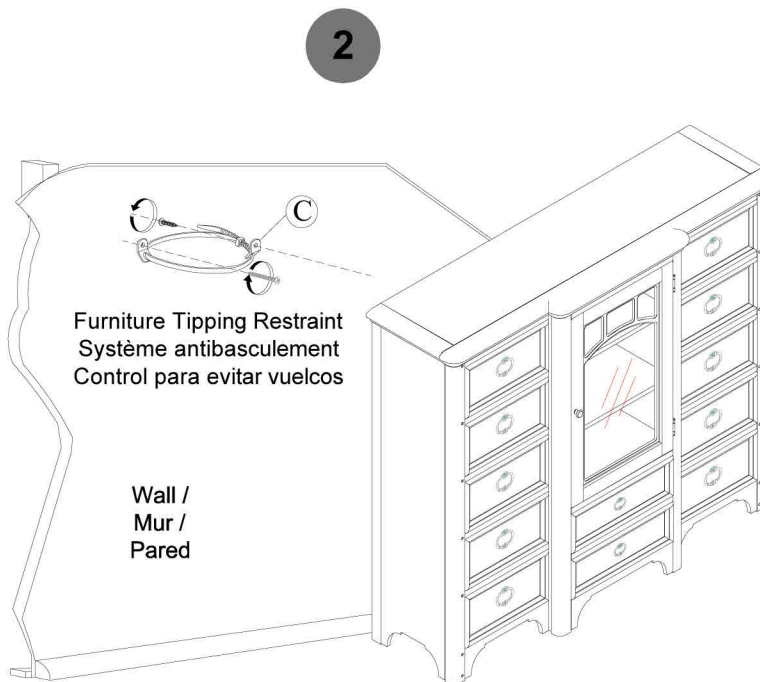
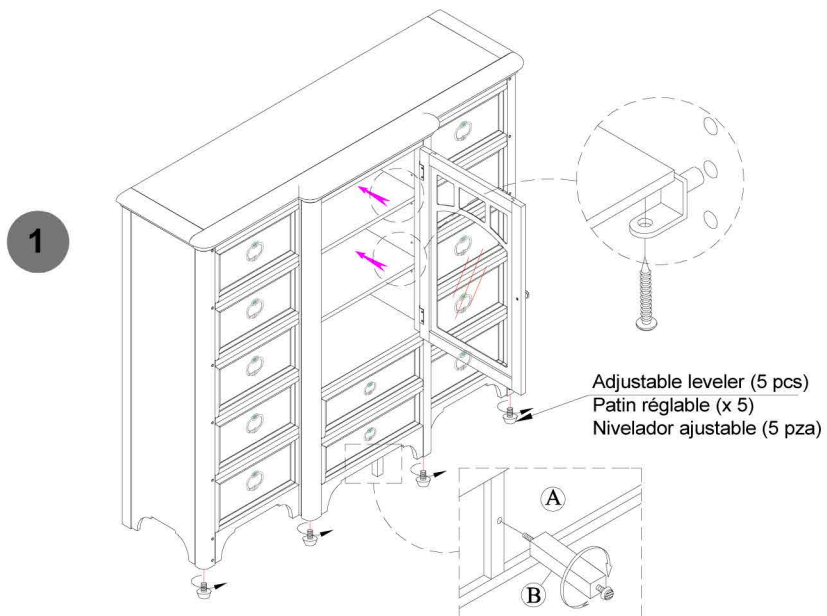
x1 Support Leg \*  
x1 Pied  
x1 Pata de soporte

**C**

x1 Furniture Tipping Restraint \*  
x1 Systeme antibasculment  
x1 Control para evitar vuelcos

\* Replaceable Part

<b>WARNING</b>	
	<p>Serious or fatal crushing injuries can occur from furniture tip-over. To help prevent tip-over:</p> <ul style="list-style-type: none"> <li>• Install tipover restraint provided.</li> <li>• Place heaviest items in the lowest drawers.</li> <li>• Do not set TV's or other heavy objects on top of this product, unless the product is specifically designed to accommodate them.</li> <li>• Never allow children to climb or hang on drawers, doors, or shelves.</li> <li>• Never open more than one drawer at a time. (CR)</li> <li>• Do not defeat or remove the drawer interlock system.</li> </ul> <p>Use of tip-over restraints may only reduce, but not eliminate, the risk of tip-over.</p> <p><i>This is a permanent label. Do not remove!</i></p>



\* Replaceable Part

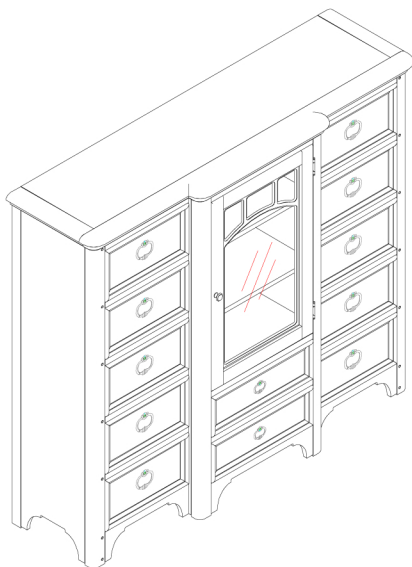
**WARNING**

Serious or fatal crushing injuries can occur from furniture tip-over. To help prevent tip-over:

- Install tipover restraint provided.
- Place heaviest items in the lowest drawers.
- Do not set TVs or other heavy objects on top of this product, unless the product is specifically designed to accommodate them.
- Never allow children to climb or hang on drawers, doors, or shelves.
- Never open more than one drawer at a time. (CR)
- Do not defeat or remove the drawer interlock system.

Use of tip-over restraints may only reduce, but not eliminate, the risk of tip-over.

This is a permanent label. Do not remove!



x10 RP166127-PULL-Large Pull with Screw  
Poignée + vis  
Tirador + Tornillo



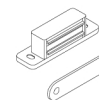
x2 RP166127-PULLS-Small Pull with Screw \*  
Poignée + vis  
Tirador + Tornillo



x1 RP166127-KNOB-Knob with Screw \*  
Poignée + vis  
Tirador + Tornillo



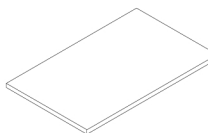
x2 RP166127-HINGE-Door Hinge \*  
Poignée + vis  
Tirador + Tornillo



x2 RP166127-CATCH-Door Catch \*  
Catch de aimant  
Captura de iman



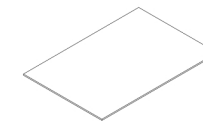
x12 - COMGLIDE-12-35-Drawer Glide \*  
Glissière  
Carril de deslizamiento



x2 RP166127-SHELF-Wood Shelf \*  
Étagère  
Repisa/ Estante



x8 RP166127-CLIP-Wood Shelf Clip \*  
Supports Pour  
Tablette Soporte De Las Repisas



x2 RP166127-FELTS -Side Removable Felt \*  
Feutre  
Filtro



x1 RP166127-CELEG-Center Support Leg \*  
Support central  
Soporte para la pata central

\* Replaceable Part