

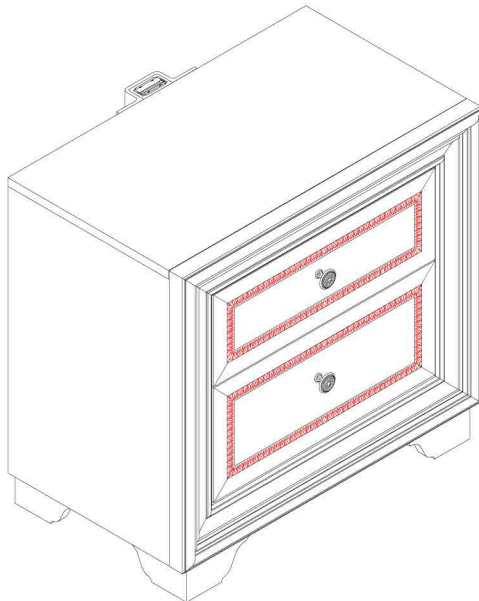
⚠ WARNING



Children have died from furniture tipover. To reduce the risk of furniture tipover:

- . **NEVER** put a TV on this product.
- . **NEVER** allow children to stand, climb or hang on drawers, doors, or shelves.
- . **NEVER** open more than one drawer at a time.
- . Place heaviest items in the lowest drawers.

This is a permanent label.
Do not remove!



A

x1 Furniture Tipping Restraint *
x1 Systeme antibasculement
x1 Control para evitar vulcos

* *Replaceable Part*

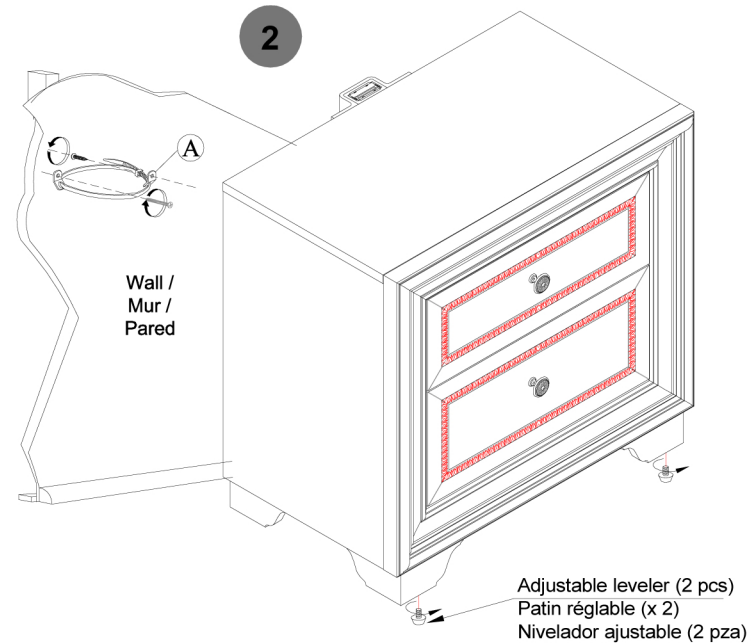
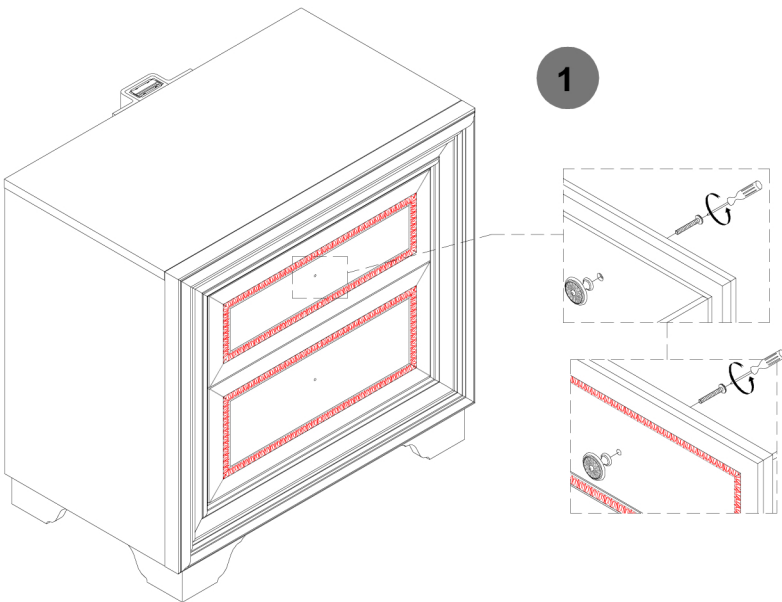
⚠ WARNING



Children have died from furniture tipover. To reduce the risk of furniture tipover:

- **NEVER** put a TV on this product.
- **NEVER** allow children to stand, climb or hang on drawers, doors, or shelves.
- **NEVER** open more than one drawer at a time.
- Place heaviest items in the lowest drawers.

This is a permanent label.
Do not remove!



* Replaceable Part

WARNING



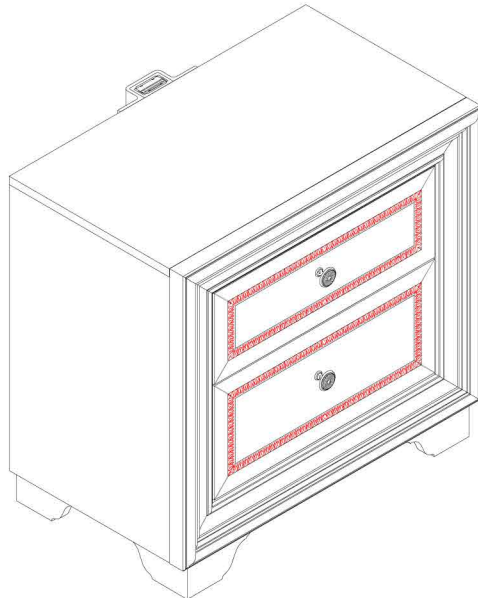
Children have died from furniture tipover. To reduce the risk of furniture tipover:

- . **NEVER** put a TV on this product.
- . **NEVER** allow children to stand, climb or hang on drawers, doors, or shelves.
- . **NEVER** open more than one drawer at a time.



- . Place heaviest items in the lowest drawers.

This is a permanent label.
Do not remove!



x2 RP269-KNOB-Knob with Screw *
Poignée + vis
Tirador + Tornillo



x2 COMGLIDE-10-45-Common Glide 10in-45mm *
Tiroir Glide
Deslizamiento del cajón



x1 RP269140-USB-Usb Port *
Cordon d'alimentation
Cordón eléctrico



x2 RC-FG-WHITE-White Leveler *
Patin réglable
Nivelador



x2 RC-WH-NAIL - White Plastic Nail - Clavo *

* Replaceable Part