

SAFETY INFORMATION

Please read and understand this entire manual before attempting to assemble, install or operate the product.

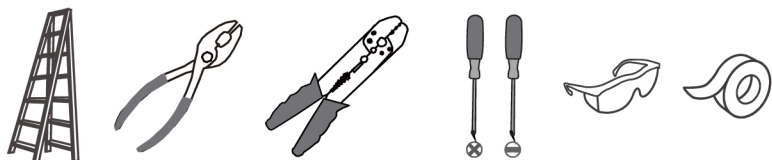
WARNING

- RISK OF ELECTRIC SHOCK - Before beginning installation, turn off electricity at the circuit breaker box or the main fuse box.
- RISK OF FIRE - Use bulbs specified by the markings and/or labels on the fixture.

CAUTION

- For your safety, read instructions completely before beginning installation.
- If in doubt about electrical installation, consult a licensed electrician.
- Turn off electricity to fixture before replacing the bulb(s).

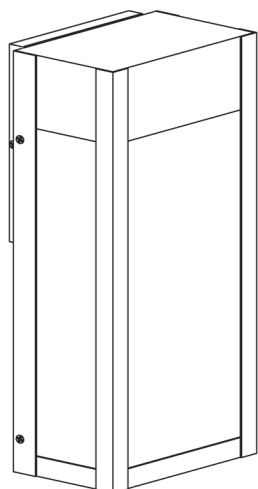
TOOLS REQUIRED



CARE AND MAINTENANCE

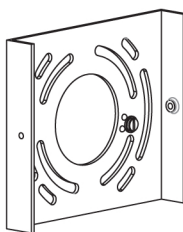
- Wipe clean using soft, dry cloth or static duster. Always avoid using harsh chemicals and abrasives to clean fixture as they may damage the finish.

PACKAGE CONTENTS



A Fixture Body
x 1

MOUNTING HARDWARE



AA Inner Backplate
x 1



BB Mounting Screw
x 2



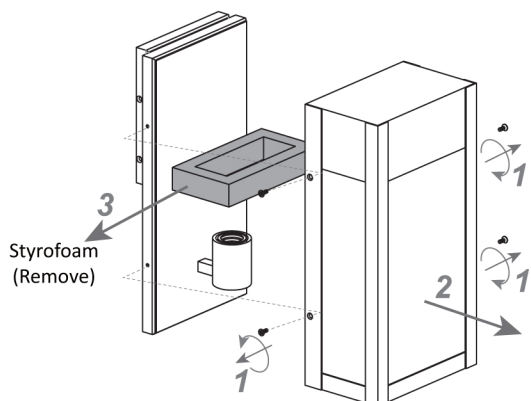
CC Wire Connector
x 3



DD Outlet Box Screw
x 2

INSTALLATION

1 Remove Styrofoam Inside of Cage



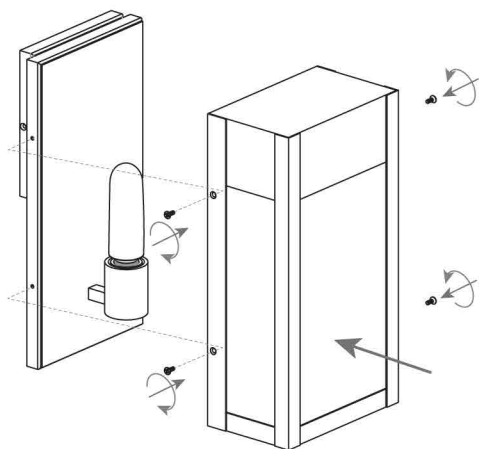
2 Install Bulb

Install the correct bulb referring to fixture markings and/or labels for maximum wattage.

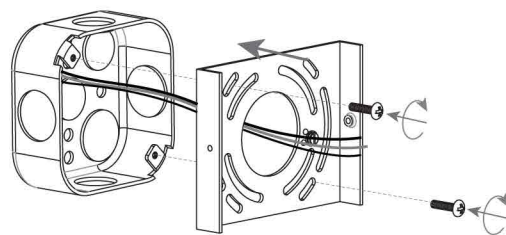
Recommended Bulb type (not included):



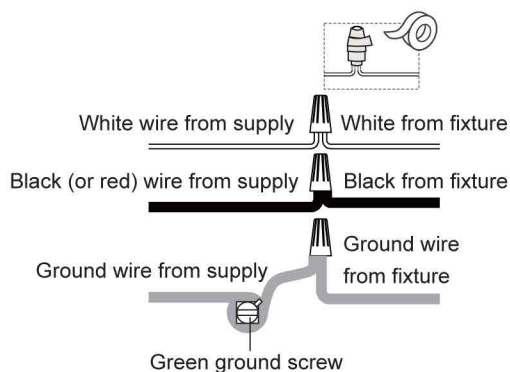
3 Install Cage



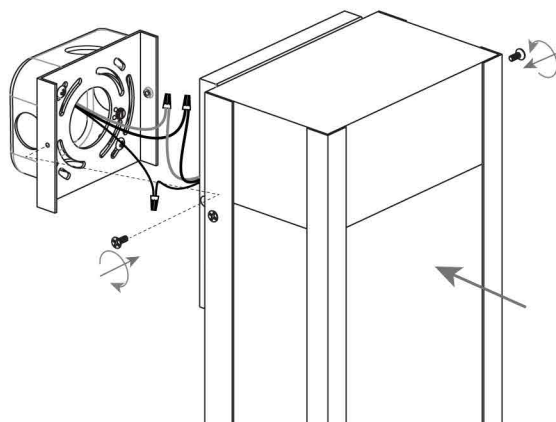
4 Install Inner Backplate



5 Wiring

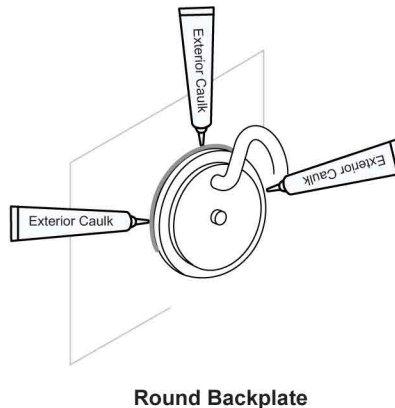
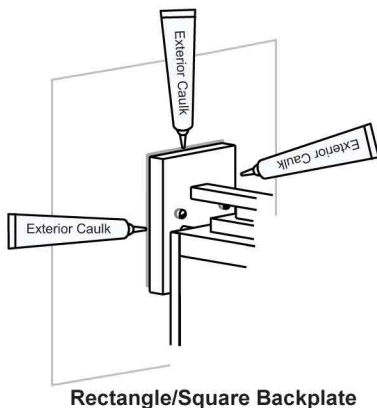


6 Install Fixture Body



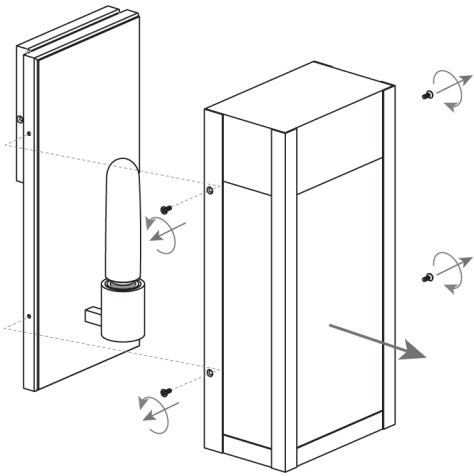
7 Apply Caulking (Backplate shape is varies depends on items purchased)

***Note:** Do NOT caulk the bottom of the backplate to allow moisture to escape.

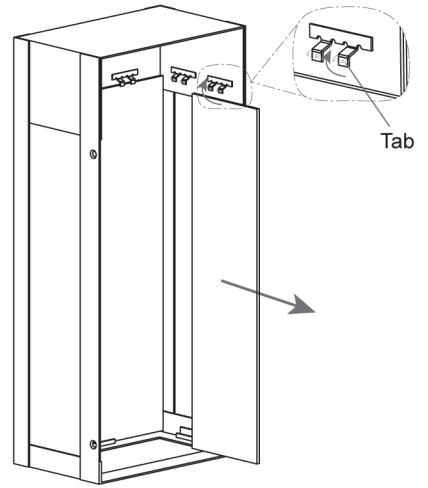


Your installation is now complete! Restore electricity and save this sheet for future reference.

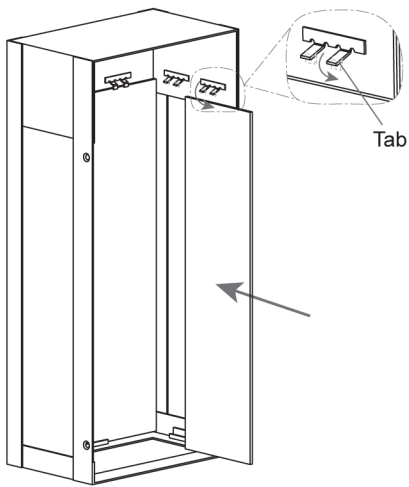
1 Remove Cage



2 Remove Glass Panel



3 Install New Glass Panel



4 Install Cage

