

## SAFETY INFORMATION

Please read and understand this entire manual before attempting to assemble, install or operate the product.

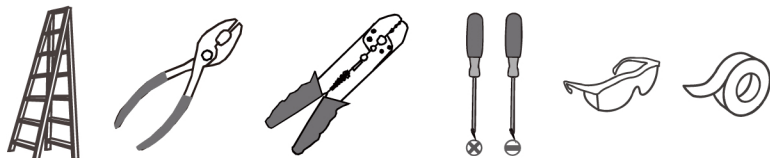
### WARNING

- RISK OF ELECTRIC SHOCK - Before beginning installation, turn off electricity at the circuit breaker box or the main fuse box.
- RISK OF FIRE - Use bulbs specified by the markings and/or labels on the fixture.

### CAUTION

- For your safety, read instructions completely before beginning installation.
- If in doubt about electrical installation, consult a licensed electrician.
- Turn off electricity to fixture before replacing the bulb(s).

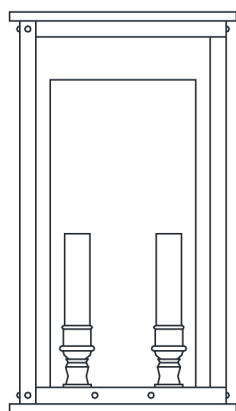
### TOOLS REQUIRED



## CARE AND MAINTENANCE

- Wipe clean using soft, dry cloth or static duster. Always avoid using harsh chemicals and abrasives to clean fixture as they may damage the finish.

## PACKAGE CONTENTS



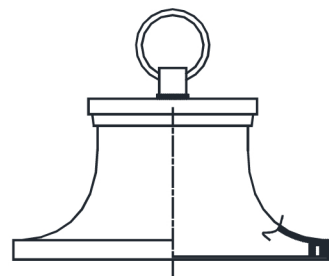
**A** Fixture Body  
x 1



**B** Side Glass Panel  
x 2



**C** Front Glass Panel  
x 1

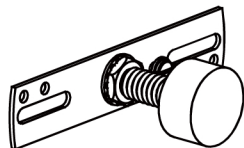


**D** Fixture Hood  
x 1

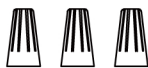


**E** Lock Screw  
(Pre-assembled to  
Fixture Hood)  
x 2

## MOUNTING HARDWARE



**AA** Crossbar Assembly  
x 1



**BB** Wire Connector  
x 3

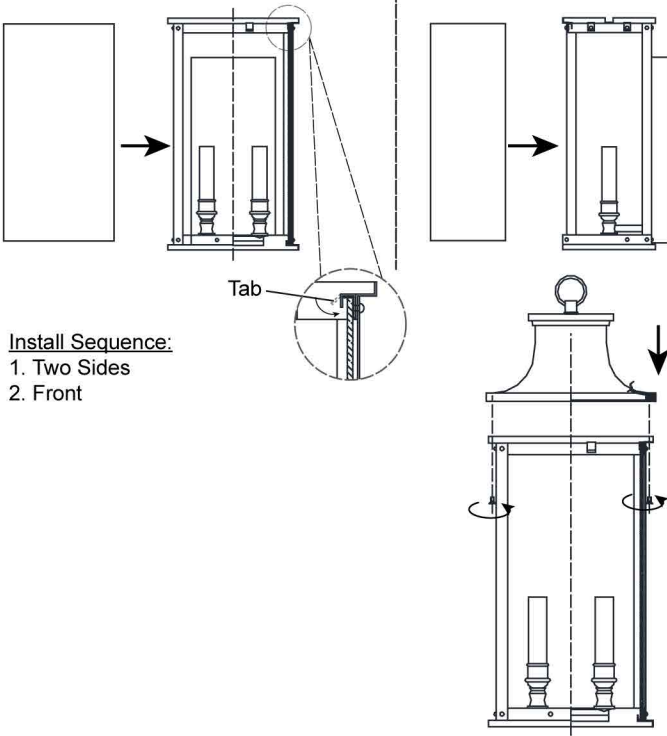


**CC** Outlet Box Screw  
x 2

## 1 Install Glass Panel & Fixture Hood

Front View

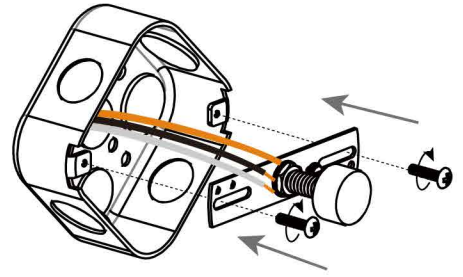
Side View



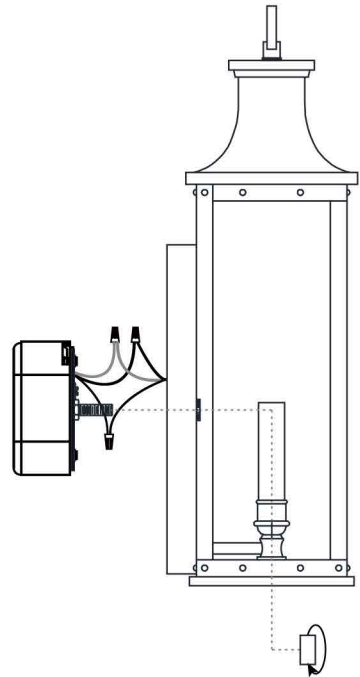
Install Sequence:

1. Two Sides
2. Front

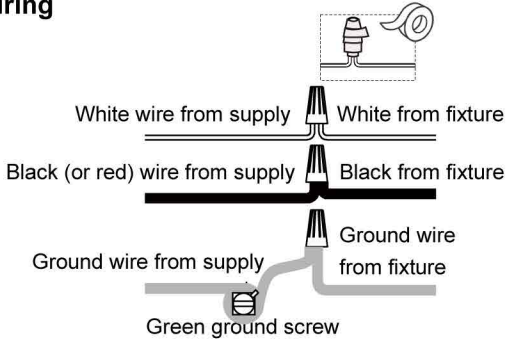
## 2 Install Crossbar Assembly



## 4 Install Fixture Body

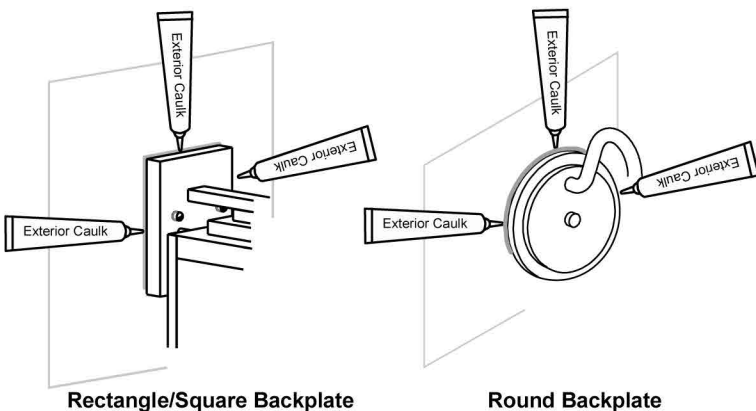


## 3 Wiring



## 5 Apply Caulking (Backplate shape is varies depends on items purchased)

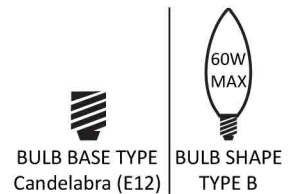
**\*Note:** Do NOT caulk the bottom of the backplate to allow moisture to escape.



## 6 Install Bulbs

Install two correct bulbs referring to fixture markings and/or labels for maximum wattage.

**Recommended Bulb type (not included):**



Your installation is now complete! Restore electricity and save this sheet for future reference.