

## SAFETY INFORMATION

Please read and understand this entire manual before attempting to assemble, install or operate the product.

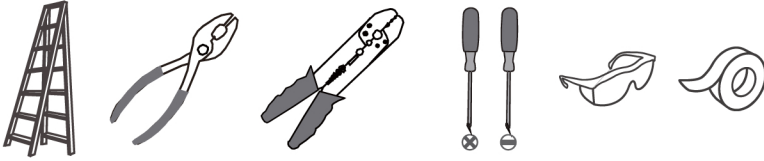
### WARNING

- RISK OF ELECTRIC SHOCK - Before beginning installation, turn off electricity at the circuit breaker box or the main fuse box.

### CAUTION

- For your safety, read instructions completely before beginning installation.
- If in doubt about electrical installation, consult a licensed electrician.

### TOOLS REQUIRED

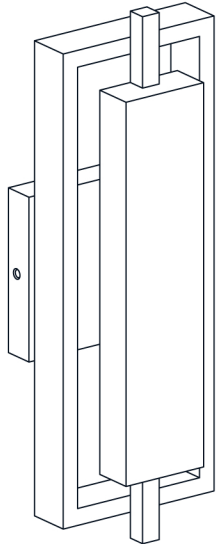


Ratings	120Vac, 60Hz	
	Model No.	Wattage
	PNT8306MBK	12W
	PNT8406MBK	12W

## CARE AND MAINTENANCE

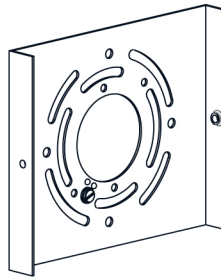
- Wipe clean using soft, dry cloth or static duster. Always avoid using harsh chemicals and abrasives to clean fixture as they may damage the finish.

## PACKAGE CONTENTS



**A** Fixture Body  
x 1

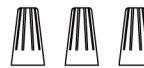
## MOUNTING HARDWARE



**AA** Inner Backplate  
x 1



**BB** Mounting Screw  
x 2

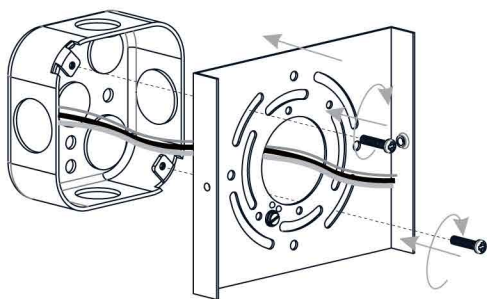


**CC** Wire Connector  
x 3

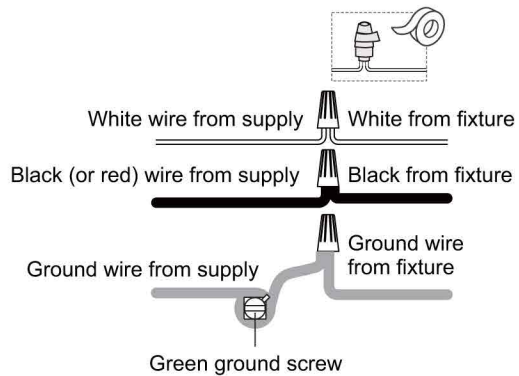


**DD** Outlet Box Screw  
x 2

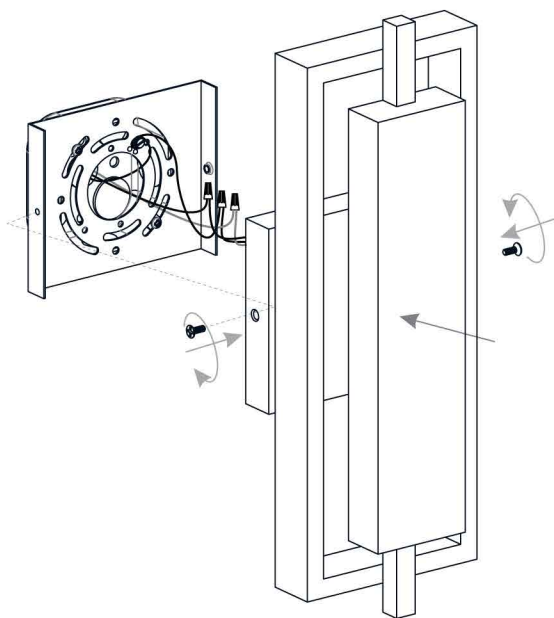
**1 Install Inner Backplate**



**2 Wiring**

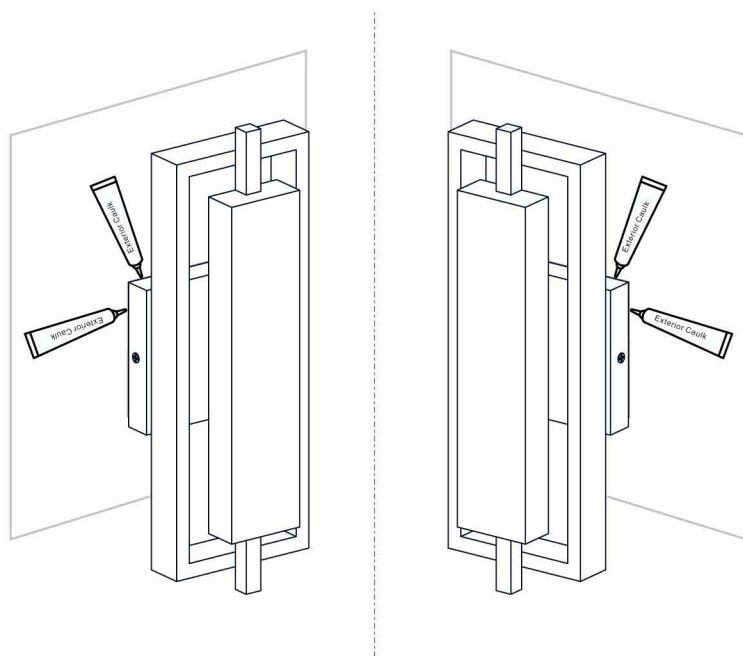


**3 Install Fixture Body**



**4 Apply Caulking**

\* Note: Do NOT caulk the bottom of the backplate to allow moisture to escape.



**Your installation is now complete! Restore electricity and save this sheet for future reference.**