

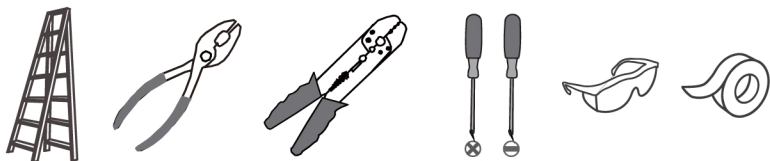
SAFETY INFORMATION

Please read and understand this entire manual before attempting to assemble, install or operate the product.

- WARNING**
- RISK OF ELECTRIC SHOCK - Before beginning installation, turn off electricity at the circuit breaker box or the main fuse box.
 - RISK OF FIRE - Use bulbs specified by the markings and/or labels on the fixture.

- CAUTION**
- For your safety, read instructions completely before beginning installation.
 - If in doubt about electrical installation, consult a licensed electrician.
 - Turn off electricity to fixture before replacing the bulb(s).

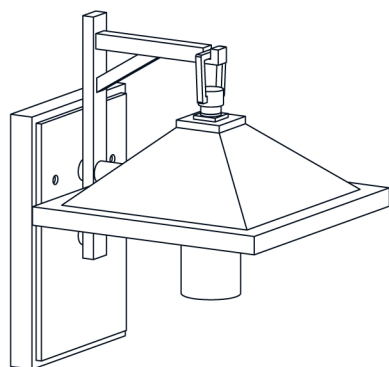
TOOLS REQUIRED



CARE AND MAINTENANCE

- Wipe clean using soft, dry cloth or static duster. Always avoid using harsh chemicals and abrasives to clean fixture as they may damage the finish.

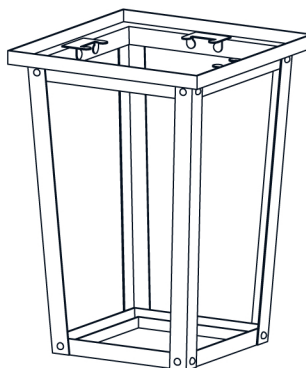
PACKAGE CONTENTS



A Fixture Body
x 1



B Glass Panel
x 4

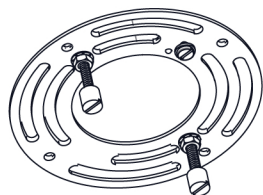


C Cage
x 1



D Lock Screw
[preassembled
on Cage]
x 2

MOUNTING HARDWARE



AA Crossbar Assembly
x 1



BB Alternate
Mounting Screw
x 2

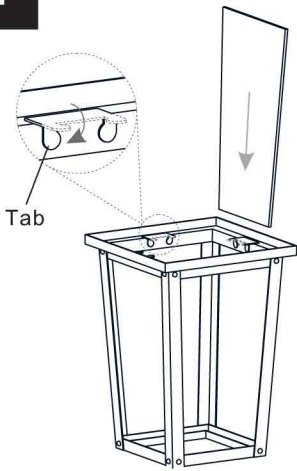


CC Wire Connector
x 3

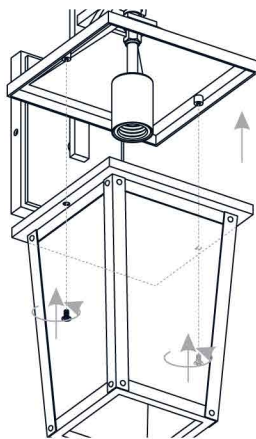


DD Outlet Box Screw
x 2

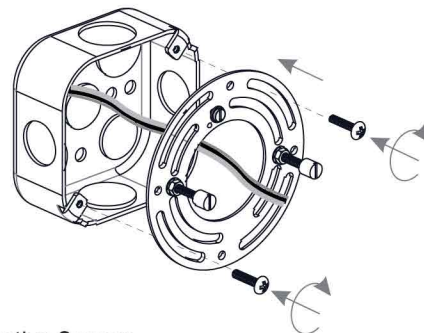
1 Install Glass Panels



2 Install Cage with Glass Panel



3 Install Crossbar Assembly

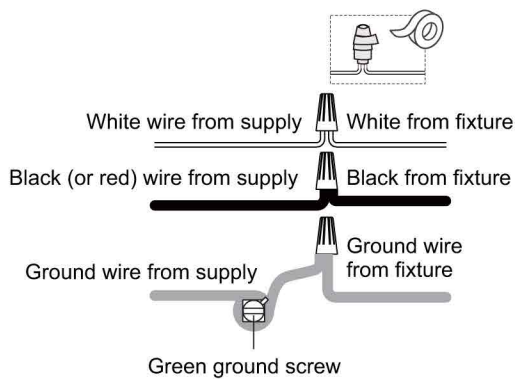


(2) Alternative Screws

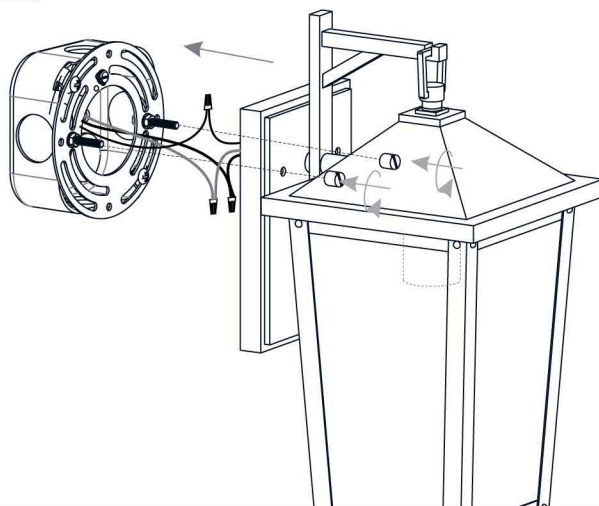


* Alternative screws are provided to replace pre-assembled mounting screws if necessary.

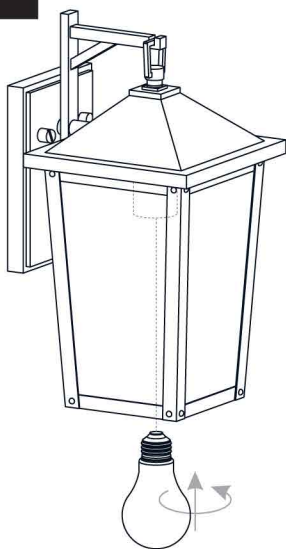
4 Wiring



5 Install Fixture Body



6 Install Bulb



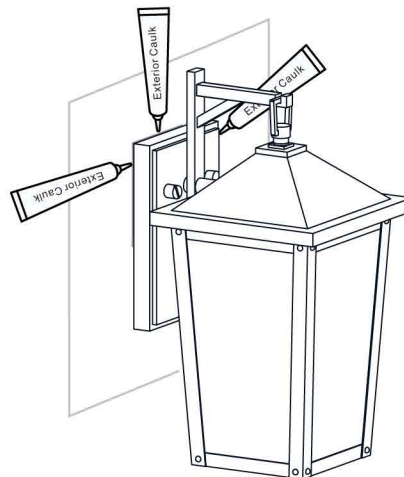
Install the correct bulb referring to fixture markings and/or labels for maximum wattage.

Recommended Bulb Type (not included):



7 Apply Caulking

* Note: Do NOT caulk the bottom of the backplate to allow moisture to escape.



Your installation is now complete! Restore electricity and save this sheet for future reference.