

## SAFETY INFORMATION

Please read and understand this entire manual before attempting to assemble, install or operate the product.

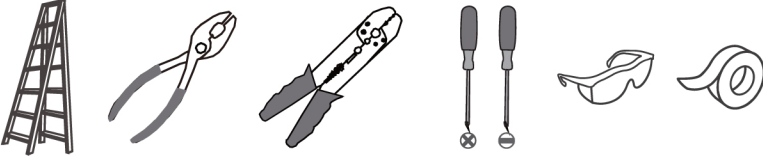
### WARNING

- RISK OF ELECTRIC SHOCK - Before beginning installation, turn off electricity at the circuit breaker box or the main fuse box.
- RISK OF FIRE - Use bulbs specified by the markings and/or labels on the fixture.

### CAUTION

- For your safety, read instructions completely before beginning installation.
- If in doubt about electrical installation, consult a licensed electrician.
- Turn off electricity to fixture before replacing the bulb(s).

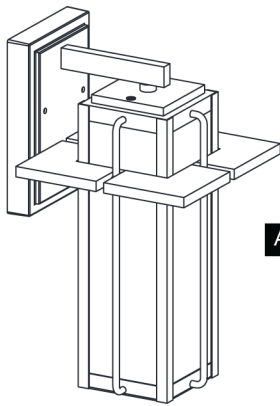
### TOOLS REQUIRED



## CARE AND MAINTENANCE

- Wipe clean using soft, dry cloth or static duster. Always avoid using harsh chemicals and abrasives to clean fixture as they may damage the finish.

## PACKAGE CONTENTS



**A** Fixture Body  
x 1

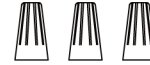
## MOUNTING HARDWARE



**AA** Crossbar Assembly  
x 1



**BB** Alternative  
Mounting Screw  
x 2



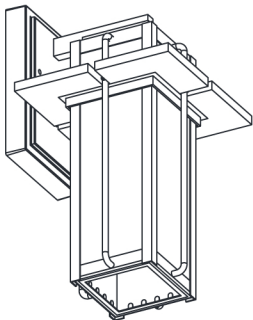
**CC** Wire Connector  
x 3



**DD** Outlet Box Screw  
x 2

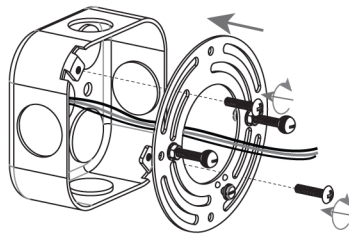
## INSTALLATION

### 1 Remove Styrofoam Inside of Cage

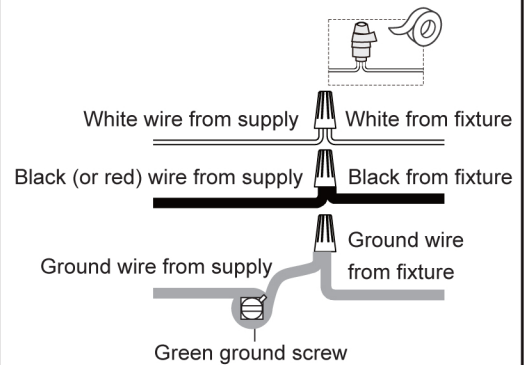


Styrofoam

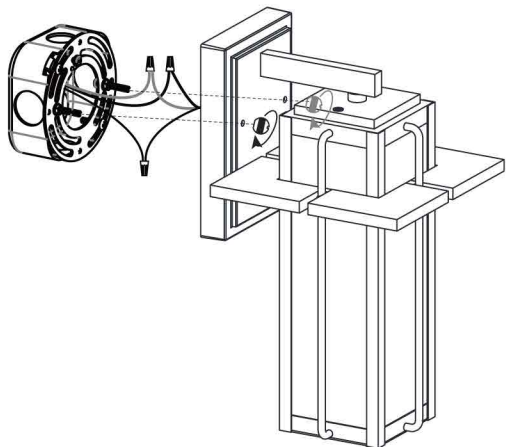
### 2 Install Crossbar Assembly



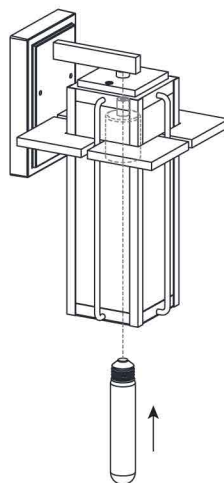
### 3 Wiring



**4 Install Fixture Body**

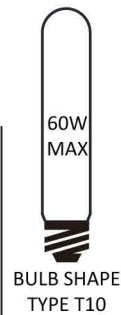


**5 Install Bulb**



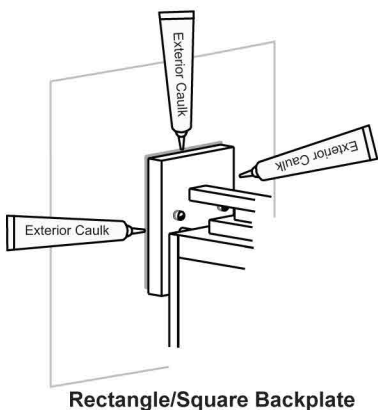
Install one correct bulb referring to fixture markings and/or labels for maximum wattage.

**Recommended Bulb type (not included):**

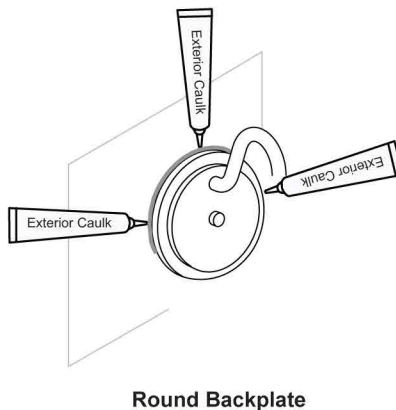


**6 Apply Caulking** (Backplate shape is varies depends on items purchased)

**\*Note:** Do NOT caulk the bottom of the backplate to allow moisture to escape.



Rectangle/Square Backplate

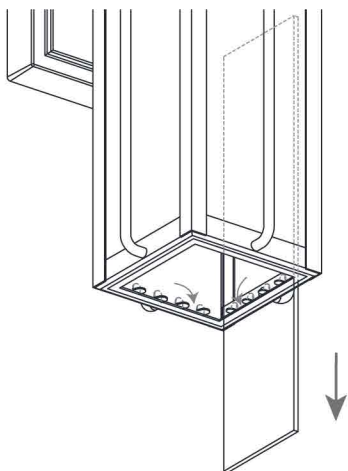


Round Backplate

Your installation is now complete! Restore electricity and save this sheet for future reference.

**HOW TO REPLACE GLASS PANEL**

**1 Remove Glass Panel**



Reverse above steps to reinstall the replacement Glass Panels onto fixture.