

! SAFETY INFORMATION

Please read and understand this entire manual before attempting to assemble, install or operate the product.

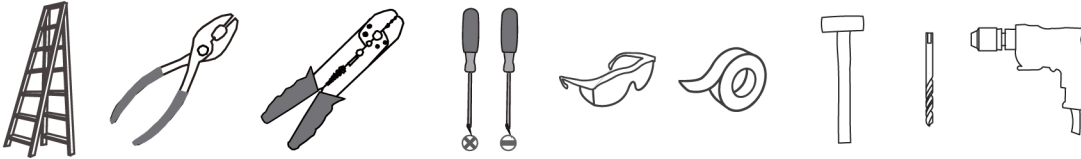
WARNING

- RISK OF ELECTRIC SHOCK - Before beginning installation, turn off electricity at the circuit breaker box or the main fuse box.

CAUTION

- For your safety, read instructions completely before beginning installation.
- If in doubt about electrical installation, consult a licensed electrician.

TOOLS REQUIRED

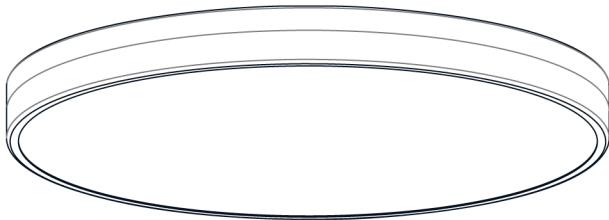


Ratings	120Vac, 60Hz	
	Model No.	Wattage
	WLN1620MBKW	35W
	WLN1620MBKG	35W

CARE AND MAINTENANCE

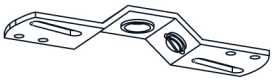
- Wipe clean using soft, dry cloth or static duster. Always avoid using harsh chemicals and abrasives to clean fixture as they may damage the finish.

PACKAGE CONTENTS

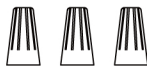


A Fixture Body
x 1

MOUNTING HARDWARE



AA Crossbar
x 1



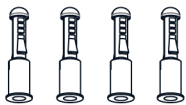
BB Wire Connector
x 3



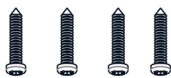
CC Outlet Box Screw
x 2



DD Mounting Screw
x 2

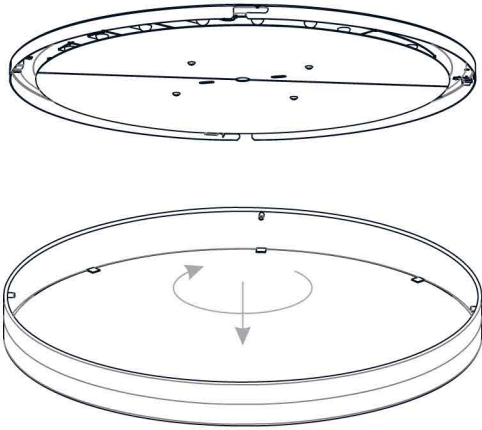


EE Wall Anchor
x 4



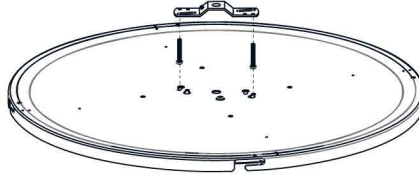
FF Screw
x 4

1 Remove Shade From Fixture Body

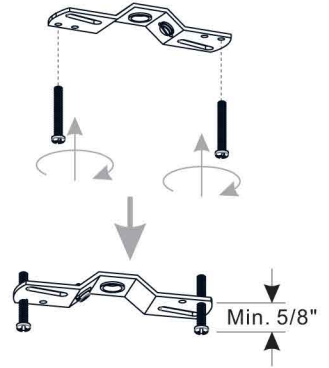


2 Install Mounting Screws to Crossbar

Determine mounting holes for mounting screws

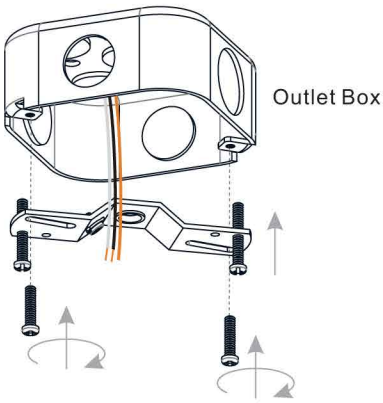


Install mounting screws

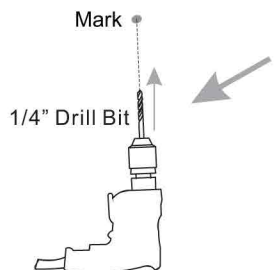
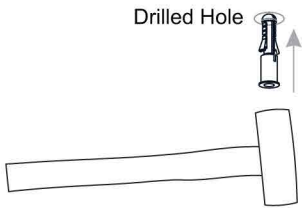
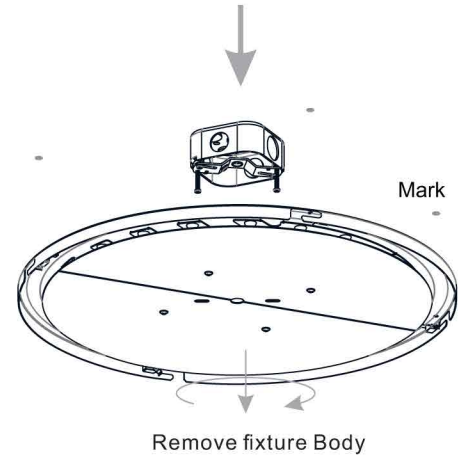
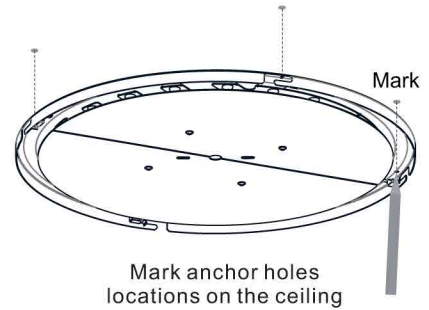
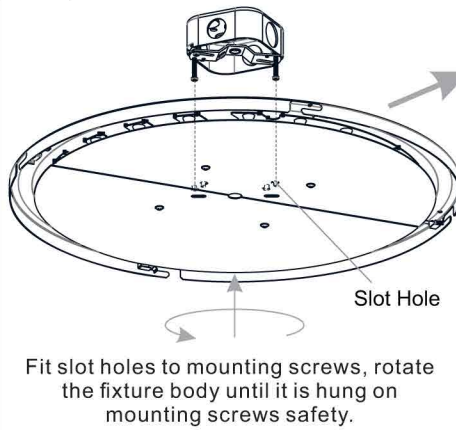


*** DO NOT** screw mounting screws all in the crossbar. Leave a minimum length of 5/8" for next installations.

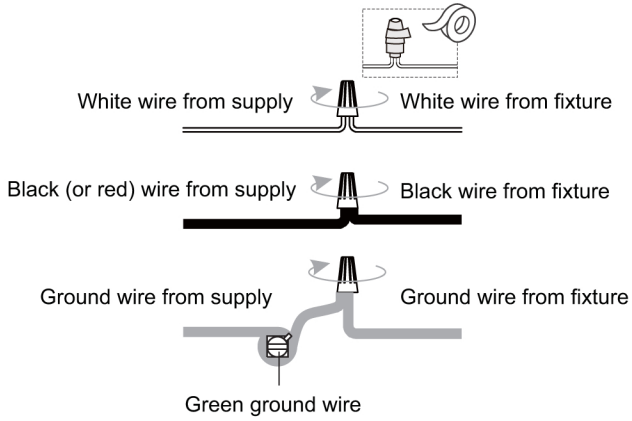
3 Install Crossbar



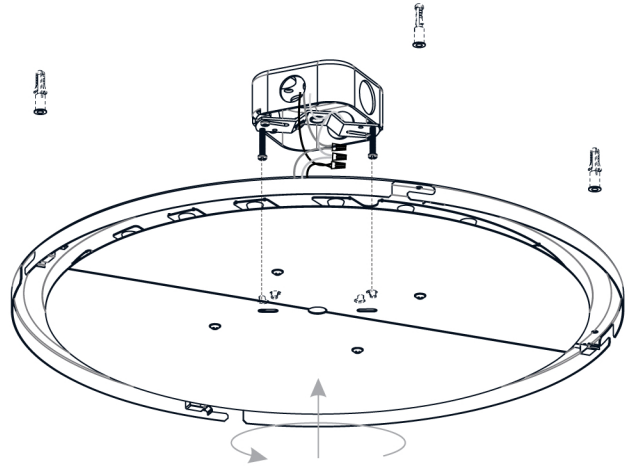
4 Install Wall Anchors



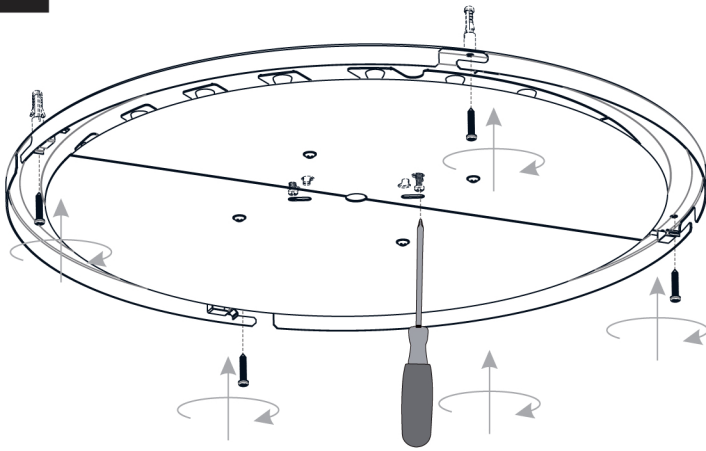
5 Wiring



6 Hang Fixture Body to Mounting Screws

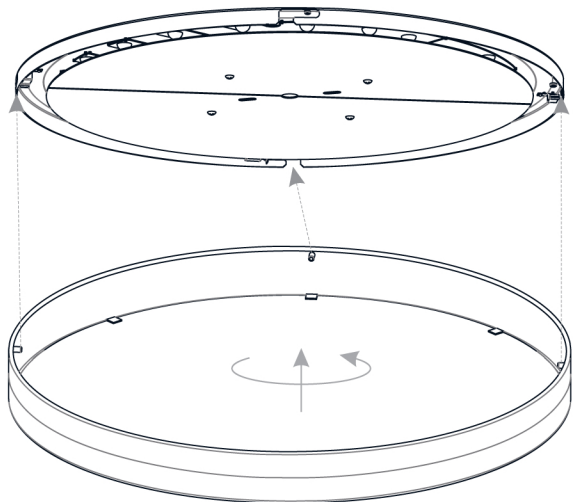


7 Install Screws



Tighten all screws (include mounting screws).

8 Install Shade Back to Fixture Body



Your installation is now complete! Restore electricity and save this sheet for future reference.