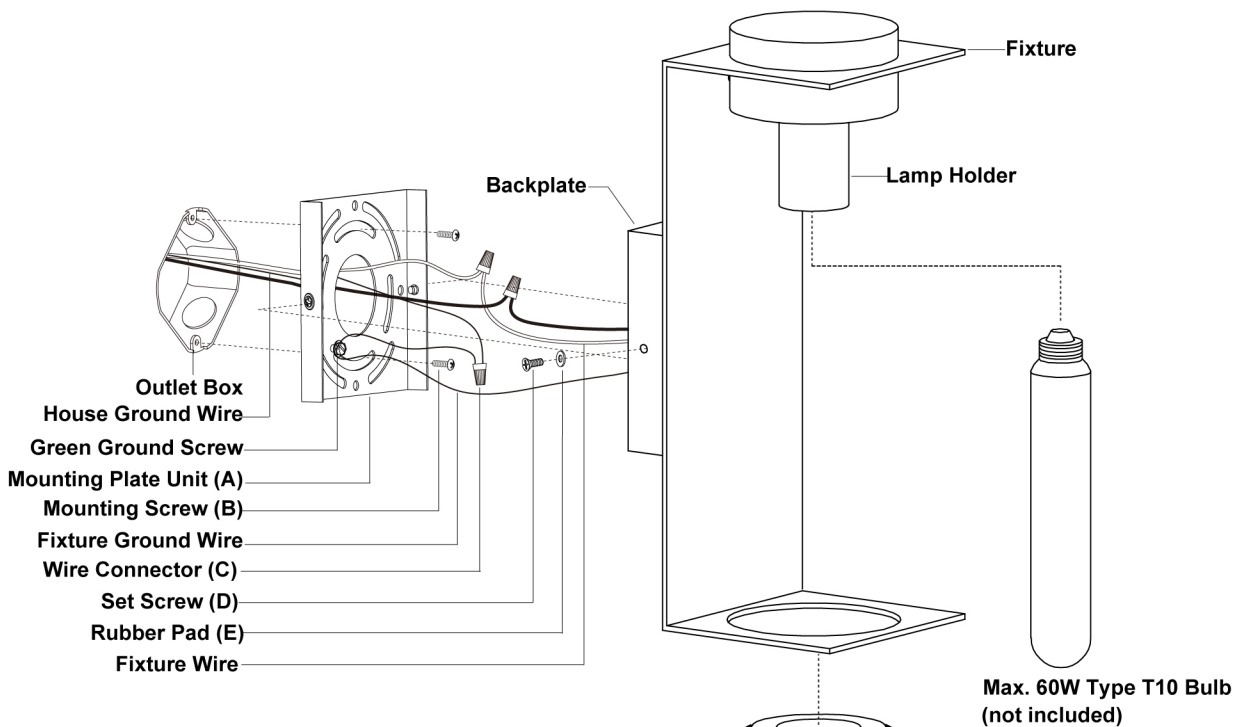
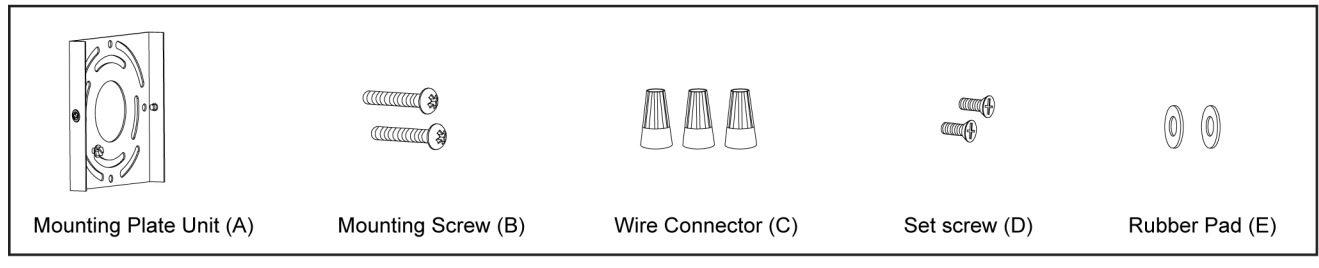


ASSEMBLY AND INSTALLATION INSTRUCTIONS

WARNING: Turn off the main power at circuit breaker before installing fixture.
AVERTISSEMENT: Coupez la source d'alimentation principale au panneau central de disjoncteurs avant d'installer le luminaire.

NOTE: 1. Before installing, consult local electrical codes for wiring and grounding requirements.
2. Read and save these instructions.

Hardware Package (included):



Installation Steps

Turn off the power at fuse or circuit box

1. Unscrew the two set screws (D), remove the two rubber pads (E) and the mounting plate unit (A) from the backplate.
2. Attach the mounting plate unit (A) to the outlet box by using two mounting screws (B).

Note: Make sure that two set screw holes are lined up horizontally to make the fixture level.

3. Pull out the source wires from the outlet box. Make wire connections using wire connectors (C) as follows:
 - Connect the hot wire (black insulation) from the fixture to the black wire from the power source.
 - Connect the neutral wire (white insulation) from the fixture to the white wire from the power source.
 - Attach the fixture ground wire (bare wire) to the mounting plate unit (A) with green ground screw. Then, depending on local code, connect it to the house ground wire with the wire connector (C). Carefully put all of the wires back into the outlet box.
4. Install the bulb (not included). See relamping label at socket area or packaging for maximum wattage allowed.
5. Attach the glass shade to the fixture from the fixture bottom hole, then rotate it carefully until it is locked in place.
6. Attach the backplate of the fixture to the mounting plate unit (A) and then secure it with two rubber pads (E) and the two set screws (D).

Note: With silicone caulk compound, caulk completely around where the backplate meets with the wall surface to prevent water from seeping into the outlet box.

Turn on the power at fuse or circuit box

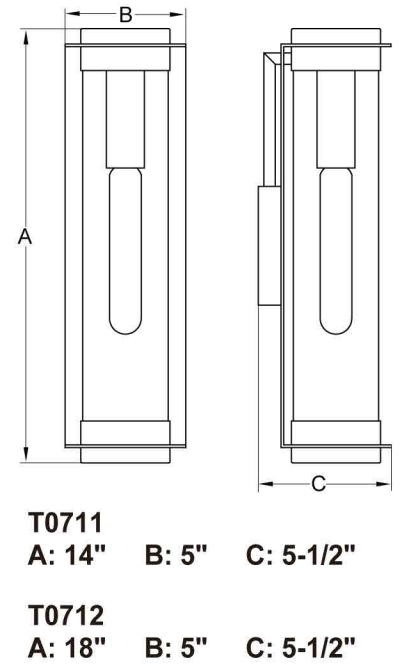
The following parts are available for re-order if damaged or missing.

Spare Parts List:

Mounting Plate Unit (A) Mounting Screw (B) Wire Connector (C) Set screw (D) Rubber Pad (E)

↓ Mounting Hardware 6633MM (1SET)

Glass Shade 10344CG for T0711 Glass Shade 10345CG for T0712



1 Year Warranty

Exclusions: This warranty does not include the failure of products from extreme acts of nature; environmental conditions not suited for the products intended use; operation in temperatures outside of the range specified in the instruction manual; usage with improper power supply, power surges or dips. For coastal locations, some corrosion is considered normal for the environment.