

ASSEMBLY AND INSTALLATION INSTRUCTIONS

WARNING: TO AVOID RISK OF ELECTRICAL SHOCK, BE SURE TO SHUT OFF POWER BEFORE INSTALLING OR SERVICING THIS FIXTURE.

NOTES: 1. Before installing, consult local electrical codes for wiring and grounding requirements.
2. READ AND SAVE THESE INSTRUCTIONS.

Hardware Package (included):



Cross Bar (A)



Mounting Screw (B)



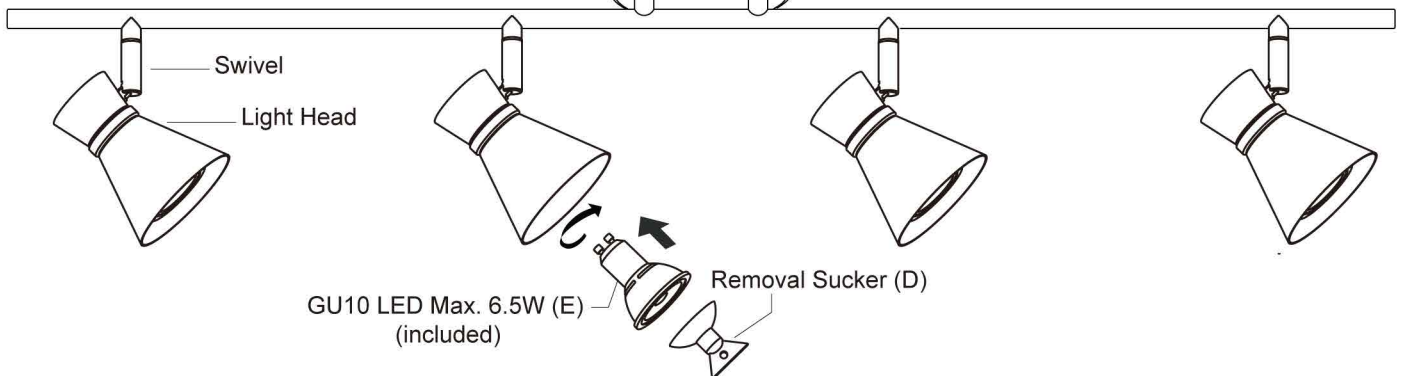
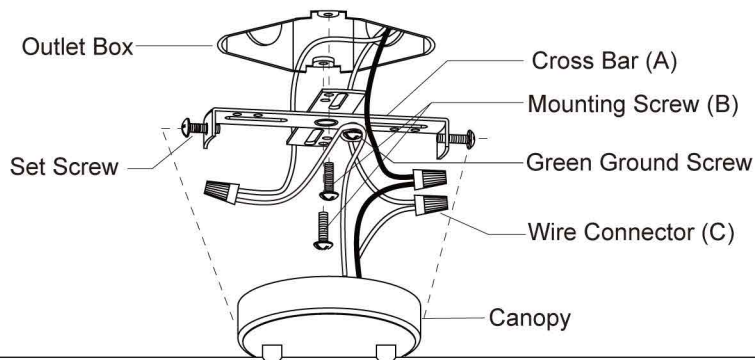
Wire Connector (C)



Removal Sucker (D)



GU10 LED Bulb
Max. 6.5W X 4 (E)



Installation Steps

Turn off the power at fuse or circuit box

1. Attach the cross bar (A) to the outlet box by using two mounting screws (B).
2. Pull out the outlet wires and the house grounding wire from the outlet box. Make wire connections by using the wire connectors (C) as follows:
 - Connect the black (hot) wire from the fixture to the black (hot) wire from the power source.
 - Connect the white (neutral) wire from the fixture to the white (neutral) wire from the power source.
 - Attach the fixture ground wire to the cross bar (A) with the green ground screw, then connect it to the house ground wire with a wire connector (C).Carefully put the wires back into the outlet box.

3. Attach the canopy to the cross bar (A) by aligning holes, secure the set screws from the side hole of the canopy into the hole in the side of the cross bar (A), then tighten the set screws.
 4. Attach the removal sucker (D) to the top surface of the bulb lens. Insert the bulb (E) into the socket using the removal sucker (D). Twist bulb to lock pins in place. Remove the removal sucker (D) from the bulb lens by pulling the knob of the removal sucker (D).
- Caution: LED Bulb, Type MR GU10 base, maximum 25W X 4
Halogen Bulb, Type MR GU10 base, maximum 50W X 4**
- Notes: LED Dimmable bulb to be compatible with most LED Dimmers, recommended Lutron:
MSCL-OP153MH, MACL-153MH, DVWCL-153PH, TGCL-153PH, SCL-153PH.**
5. Follow step 4 of instructions of single light head installation for other three light heads.
 6. Adjust the light head to a desired position by using the swivel.

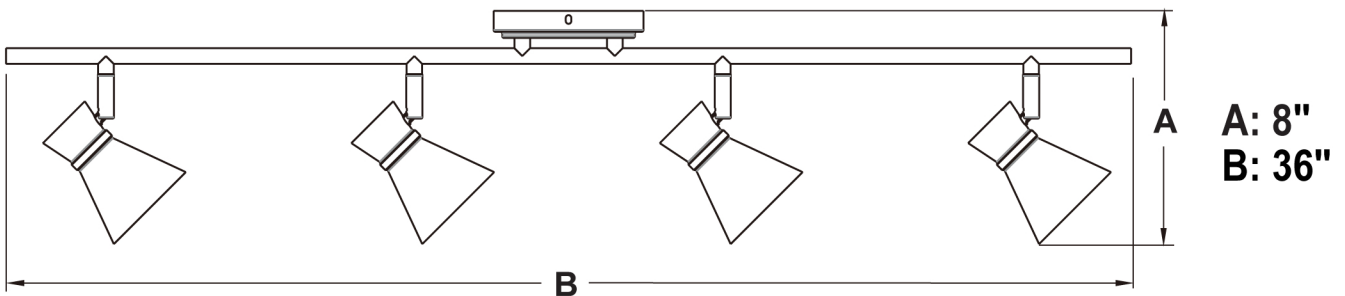
Turn on the power at fuse or circuit box

The following parts are available for re-order if damaged or missing.

Spare Parts List:

Cross Bar (A)	Mounting Screw (B)	Wire Connector (C)	Removal Sucker (D) 6070CP	GU10 LED Bulb Max. 6.5W (E) 8104 LED

Assembly Kit 6623MM (1SET)



1 Year Warranty