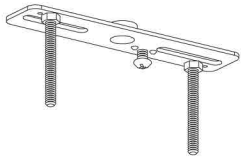


ASSEMBLY AND INSTALLATION INSTRUCTIONS

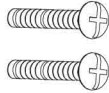
WARNING: TO AVOID RISK OF ELECTRICAL SHOCK, BE SURE TO SHUT OFF POWER WHILE INSTALLING OR SERVICING THIS FIXTURE.

NOTES: 1. Before installing, consult local electrical codes for wiring and grounding requirements.
2. Read and save these instructions.

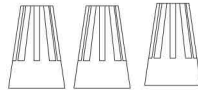
Hardware Package (included):



Mounting Strap Unit (A)



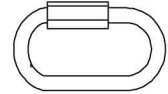
Mounting Screw (B)



Wire Connector (C)



Bolt Nut (D)

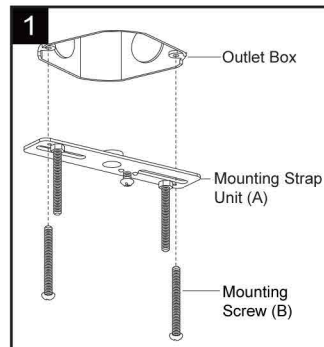


Quick Link (E)

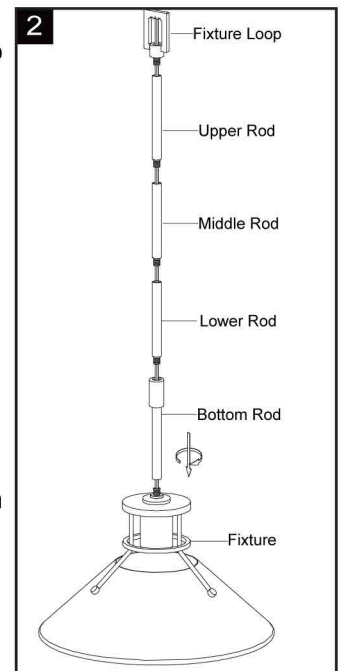
Installation Steps

Turn off the power at fuse or circuit box.

1. Attach the mounting strap unit (A) to the outlet box by using two mounting screws (B).
Note: The depth of threaded pipe on the mounting strap unit may need to be adjusted to properly fit the fixture.

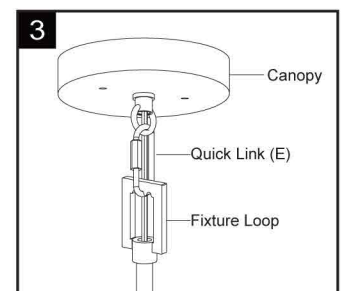


2. Rod connections:
 - a. Secure the bottom rod onto the fixture using the threaded pipe.
 - b. Thread the fixture wire through the lower rod, then secure the lower rod onto the bottom rod using the threaded pipe.
 - c. Thread the fixture wire through the middle rod, then secure the middle rod onto the lower rod using the threaded pipe.
 - d. Thread the fixture wire through the upper rod, then secure the upper rod onto the middle rod using the threaded pipe.
 - e. Thread the fixture wire through the fixture loop, then secure the fixture loop onto the upper rod.



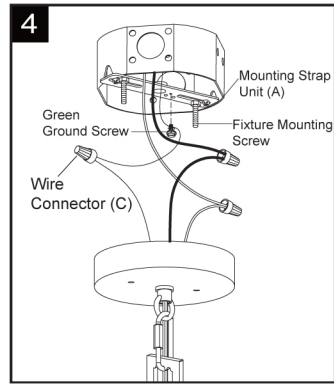
Note: The height can be adjusted to 63" by using the rods. Use fewer rods if shorter height is desired.

3. Thread the fixture wires through the canopy, connect the fixture loop and canopy with the quick link (E).

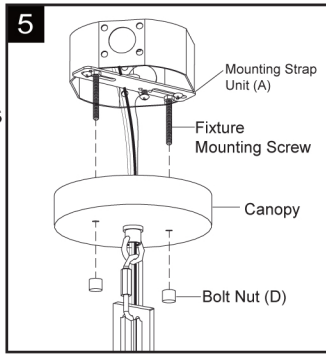


ASSEMBLY INSTRUCTIONS (continued)

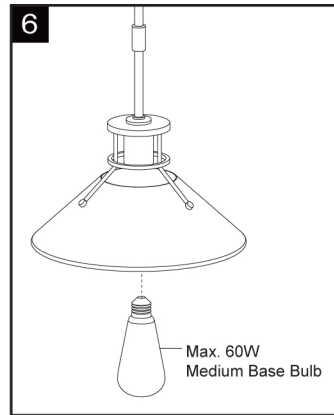
4. Pull out the source wires from the outlet box. Make wire connections using wire connectors (C) as follows:
- Connect the smooth-coated wire (marked) from the fixture to the black wire (hot) from the power source.
 - Connect the ribbed-coated wire (unmarked) from the fixture to the white wire (neutral) from the power source.
 - Attach the fixture ground wire (bare wire) to the mounting strap unit (A) with the green ground screw. Then, depending on local code, connect it to the house ground wire with a wire connector (C).
- Carefully put all of the wires back into the outlet box.



5. Attach the canopy to the mounting strap unit (A) by aligning and inserting the two fixture mounting screws from the mounting strap unit (A) into the open holes on the canopy, then secure the canopy with two bolt nuts (D).



6. Install 1 x 60W medium base bulb. See relamping label at socket area or packaging for maximum wattage allowed.



Turn on the power at fuse or circuit box.

The following parts are available for re-order if damaged or missing.

Spare Parts List:

