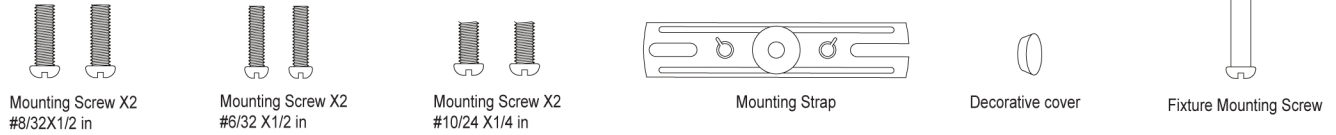


ASSEMBLY AND INSTALLATION INSTRUCTIONS

WARNING: TO AVOID RISK OF ELECTRICAL SHOCK, BE SURE TO SHUT OFF POWER BEFORE INSTALLING OR SERVICING THIS FIXTURE.

NOTES: 1. Before installing, consult local electrical codes for wiring and grounding requirements.
2. READ AND SAVE THESE INSTRUCTIONS.

Hardware Package (included):



Tools Needed:



1. Phillips-head screwdriver for attaching mounting screws to mounting strap, mounting bracket and fixture to mounting bracket.
2. 1/8" wide flat-head screwdriver for connecting the source wires into the wiring terminal station on the mounting bracket.

Important to Know:

1. If you are not familiar with state and local electrical codes, it is recommended that you consult with a qualified electrician.
2. This fixture requires a 120 VAC, 60 Hz power source.
3. For general safety and to avoid any possible damage to the sensor, be sure the power is switched "off" before adjustment.

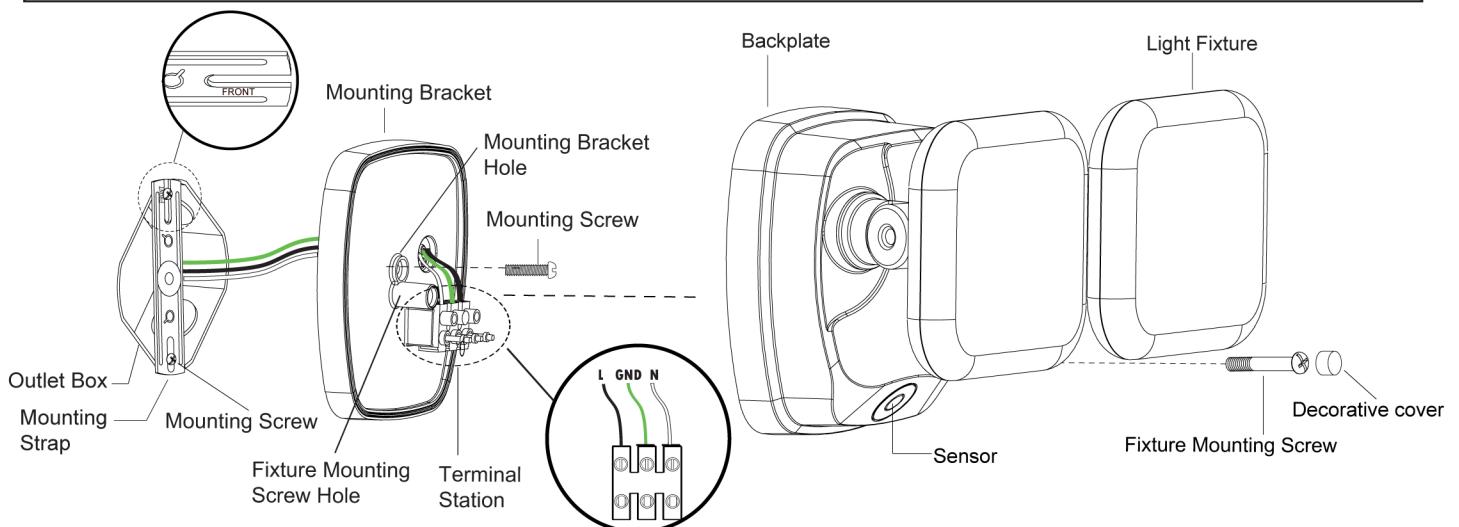
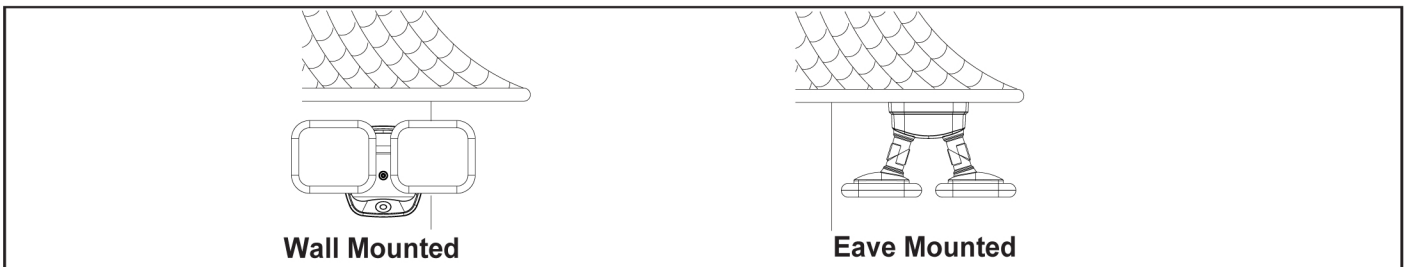
Maximum Wattage: 24 W

Working Temperature Range: -13°F ~ 113°F

Features:

1. Energy saving LED fixture.
2. Photocell automatically keeps the light OFF during daylight hours and automatically turns the light ON during evening hours.
3. The light will DIM to low level brightness automatically after 6 hours of evening illumination
4. The wall switch that the light is connected to can be used to manually override and change functionality and settings of certain modes.

Note: Fixture can be wall mounted or eave mounted.



Installation Steps

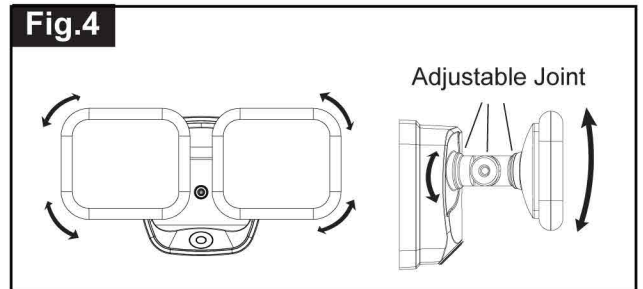
Turn off the power at fuse or circuit box.

1. The fixture mounting bracket is pre-assembled on the light fixture. Unscrew both the decorative cover and the fixture mounting screw in order to remove the mounting bracket.
2. Install the mounting strap to the outlet box with the stamped word "FRONT" facing away from the outlet box, using two mounting screws that best fit the outlet box. Mounting bracket should sit flush against wall surface when secured. (Choose one matching pair of suitable mounting screws from the 3 pairs provided).
3. Pull out the source wires from the outlet box. Using a 1/8" flat-head screwdriver connect the black wire from the outlet box to the "L" interface of the terminal station on the mounting bracket. Connect the white wire from the outlet box to the "N" interface of the terminal station on the mounting bracket. Connect the Ground wire from outlet box to "GND" interface of the terminal station on the mounting bracket. Carefully tuck the wires back into the outlet box.
4. Place mounting bracket against the outlet box, insert the mounting bracket screw through the mounting bracket hole, thread mounting bracket screw into the center hole of the mounting strap. Tighten the mounting bracket screw securely.
5. Attach the backplate of the light fixture to the mounting fixture mounting screw. Then push the decorative cover firmly into the fixture mounting screw hole on the light fixture. Tighten the fixture mounting screw securely.
6. With silicone caulking compound, caulk completely around where the back plate meets the wall surface.
CAUTION: Be sure to caulk completely where the back plate meets the wall surface to prevent water from seeping into the outlet box.

Turn on the power at the main fuse or circuit breaker box.

Adjusting the Light Head:

1. Both lamp heads can be adjusted to point towards your desired light coverage area by turning and bending the Adjustable Joint.
2. Keep the light heads at least 1" (25mm) away from the sensor. (See Fig. 4)
3. Keep the light heads 30° below horizontal to avoid water damage and electrical shock.

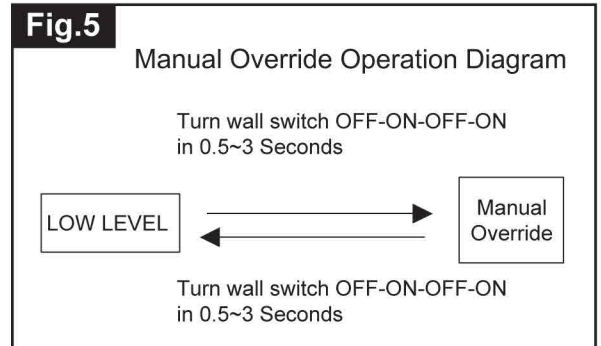


Illumination & CCT:

At dusk, the light turns to high-level brightness (100%) at CCT 5000K, and stays "ON" for 6 hours, then after 6 hours, it turns to low-level brightness (30%) at CCT 5000K.

Manual Override (nighttime operation only):

- * When in "Low Level" mode, turn the wall switch "OFF" then "ON" twice within 3 seconds, the light will then remain on at full brightness (5000K) all night long.
- * To shift back to "Low Level" mode, turn the wall switch "OFF" then turn it "ON" twice within 3 seconds again.
- * The will automatically light turn off at dawn.



Troubleshooting

---The light does not come on at all:

1. Make sure the wall switch and circuit breaker are on.
2. Make sure the wiring is correct.
3. Cover the sensor with dark color cloth to verify that the ambient light level is not too high.

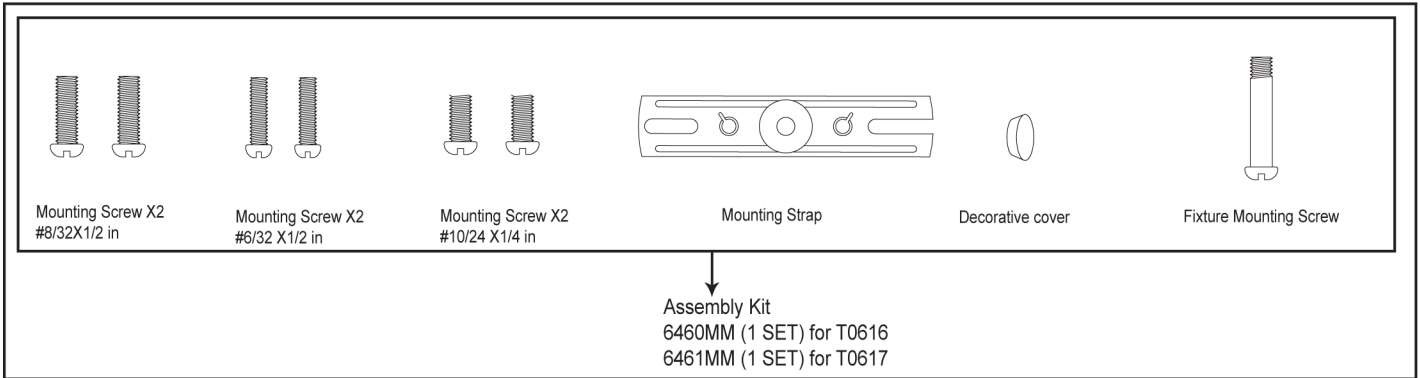
---The light comes on for no apparent reason

Do not use a dimmer or timer to control the light fixture. Replace the dimmer or timer with a standard on/off wall

---The light flashes on and off:

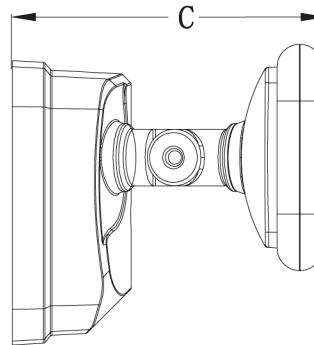
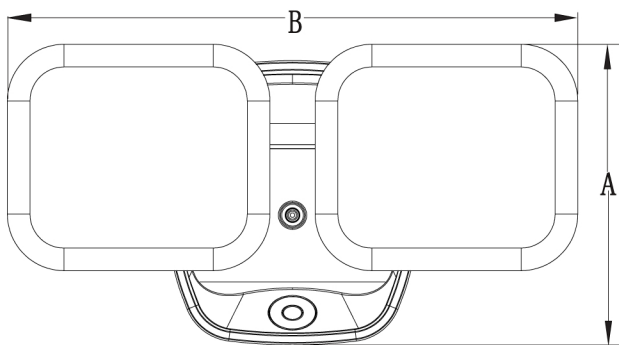
Reposition the light heads away from the motion sensor.

The following parts are available for re-order if damaged or missing. Call our toll free at 1-800-887-6326.



5-YEAR LIMITED WARRANTY:

All products are warranted to be free of defects in material and workmanship for five (5) years from date of purchase. This warranty is limited to the correction of any such defect, or the replacement of any such defective item(s), provided that: (a) we are properly notified and consent to return of the item(s) in question; (b) the item(s) is / are returned with proof of purchase date; and (c) it is found upon inspection by us that the item(s) is / are defective as noted above. This warranty does not cover labor costs, consequential damages, nor does it apply to any item(s) that have been improperly installed, overloaded, altered, or otherwise abused by the customer, its agent(s) or employee(s). Finishes are specially excluded from the terms of this warranty since they are subject to environmental maintenance deemed beyond our control. Other than the described obligation, we assume no further liability with respect to the sale or use of our products. We make no warranty, express or implied, and disclaim any warranty of merchantability or fitness for a particular purpose.



A: 5-1/4"

B: 10"

C: 5-1/2"