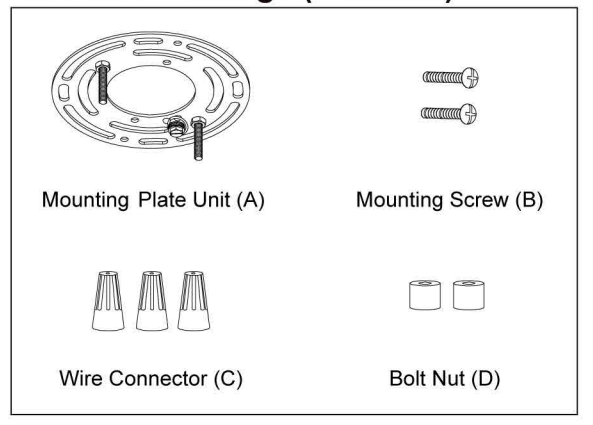


ASSEMBLY AND INSTALLATION INSTRUCTIONS

WARNING: TO AVOID RISK OF ELECTRICAL SHOCK, BE SURE TO SHUT OFF POWER WHILE INSTALLING OR SERVICING THIS FIXTURE.

NOTES: 1. Before installing, consult local electrical codes for wiring and grounding requirements.
2. READ AND SAVE THESE INSTRUCTIONS.

Hardware Package (included):



Installation Steps

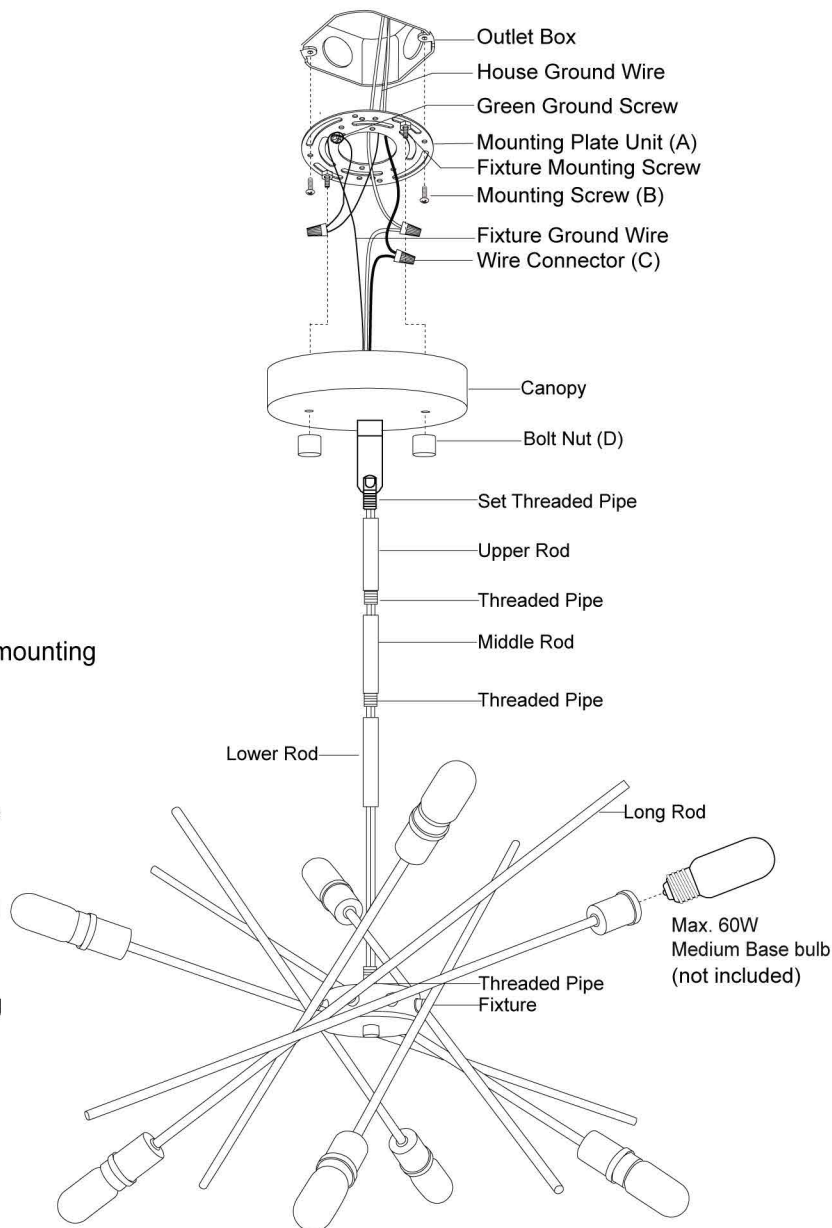
Turn off the power at fuse or circuit box.

1. Attach mounting plate unit (A) to outlet box using two mounting screws (B).
2. Rod Connections:
 - a. Thread the fixture wire from the fixture through the lower rod, and then secure the lower rod onto fixture using the threaded pipe.
 - b. Thread the fixture wire through the middle rod, and then secure the middle rod onto the lower rod using the threaded pipe.
 - c. Thread the fixture wire through the upper rod, and then secure the upper rod onto the middle rod using the threaded pipe.

Note: Length adjustable from 17" to 66".

Use fewer rods if shorter length is desired.

3. Thread the fixture wire through canopy, and then secure the rod assembly to the set threaded pipe.
4. Carefully adjust the 8 pcs long rods as the picture shown by rotating the long rods slightly in the same direction.
5. Pull out the source wires from the outlet box. Make wire connections using wire connectors (C) as follows:
 - Connect the smooth-coated wire (marked) from the fixture to the black wire from the power source.
 - Connect the ribbed-coated wire (unmarked) from the fixture to the white wire from the power source.
 - Attach the fixture ground wire to the mounting plate unit (A) with the green ground screw, then connect it to the house ground wire with a wire connector (C).Carefully put the wires back into the outlet box.
6. Install 8 X 60W Max. medium base bulbs (not included). See relamping label at socket area or packaging for maximum wattage allowed.

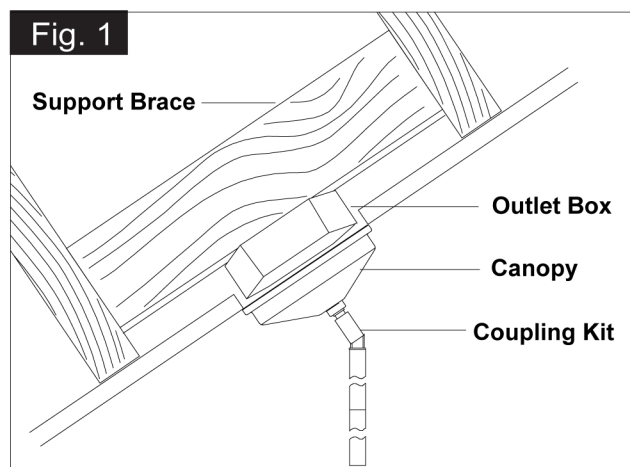


7. Attach the canopy to the mounting plate unit (A), and then secure it with two bolt nuts (D).

8. Angled mounting recommended for a vaulted or angled ceiling. (See Fig. 1)

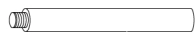
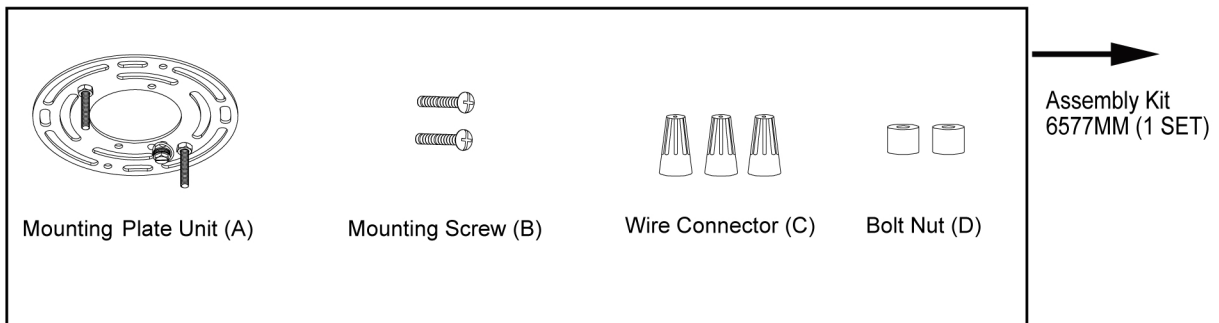
9. This fixture also can be used as a semi-flush mount when use shorter rod and keep the rods flat.

Turn on the power at fuse or circuit box.



The following parts are available for re-order if damaged or missing.

Spare Parts List:



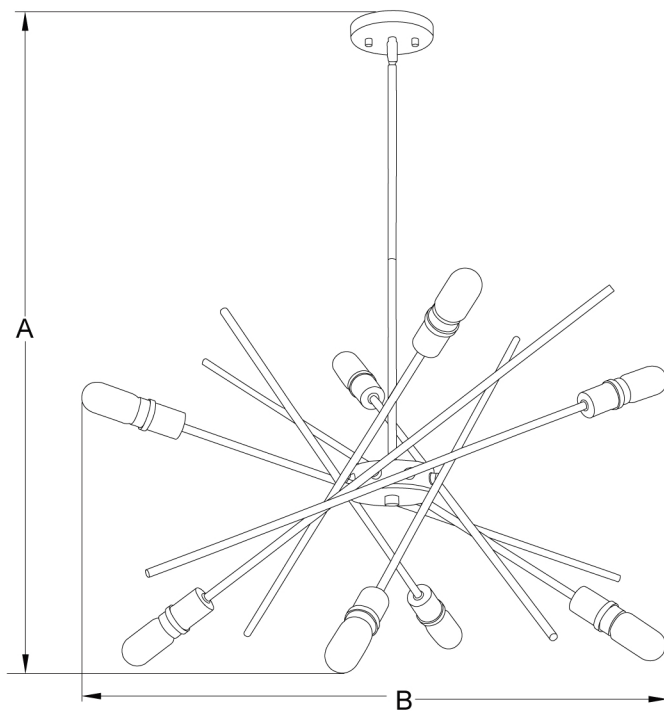
12" Rod
3323RD



6" Rod
3322RD



3" Rod
3321RD



A: 17"~66"

B: 29-1/4"