

CEILING FAN LIMITED LIFETIME WARRANTY*

**for full limited lifetime warranty details please see final page of these instructions.*

Safety Instructions

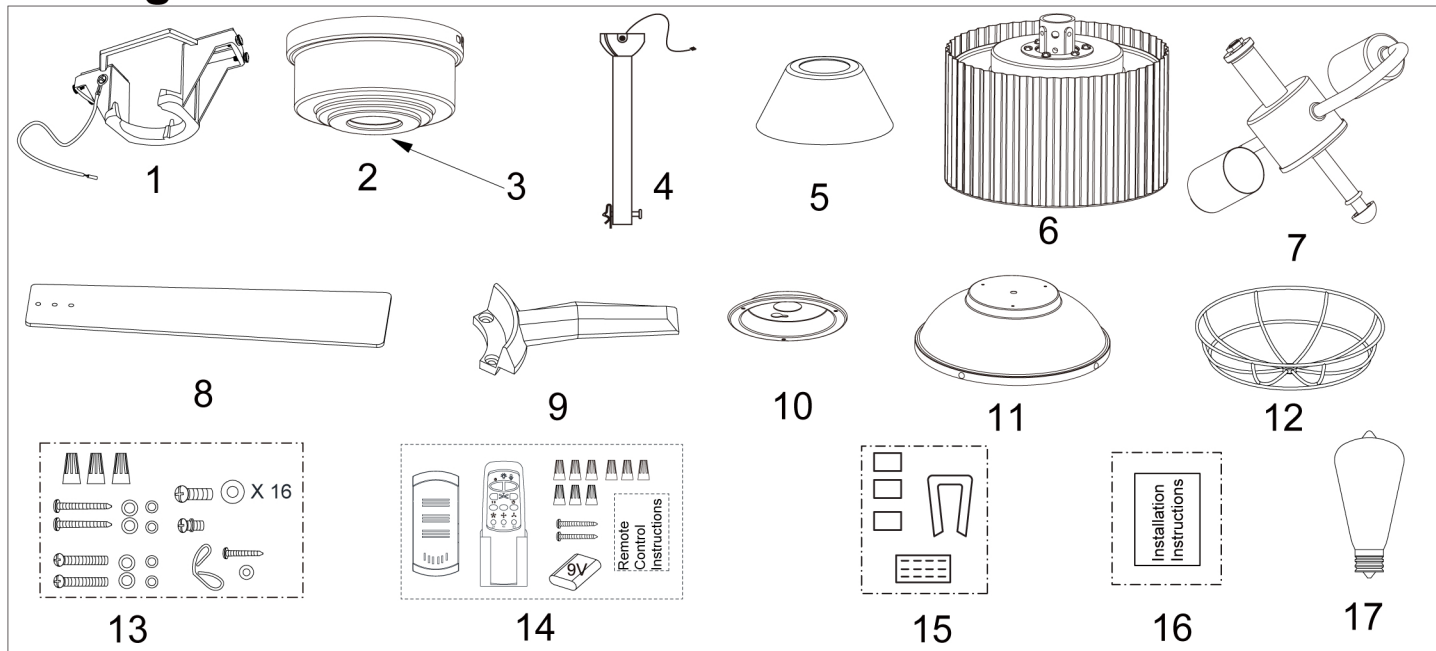
READ ALL SAFETY INFORMATION AND INSTALLATION INSTRUCTIONS BEFORE YOU BEGIN TO INSTALL THE FAN AND SAVE INSTRUCTIONS.

- All set screws of the fan must be checked and retightened where necessary before installation.
- To reduce the risk of personal injury, do not bend the blade brackets when installing the brackets, balancing the blades or cleaning the fan. Do not insert foreign objects between rotating fan blades.
- Before changing the fan direction, turn off the fan and wait for the fan blades to stop completely.
- The safeguards provided by these safety instructions and by the separate installation instructions are not meant to cover all possible conditions and situations that may occur. It must be understood that common sense, caution and care are factors which can not be built into this product.
- These factors must be supplied by the person(s) installing, caring for and operating the fan.

WARNING

- TO AVOID RISK OF ELECTRIC SHOCK, BE SURE TO SHUT OFF POWER AT THE MAIN FUSE OR CIRCUIT BREAKER BOX BEFORE INSTALLING OR SERVICING THIS FIXTURE. TURNING OFF THE ELECTRICAL POWER BY USING THE LIGHT SWITCH IS NOT SUFFICIENT TO PREVENT ELECTRICAL SHOCK.
- TO REDUCE THE RISK OF INJURY, INSTALL THE FAN SO THAT THE BLADES ARE AT LEAST 7 FEET (2.1 METERS) ABOVE THE FLOOR AND AT LEAST 18 INCHES (0.5 METERS) FROM THE TIP OF THE BLADES TO THE WALL.
- TO REDUCE THE RISK OF FIRE, ELECTRIC SHOCK, OR PERSONAL INJURY, MOUNT TO OUTLET BOX MARKED "ACCEPTABLE FOR FAN SUPPORT" AND USE MOUNTING SCREWS PROVIDED WITH THE OUTLET BOX.
- THE INSTALLATION HAS TO BE IN ACCORDANCE WITH THE NATIONAL ELECTRICAL CODE, ANSI/NFPA 70-1999 AND LOCAL CODES. IF YOU ARE UNFAMILIAR WITH THE METHODS OF INSTALLING ELECTRICAL WIRING, SEEK THE SERVICES OF A QUALIFIED LICENSED ELECTRICIAN.

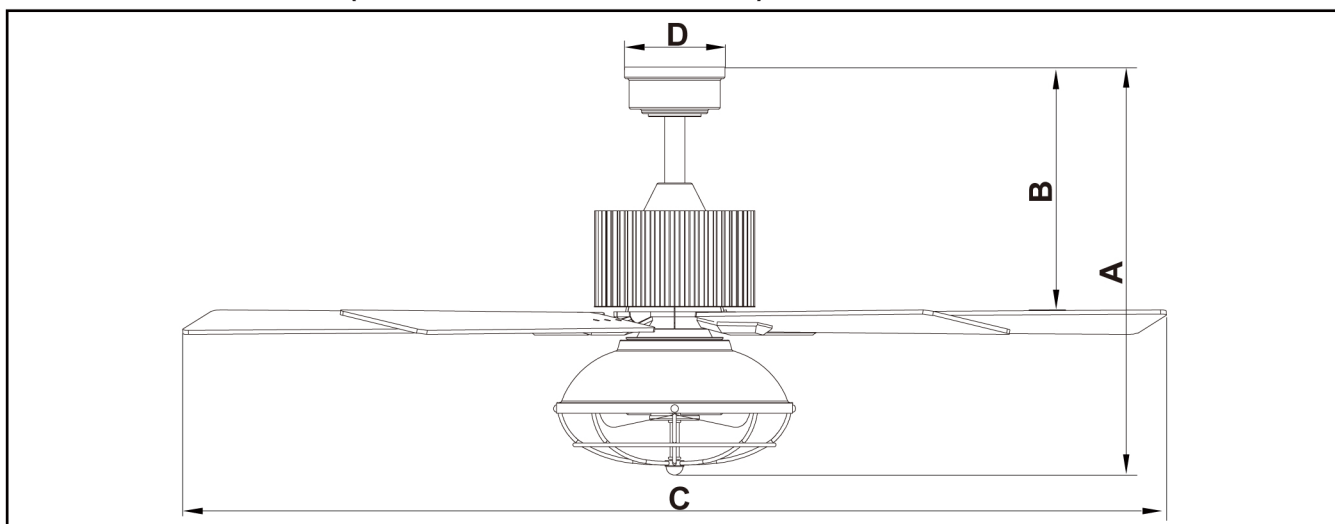
Package Contents:



Unpack your fan and check the contents. You should have the following items.

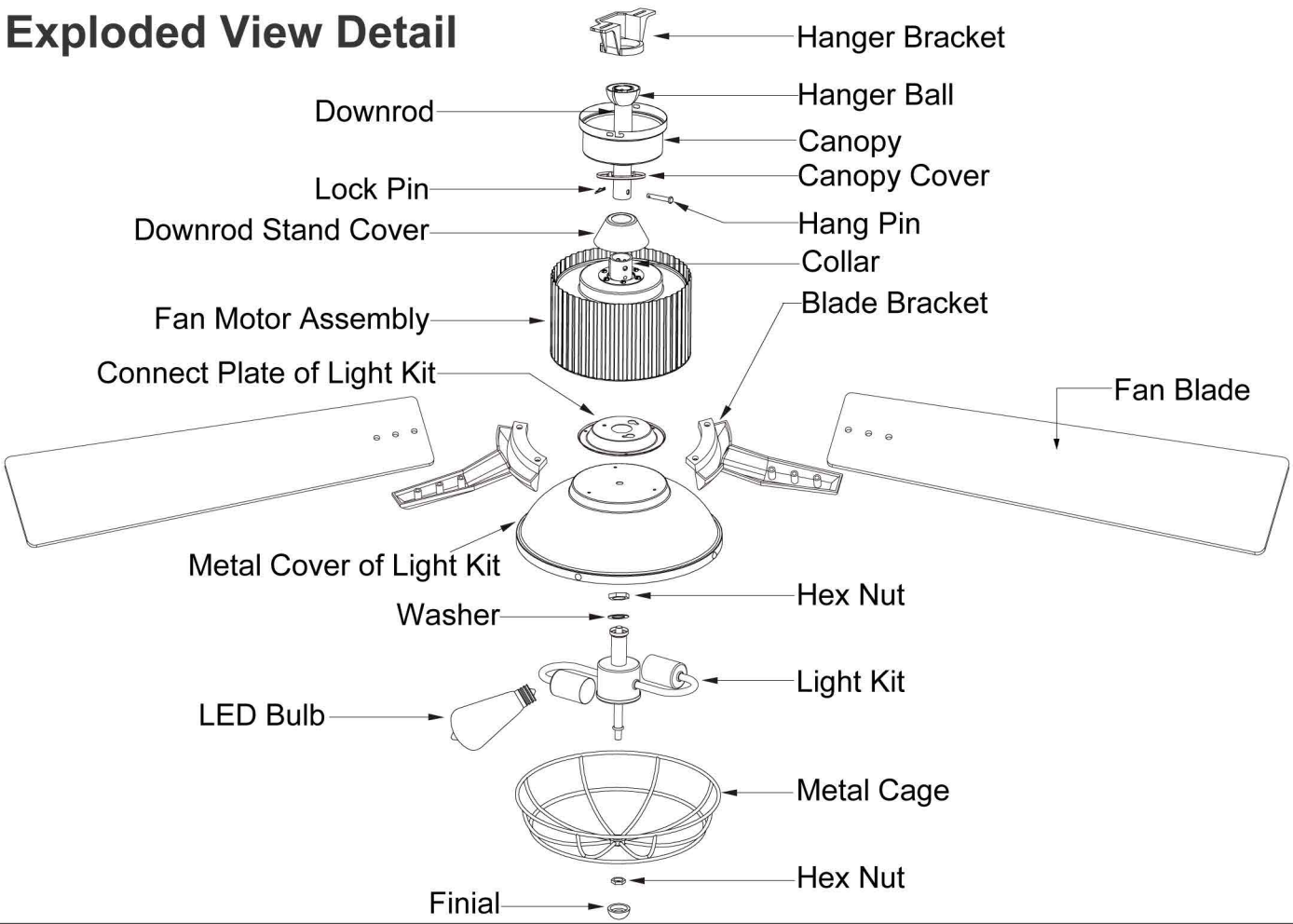
- 1.) Hanger Bracket
- 2.) Canopy
- 3.) Canopy Cover (Remove the Preassembled Canopy Cover from the Canopy Before Installation.)
- 4.) Downrod Set (Included Hanger Ball, 6" Downrod, Hanger Pin & Lock Pin)
- 5.) Downrod Stand Cover
- 6.) Fan Motor Assembly
- 7.) Light Kit
- 8.) Fan Blades (5 PCS)
- 9.) Blade Brackets (5 PCS)
- 10.) Connect Plate of Light Kit
- 11.) Metal Cover of Light Kit
- 12.) Metal Cage
- 13.) Assembly Kit
- 14.) Remote Control Set (Includes Receiver & Transmitter & Wire Connectors & Battery & Screws & Remote Control Instructions)
- 15.) Blade Balancing Kit
- 16.) Installation Instructions
- 17.) 6W E26 (M) Base ST19 Type LED Bulb (2pcs)

Dimension Reference (Installed with 6" Downrod):

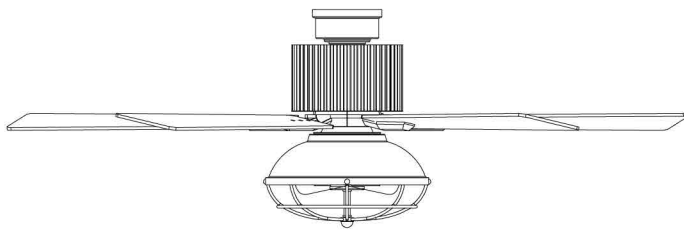


A. 21" B. 15" C. 52" D. 5"

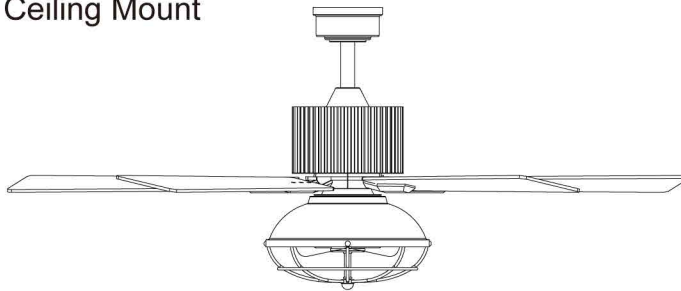
Exploded View Detail



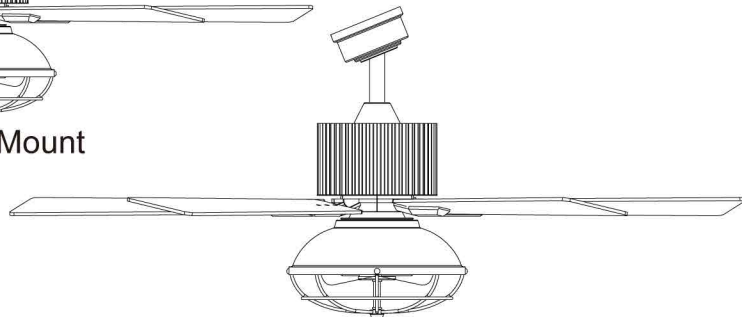
Triple Mount Options



Ceiling Mount



Downrod Mount



Sloped Ceiling Mount (Up to 23 degrees)

INSTALLATION INSTRUCTIONS

IMPORTANT:

- BEFORE YOU BEGIN INSTALLING THE FAN, CAREFULLY READ ALL INFORMATION IN THE SAFETY INSTRUCTIONS AND INSTALLATION INSTRUCTIONS. IF IN DOUBT, CONSULT A QUALIFIED ELECTRICIAN.
- SAVE ALL INSTRUCTIONS.

NOTE: The fan weight is 17.55 lbs (7.95 kg). Be sure the outlet box you are using is securely attached to the building structure and can support the full weight of the fan. Failing to do so can result in serious injury.

Installation Steps :

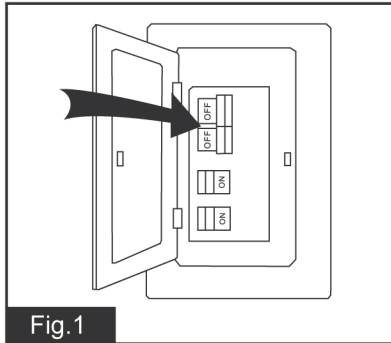


Fig. 1

Turn OFF the electric circuit at the main fuse or circuit breaker box.

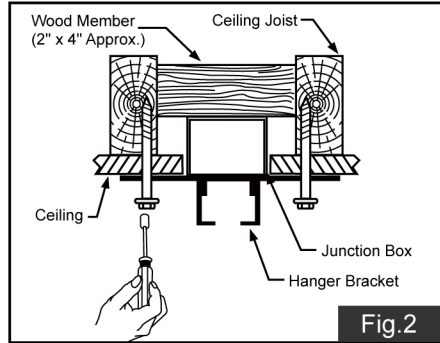


Fig. 2

Tighten the hanger bracket to the outlet box with two mounting screws. **(Make sure the outlet box is securely installed so that it will be able to support at least the fan weight.)** Attach the safety cable hook to the ceiling with the drywall screw and washer, and make sure the safety cable hook is covered by the fan canopy. **WARNING: MOUNT ONLY TO AN OUTLET BOX MARKED "ACCEPTABLE FOR FAN SUPPORT"!**

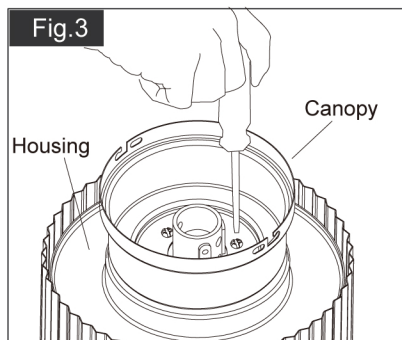
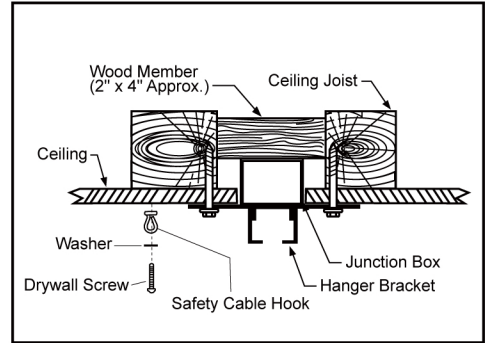


Fig. 3

(For ceiling mount only): Remove the canopy cover from the canopy. Remove downrod stand cover and three of six screws (every other one) securing the motor collar to the top of the fan motor housing. Attach the canopy to the housing with three screws.

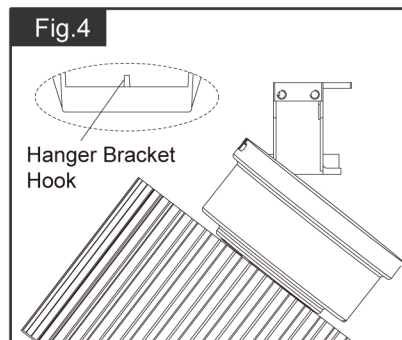


Fig. 4

(For ceiling mount only): Raise the fan and place the canopy on the hanger bracket hook for wiring. Go to Fig. 10 for the next steps.

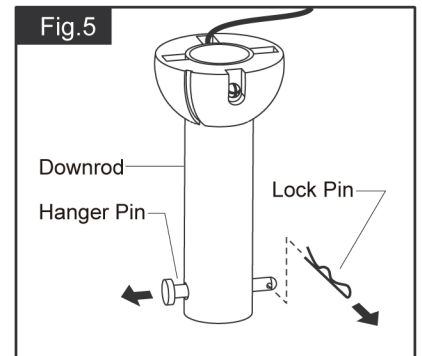


Fig. 5

(For downrod mount only): Remove the lock pin from hanger pin and remove the hanger pin from the downrod.

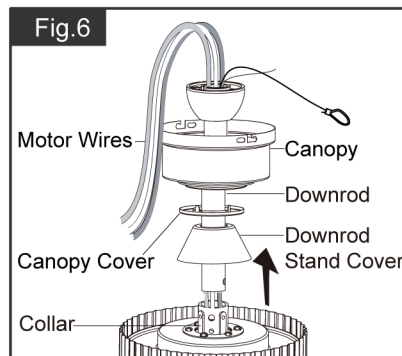


Fig. 6

(For downrod mount only): Thread the motor wires through the downrod stand cover, canopy cover (Making sure the smooth side of canopy cover is facing downward.), canopy and downrod.

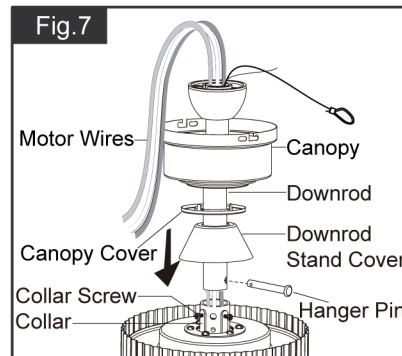
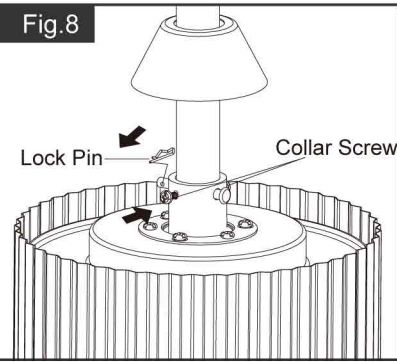


Fig. 7

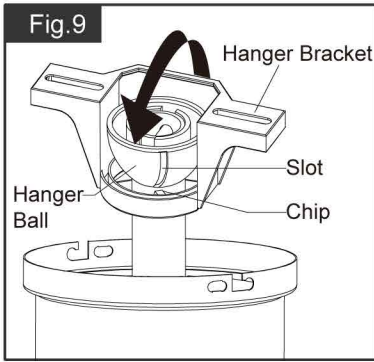
(For downrod mount only): Loosen the collar screws out part way. Insert the downrod into the collar. Slide hanger pin through holes of collar and downrod.

Fig.8



(For downrod mount only): Tighten the two collar screws. Slide lock pin into hanger pin until it is locked into position.

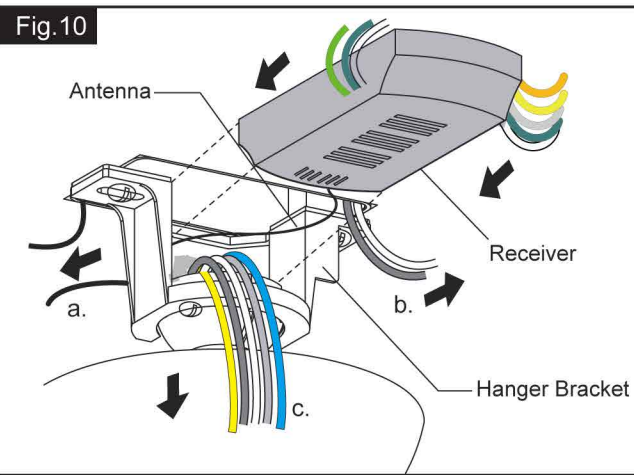
Fig.9



(For downrod mount only): Hang the fan on hanger bracket, and make sure the slot of hanger ball is snapped into the chip of hanger bracket exactly.

Note: For sloped ceiling installation, make sure the slot of hanger ball and the chip of hanger bracket face down.

Fig.10



Move ground wires (a), outlet box wires (b), and motor wires (c) away from the center of the hanger bracket as shown. Thread the antenna through the hanger bracket first, then thread the receiver through the hanger bracket until it is placed in the center. Finally, cut motor wires (c) to length needed for connections.

Fig.11

Connect the black (hot) wire from receiver to the black (hot) wire from outlet box with a wire connector.

Connect the white wire from receiver to the white wire from motor with a wire connector

Connect the black wire from receiver to the black wire from motor (This is for fan control) with a wire connector.

Connect the blue wire from receiver to the blue wire from motor (This is for light control) with a wire connector.

Connect the orange wire from receiver to the orange wire from motor (This is for reversible function) with a wire connector.

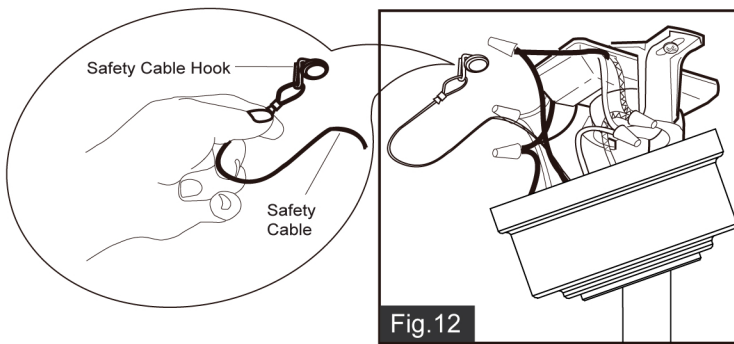
Connect the yellow wire from receiver to the yellow wire from motor (This is for reversible function) with a wire connector.

Connect the white (neutral) wire from receiver to the white (neutral) wire from the outlet box with a wire connector.

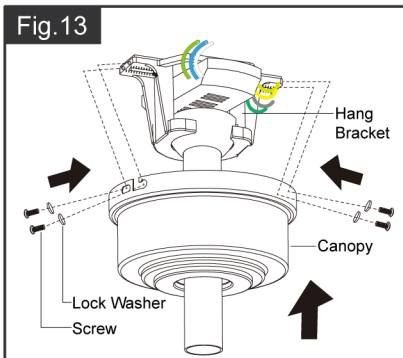
Connect four ground wires (Green or bare copper) coming from outlet box, downrod, hanging bracket and receiver of remote control with a wire connector.

*** After making the wire connections, the wires should be spread apart. The white (neutral) conductor from receiver and outlet box with green (grounding) conductor on one side; the black (hot) conductor from receiver and outlet box with the white, black, blue, orange and yellow conductor from receiver and motor on the other side of the outlet box.

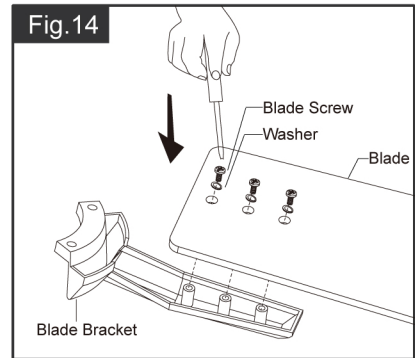
*** The wire connection points should be turned upward and pushed carefully up into outlet box.



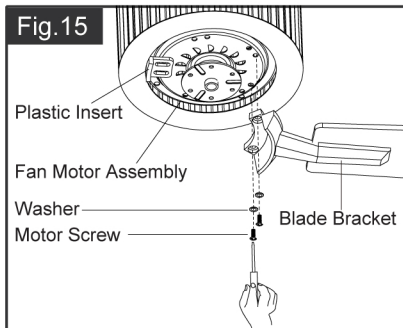
Hang the safety cable into the safety cable hook. (See Fig. 12)



There are four hanger bracket screws and lock washers. Remove two screws and lock washers from the hanger bracket (one from each side) and loosen the other two remaining screws. Align the "L shaped" slots of the canopy with the two remaining screws on the hanger bracket and push the canopy upwards to engage the slots and turn clockwise to lock in place. Tighten the screws and install the other two hanger bracket screws and lock washers into the remaining holes of the canopy and tighten.



Tighten blades to blade brackets by using blade screws and washers.



Remove the motor screws, plastic insert and washers from the fan motor assembly. Secure blade brackets to the motor with washers and motor screws.

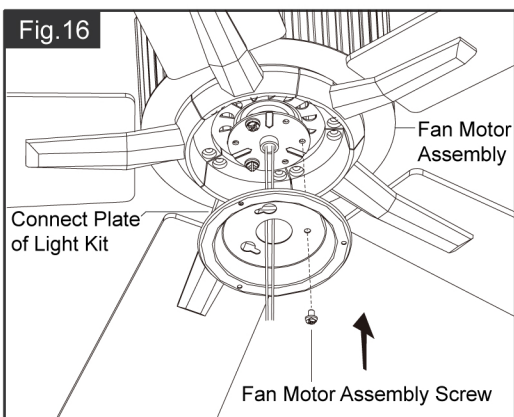
Note:

1. Making sure the side of blade bracket is facing downward.
2. Before installing blade brackets the motor, please remove the plastic insert.

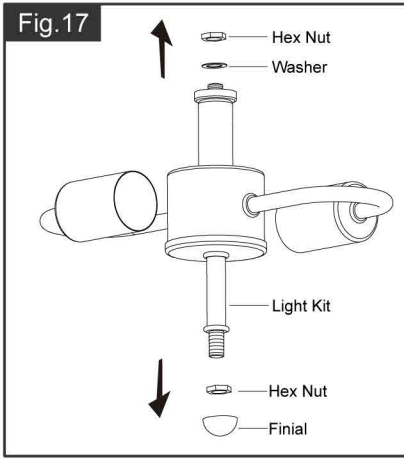
Install fan light

WARNING:

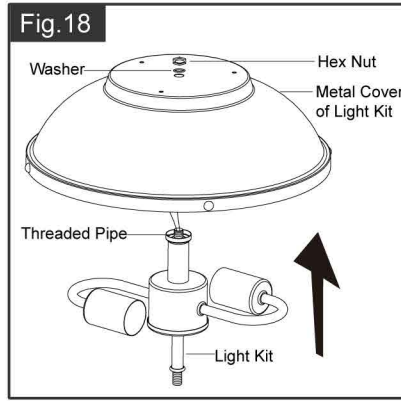
This fan light has a built-in current limiting device in the receiver of remote control to conserve energy. The fan light will shut off shortly if the combined wattage of the installed bulbs exceeds 190Watts. Please replace light bulbs with lower wattage bulbs which show on relamping label or package and then turn on the fan light again.



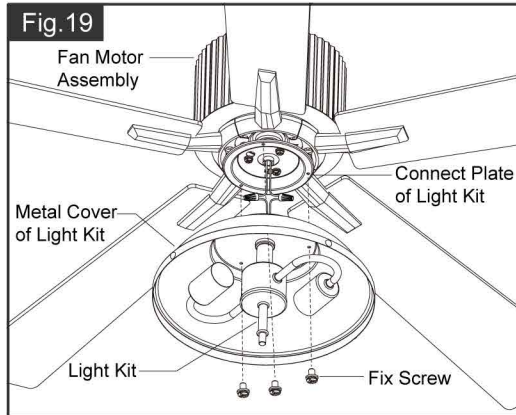
Remove one screw and loosen another two screws from fan motor assembly first, thread the fan motor assembly wires through connect plate of light kit, then push the connect plate of light kit upwards until the fan motor assembly screws insert into the key hole slots of connect plate of light kit, then rotate the connect plate of light kit until it's fixed on the fan motor assembly bottom. Finally, secure the connect plate of light kit to the fan motor assembly bottom with previous screw which was removed. Tighten the other two fan motor assembly screws.



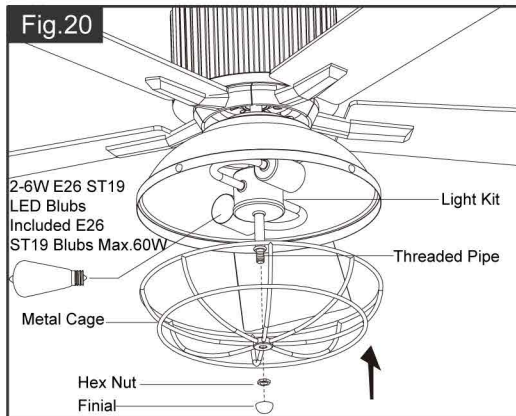
Remove two hex nuts, washer and finial from light kit before installation and keep these for later use.



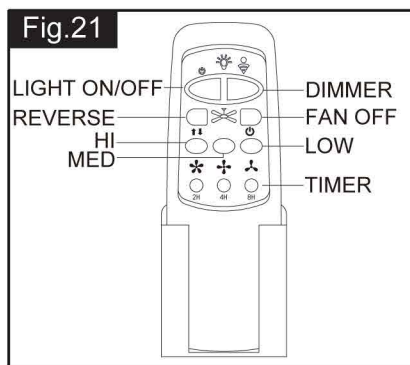
Attach the light kit to the metal cover of light kit by threading the light kit wires (black and white) and remove threaded pipe through the hole of metal cover of light kit and then secure them onto the metal cover of light kit with washer and hex nut. Be sure it is tight enough to prevent light kit from vibrating loose.



Remove three fix screws from connect plate of light kit (for later use). Connect the blue wire from fan motor assembly to the black wire from light kit with a wire connector and connect the white wire from fan motor assembly to the white wire from light kit with a wire connector. Carefully put the wires into the connect plate of light kit, then attach the light kit onto the connect plate of light kit with previous three fix screws.



Install bulbs (included). See relamping label at socket area or packaging for maximum wattage, and attach the bulbs to the light kit. Install the metal cage upward through the threaded pipe and secure with hex nut. Then attach the finial to the metal cage and secure it until tight.



Operating transmitter:

- * Press "HI" button to turn on the fan at high speed.
- * Press "MED" button to turn the fan in medium speed.
- * Press "LOW" button to turn the fan in low speed.
- * Press "FAN OFF" button to turn off the fan.
- * Press "REVERSE" button to set direction of fan rotation.
The fan speed will slow down until the fan is turned off and it will restart by spinning in the reverse direction and resume the previously selected speed setting.
- * Press "LIGHT ON /OFF" button to turn on or turn off the light.
- * Press and hold the "DIMMER" button to dim or brighten lights to the desired level and release, and the brightness level will be memorized. Turn on the light again, then fan light will be restored to the brightness-level at which it was dimmed last time.
- * Timer Control:
Press "2H", "4H" or "8H" "Timer" button can be set to automatically turn off the fan and the light. If the light is off and the fan in on, the timer can automatically turn the fan off in the selected timer time. (Same goes for the light.)
Press light off or fan off button to stop the timer control and the light or fan will be turn off at the same time.

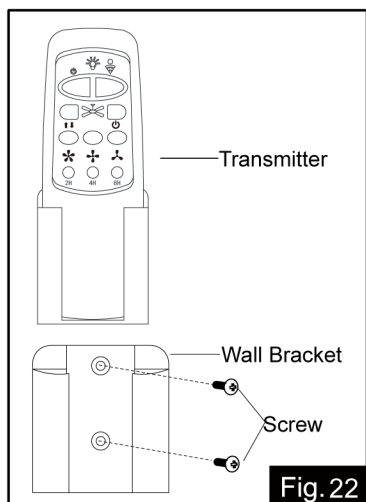
Note:

1. This remote controller has a memory function setting. The fan will operate at the same speed and the fan light will stay at the same brightness-level as the last time the power supply was turned off.
2. Compatible Wall Switches: Lutron SKU# S2-LFSQH-WH / Hunter SKU# 27183 / Legrand SKU# LSCLDC163PWCCV4.
 - a. The direction of fan rotation can't be set without remote controller.
 - b. The fan speed will be stay at high speed after remove the remote controller. Please use wall control to adjust the speed which you need. To proceed with installation without remote control, please start from Fig.23.
3. Compatible with E26 (M) base dimmable LED bulb: LED bulb: Sylvania SKU# 40772.

Set the code:

Within the 10 second time frame after the main power is turned on, press and hold FAN OFF button for more than 3 seconds. The LED light will begin to flash. Once the code is set successfully, the fan will turn off and the light will turn on.

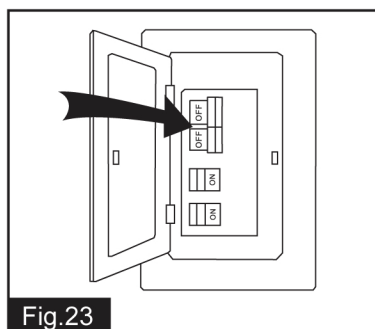
Note: The included transmitter was paired with the receiver at the factory with default settings, so no need to set the code again. Go through these setup steps if you found your transmitter can't communicate with the receiver.



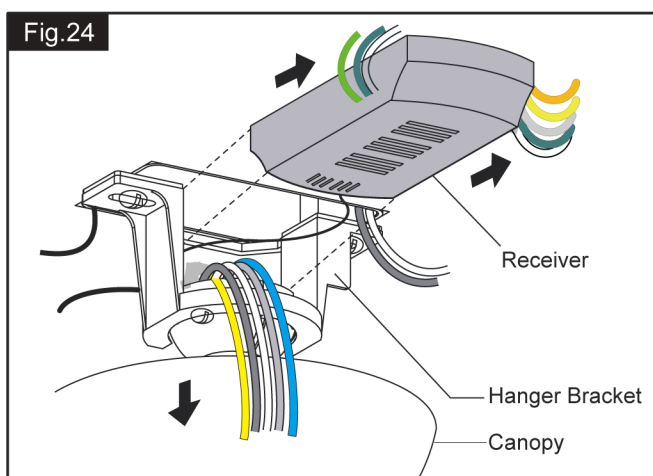
Install the transmitter wall bracket on the wall with two screws and place transmitter in it carefully.

Install Without Remote Controller

Note: Remote controller can not be used along with a solid-state speed control at the same time.



Turn OFF the electric circuit at the main fuse or circuit breaker box. (See Fig.23)



Unscrew the canopy. Remove the wire connectors from the fan to ceiling wire connection. The receiver should be removed from the hanger bracket. (See Fig.24)

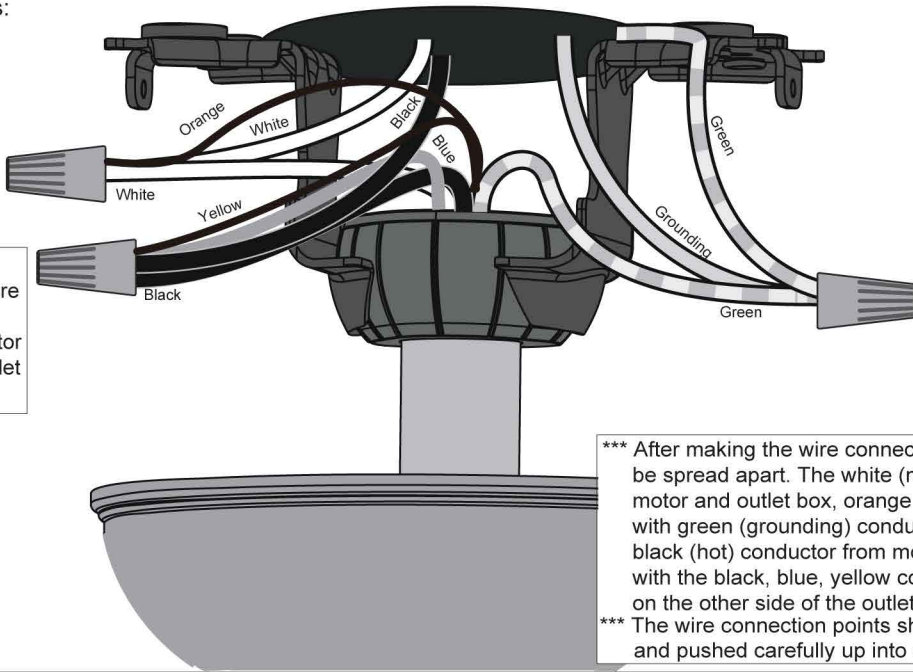


For a single switch
Follow these steps:

Connect the white (neutral) wire and orange reversible wire from motor to the white (neutral) wire from the outlet box with a wire connector.

Connect the black (hot) wire (This is for fan control), blue wire (This is for light control) and yellow reversible wire from motor to the black (hot) wire from outlet box with a wire connector.

Connect three ground wires (Green or bare copper) coming from outlet box, downrod and hanging bracket with a wire connector.



*** After making the wire connections, the wires should be spread apart. The white (neutral) conductor from motor and outlet box, orange conductor from motor with green (grounding) conductor on one side; the black (hot) conductor from motor and outlet box with the black, blue, yellow conductor from motor on the other side of the outlet box.
*** The wire connection points should be turned upward and pushed carefully up into outlet box.

Fig. 25



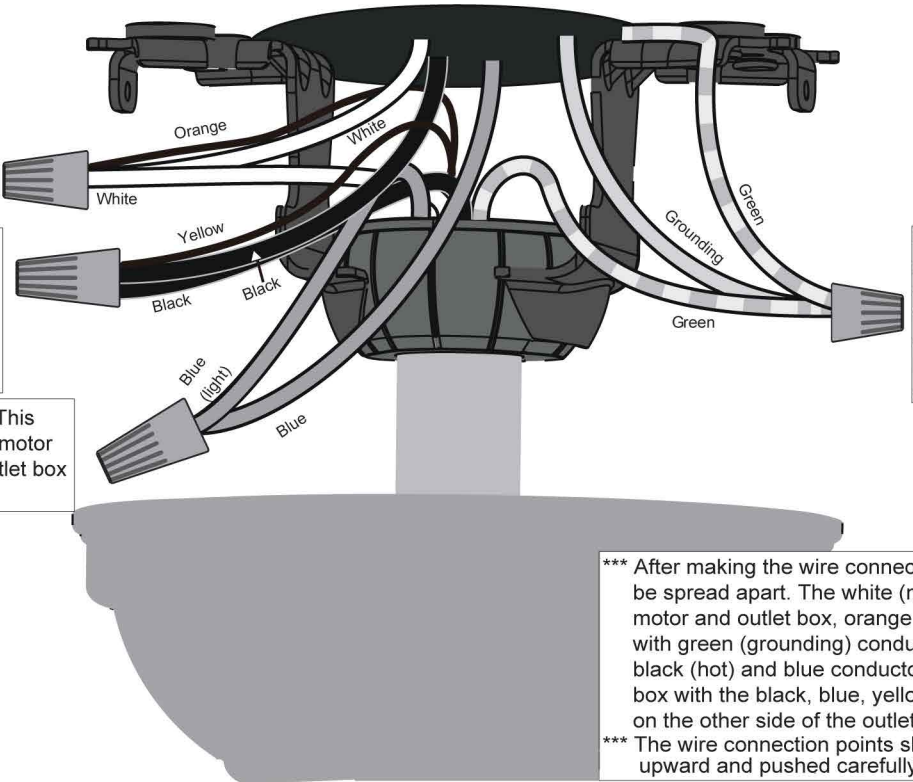
For dual switches
Follow these steps:

Connect the white (neutral) wire and orange reversible wire from motor to the white (neutral) wire from the outlet box with a wire connector.

Connect the black (hot) wire (This is for fan control) and yellow reversible wire from motor to the black (hot) wire from outlet box with a wire connector.

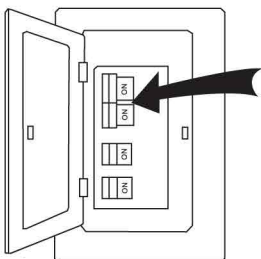
Connect the blue wire (This is for light control) from motor to the blue wire from outlet box with a wire connector.

Connect three ground wires (Green or bare copper) coming from outlet box, downrod and hanging bracket with a wire connector.



*** After making the wire connections, the wires should be spread apart. The white (neutral) conductor from motor and outlet box, orange conductor from motor with green (grounding) conductor on one side; the black (hot) and blue conductor from motor and outlet box with the black, blue, yellow conductor from motor on the other side of the outlet box.
*** The wire connection points should be turned upward and pushed carefully up into outlet box.

Fig. 26



Turn ON the electric circuit at the main fuse or circuit breaker box.

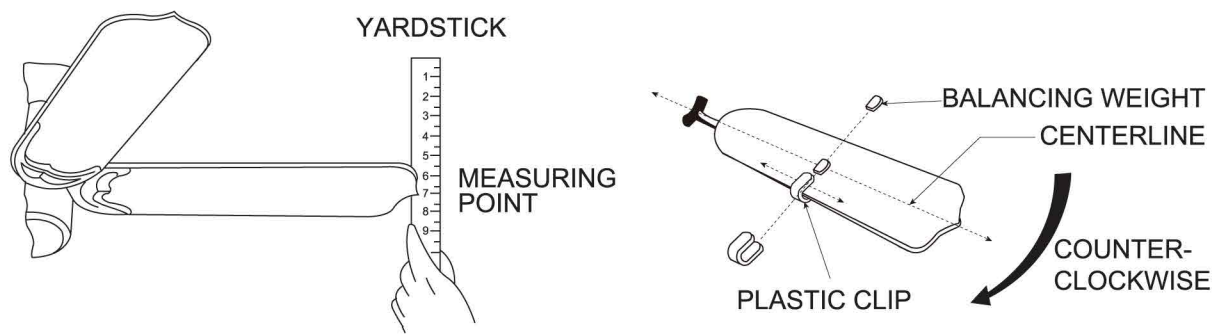
Fig. 27

Troubleshooting Guide

If you have difficulty operating your new ceiling fan, it may be the result of incorrect assembly, installation or wiring. In some cases, these installation errors may be mistaken for defects. If you experience any faults, please check this Troubleshooting Guide.

| PROBLEM | SUGGESTED REMEDY |
|--------------------------------------|--|
| 1. If fan does not start: | <ol style="list-style-type: none">1. Check main and branch circuit fuses or circuit breakers.2. Make sure that the wall control is turned "ON".3. Check line wire connections to fan and switch wire connections in switch housing. CAUTION: Make sure main power is turned off. |
| 2. If fan sounds noisy: | <ol style="list-style-type: none">1. Make sure all screws in motor housing are snug. (not too tight)2. Make sure the screws which attach the fan blade bracket to the motor are tight.3. Make sure wire connectors in switch housing are not rattling against each other or against the interior wall of the switch housing. CAUTION: Make sure main power is turned off before accessing switch housing.4. Allow "break-in" period of 24 hours. Most noises associated with a new fan will disappear after this period. |
| 3. If fan wobbles: | <p>All blades are weighed and grouped by weight. Natural woods vary in density which could cause the fan to wobble even though all blades are weight-matched. The following procedures should eliminate most of the wobble. Check for wobble after each step.</p> <ol style="list-style-type: none">1. Check that all blades are screwed firmly into blade brackets.2. Check that all blade brackets are tightened securely to motor.3. Make sure that canopy and hanger bracket are tightened securely to ceiling junction box and junction box is mounted firmly to ceiling joist.4. Most wobble problems of fan are caused when blades are not in equal level. To check the blade levels, select a point on the ceiling above the tip of any blade. Measure the distance from the ceiling to the blade tip, to an accuracy of 1/8 inch. Rotate the blades until the next blade is in the measuring position. Repeat measurement for each blade. If all blade levels are not equal, you can adjust blade levels by the following procedure. To adjust a blade tip down, insert a washer (not supplied) between the blade and blade bracket at the screw closest to the motor. To adjust a blade tip up, insert washer (not supplied) between the blade and blade bracket at the two screws farthest from the motor.5. Interchanging two adjacent blades could redistribute the weight and possibly result in smoother operation. |
| 4. If light does not work: | <ol style="list-style-type: none">1. Check blue wire from fan to make sure it is connected to hot wire from supply wire coming out of the ceiling.2. Check for loose or disconnected wires in fan switch housing.3. Check for loose or disconnected wires in light kit.4. Check for faulty light bulbs. CAUTION: Make sure main circuit is turned off before entering switch housing. |
| 5. If fan and light kit do not work: | <ol style="list-style-type: none">1. Replacing the battery.2. Re-pair the transmitter and receiver by holding the " FAN OFF" button on the transmitter according to the manual. |

DYNAMIC BLADE BALANCING KIT



PREFACE

Your ceiling fan may sometimes have wobbling problems when operating due to irregularity in the blades or the blade brackets. Improper assembly in the mounting system may cause some additional problems. This balancing kit can be used to fix wobbling problems.

DYNAMIC BLADE BALANCING KIT FOR CEILING FANS

1. Make sure that all blades are firmly screwed into the blade brackets.
2. Make sure that all blade brackets are firmly secured to the motor housing.
3. By looking up at the fan from below, check and be certain that none of the blade brackets are bent and that none of the blades are out of position.
4. Use a yardstick to check the blade tracking. Put the yardstick up against the ceiling vertically and against the outside leading edge of a blade. Note the distance of the edge of blade to the ceiling. Carefully turn the blades slowly by hand to check the remaining blades. All distances should be the same.

Operate the fan ten minutes. After following all the steps and if the wobbling problem is not solved, a dynamic balancing needs to be done with balancing kit. Follow the procedure listed below:

- Turn the fan off. Select one blade and place the plastic clip on it, with the plastic clip located halfway between the blade bracket and the blade tip on the edge of the blade.
Caution: The plastic clip should be placed on the windward edge of the blade for fear of clip flying off.
- Turn the fan on (set the speed that causes the wobble most). Observe if the wobble is better or worse. Turn the fan off and move the clip to the next blade. Do the same for all blades and note on which blade the clip reduces the wobble most. Place the clip on the blade which showed the most improvement. Move the clip inward and outward on this blade and operate the fan to find the position where the clip gives the most improvement.
Caution: Stay clear of the blades. If the clip, for any reason, is not secure, injury could result .
- Once the exact position is determined, place a weight on the top of the blade, on its centerline and as close as possible to the clip. Peel the paper off of the back of the weight and press firmly to ensure that it is securely attached to the blade. Remove the clip.
Caution: Clean the surface of fan blade before placing the balancing weight so that the balancing weight will be firmly attached to it.

CEILING FAN LIMITED LIFETIME WARRANTY*

The limited lifetime warranty covers this fan, for residential use by the original purchaser, against defects in material or workmanship as follows:

If your fan motor fails at any time during the lifetime of the original purchaser due to defects in material or workmanship, we will provide a replacement part free of charge.

If your fan motor fails at any time within one year after the original date of sale to the original purchaser due to defects in material or workmanship, we will provide labor to repair the defect, with the exception of take down/reinstallation, free of charge. The original purchaser will be responsible for all labor costs after this one year period.

If no replacement parts are provided for any part of your fan motor that fails at any time during your lifetime due to defects in material or workmanship, we will refund the original purchase price of your fan.

If your fan includes any integrated LED modules, the LED functionality is covered by a 5-year warranty.

If your fan blades, or any accessory, except glass globes and light bulbs, fails at any time within one year after the original date of purchase due to a defect in material and workmanship, we will repair or replace the defective blades, switch, or accessory free of charge, with the exception of take down/reinstallation services.

If the original purchaser ceases to own the fan, this warranty and any implied warranty, including but not limited to any implied warranty of merchantability or fitness for a particular purpose, become void. This warranty and any implied warranty, including but not limited to any implied warranty of merchantability or fitness for a particular purpose, does not cover glass globes, light bulbs, or finish on any metal portions of the fan.

This warranty is in lieu of express warranties. The duration of any implied warranty of merchantability or fitness for a particular purpose, with respect to any fan motor, blades, switch, or accessories, is expressly limited to the period of the express warranty set forth above for such motor, LED modules, blades, switch, or accessories.

This warranty excludes defects, malfunctions, or failures of any fan that are caused by repairs by persons not authorized by us, use of parts or accessories not authorized by us, mishandling, improper installation, modifications or damage to the fan while in your possession, or unreasonable use, including failure to provide necessary maintenance. This warranty does not include the failure of products from extreme acts of nature; environmental conditions not suited for the products intended use; operation in temperatures outside of the range specified in the instruction manual; usage with improper power supply, power surges or dips. For coastal locations, some corrosion is considered normal for the environment.

Some states do not allow the exclusion or limitation of consequential or incidental damages, in which case the above limitation or exclusion may not apply. This warranty gives you specific legal rights and you may also have other rights which vary from state to state.