



## CEILING FAN LIMITED LIFETIME WARRANTY\*

*\*for full limited lifetime warranty details please see final page of these instructions.*

Model No.: F0092 F0113

### Safety Instructions

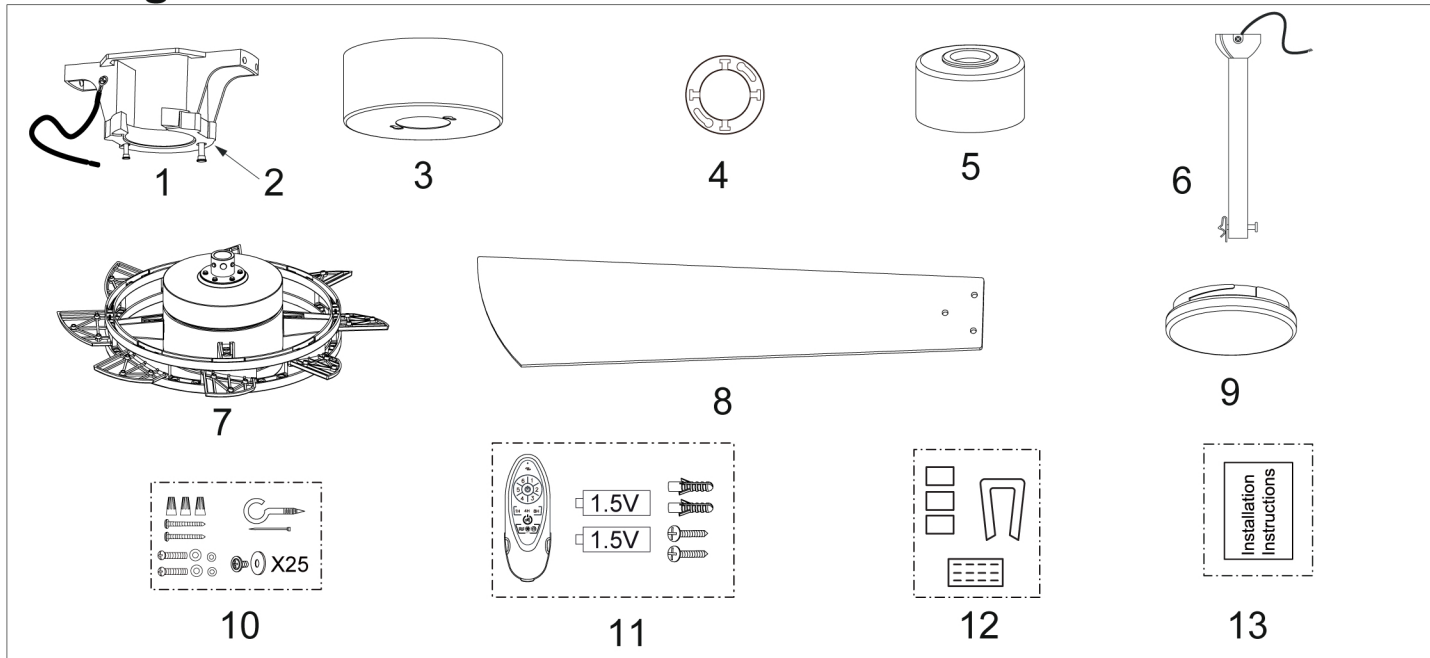
READ ALL SAFETY INFORMATION AND INSTALLATION INSTRUCTIONS BEFORE YOU BEGIN TO INSTALL THE FAN AND SAVE INSTRUCTIONS.

- All set screws of the fan must be checked and retightened where necessary before installation.
- To reduce the risk of personal injury, do not bend the blade brackets when installing the brackets, balancing the blades or cleaning the fan. Do not insert foreign objects between rotating fan blades.
- Before changing the fan direction, turn off the fan and wait for the fan blades to stop completely.
- The safeguards provided by these safety instructions and by the separate installation instructions are not meant to cover all possible conditions and situations that may occur. It must be understood that common sense, caution and care are factors which can not be built into this product.
- These factors must be supplied by the person(s) installing, caring for and operating the fan.

#### **WARNING**

- TO AVOID RISK OF ELECTRIC SHOCK, BE SURE TO SHUT OFF POWER AT THE MAIN FUSE OR CIRCUIT BREAKER BOX BEFORE INSTALLING OR SERVICING THIS FIXTURE. TURNING OFF THE ELECTRICAL POWER BY USING THE LIGHT SWITCH IS NOT SUFFICIENT TO PREVENT ELECTRICAL SHOCK.
- TO REDUCE THE RISK OF INJURY, INSTALL THE FAN SO THAT THE BLADES ARE AT LEAST 7 FEET (2.1 METERS) ABOVE THE FLOOR AND AT LEAST 18 INCHES (0.5 METERS) FROM THE TIP OF THE BLADES TO THE WALL.
- TO REDUCE THE RISK OF FIRE, ELECTRIC SHOCK, OR PERSONAL INJURY, MOUNT TO OUTLET BOX MARKED "ACCEPTABLE FOR FAN SUPPORT" AND USE MOUNTING SCREWS PROVIDED WITH THE OUTLET BOX.
- THE INSTALLATION HAS TO BE IN ACCORDANCE WITH THE NATIONAL ELECTRICAL CODE, ANSI/NFPA 70-1999 AND LOCAL CODES. IF YOU ARE UNFAMILIAR WITH THE METHODS OF INSTALLING ELECTRICAL WIRING, SEEK THE SERVICES OF A QUALIFIED LICENSED ELECTRICIAN.
- CETL LISTED FOR DAMP LOCATIONS; FOR USE IN COVERED PORCHES PATIOS OR SUNROOMS WHERE RAIN OR WATER WILL NOT REACH THE CEILING FAN.

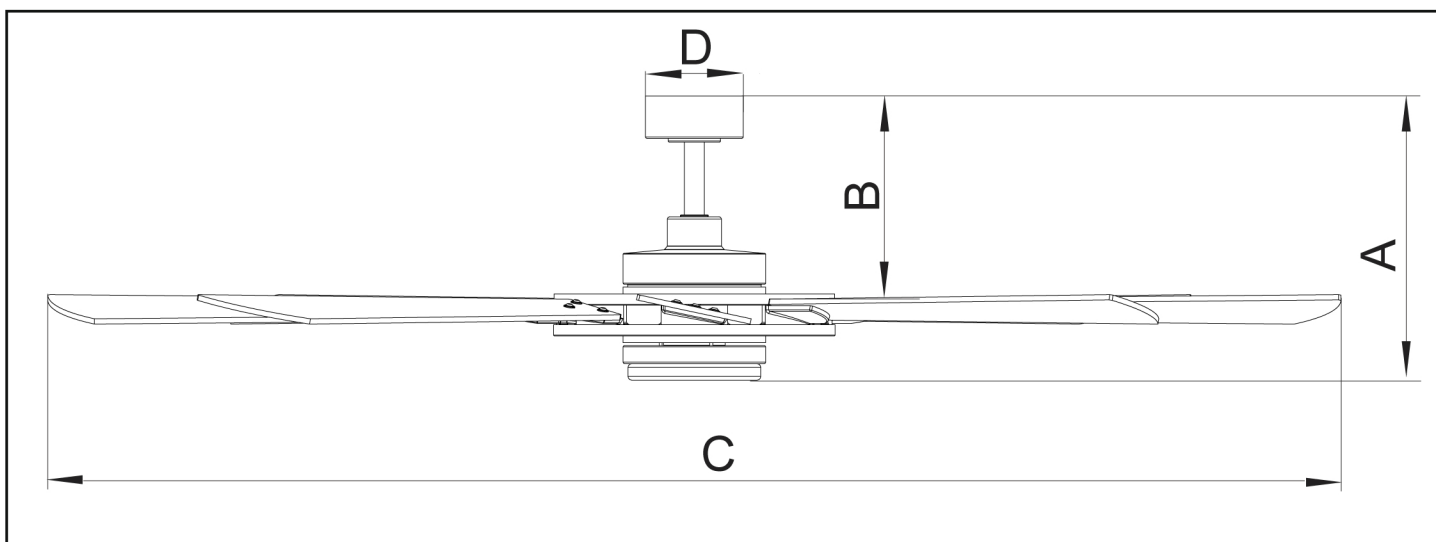
# Package Contents:



Unpack your fan and check the contents. You should have the following items.

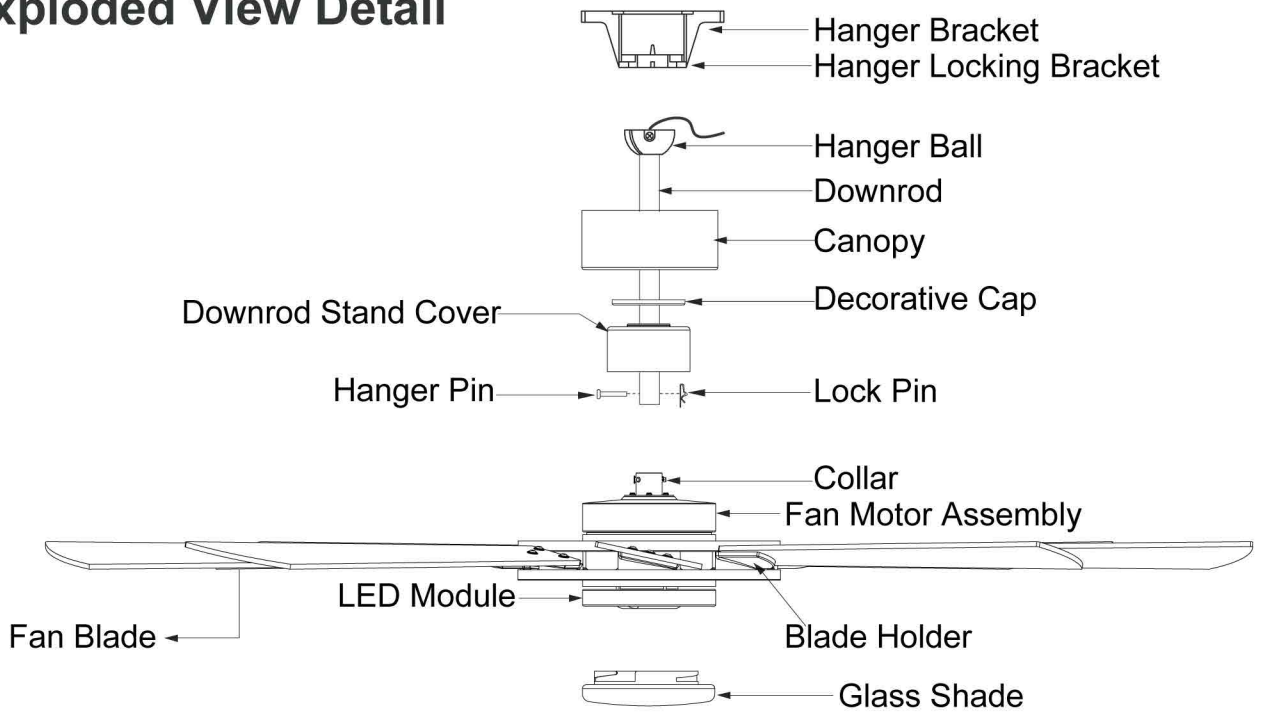
- 1.) Hanger Bracket
- 2.) Hanger Locking Bracket (Preassembled to Hanger Bracket)
- 3.) Canopy
- 4.) Decorative Cap (Comes in a Separate Bag)
- 5.) Downrod Stand Cover
- 6.) Downrod Set (Included Hanger Ball, 6" Downrod, Hanger Pin & Lock Pin)
- 7.) Fan Motor Assembly with LED Module
- 8.) Fan Blades (8 PCS)
- 9.) Glass Shade
- 10.) Assembly Kit
- 11.) Remote Control Set (Included Transmitter & Batteries & Screws)
- 12.) Blade Balancing Kit
- 13.) Installation Instructions

## Dimension Reference (Installed with 6" Downrod):

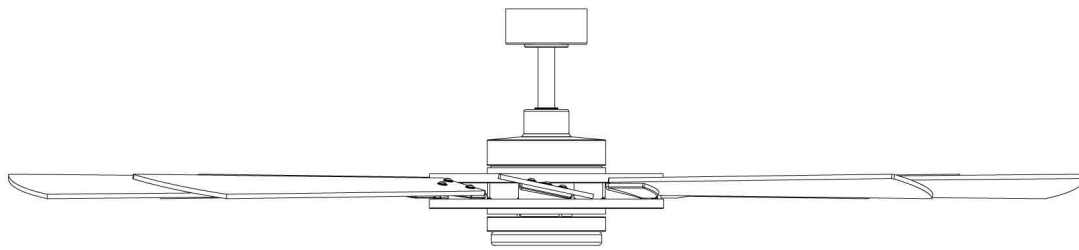


A. 15" B. 11-1/2" C. 68" D. 5"

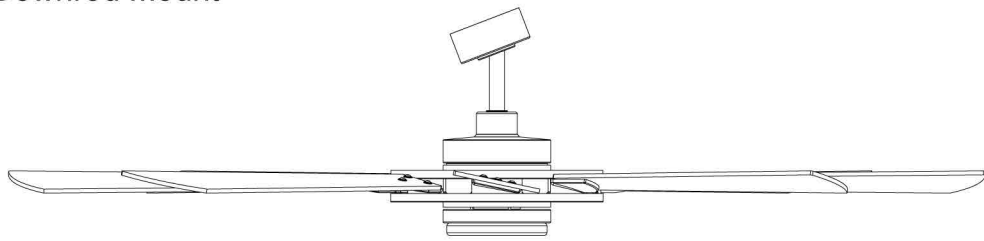
# Exploded View Detail



# Dual Mount Drawing



Downrod Mount



Sloped Ceiling Mount (Up to 23 degrees)

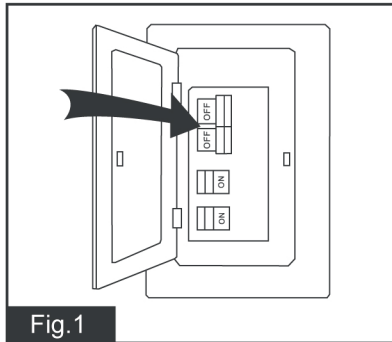
# INSTALLATION INSTRUCTIONS

## IMPORTANT:

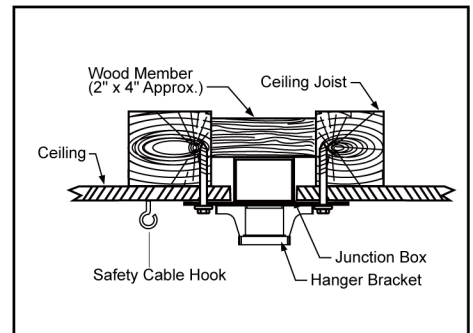
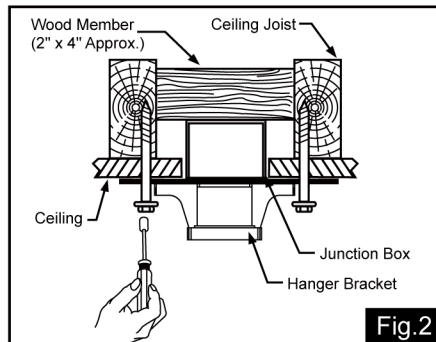
- BEFORE YOU BEGIN INSTALLING THE FAN, CAREFULLY READ ALL INFORMATION IN THE SAFETY INSTRUCTIONS AND INSTALLATION INSTRUCTIONS. IF IN DOUBT, CONSULT A QUALIFIED ELECTRICIAN.
- SAVE ALL INSTRUCTIONS.

NOTE: The fan weight is 23.59 lbs (10.7 kg). Be sure the outlet box you are using is securely attached to the building structure and can support the full weight of the fan. Failing to do so can result in serious injury.

## Installation Steps :

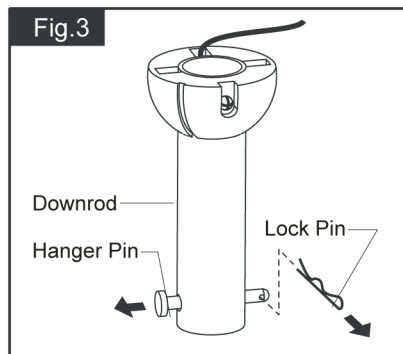


Turn OFF the electric circuit at the main fuse or circuit breaker box.

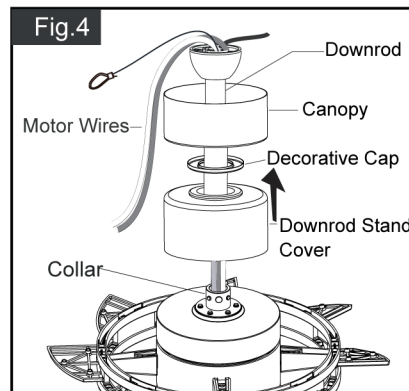


Tighten the hanger bracket to the outlet box with two mounting screws. (**Make sure the outlet box is securely installed so that it will be able to support at least the fan weight.**) Attach the safety cable hook to the ceiling and make sure the safety cable hook is covered by the fan canopy.

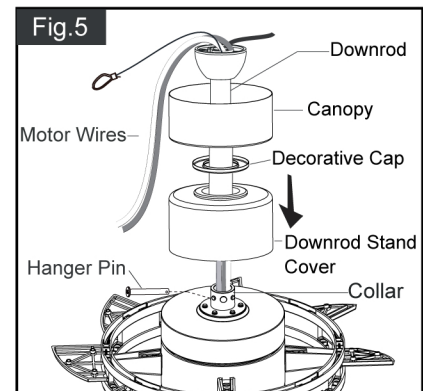
- Note: 1. For sloped ceiling installation, make sure that the chip of the hanger bracket is toward the floor.**  
**2. The fan is too heavy, use this kind of hanger bracket and hanger locking bracket only.**



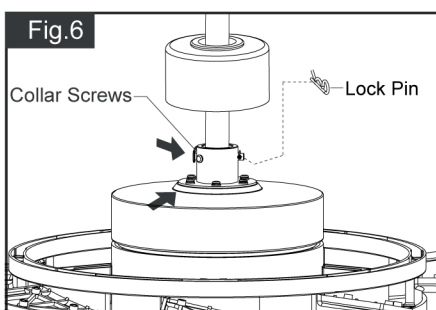
Remove the lock pin from the hanger pin and remove the hanger pin from the downrod.



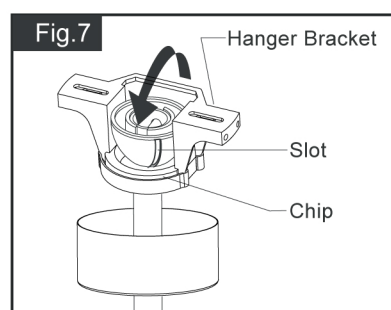
Thread the motor wires through the downrod stand cover, decorative cap (Making sure the smooth side of decorative cap is facing downward.), canopy and downrod.



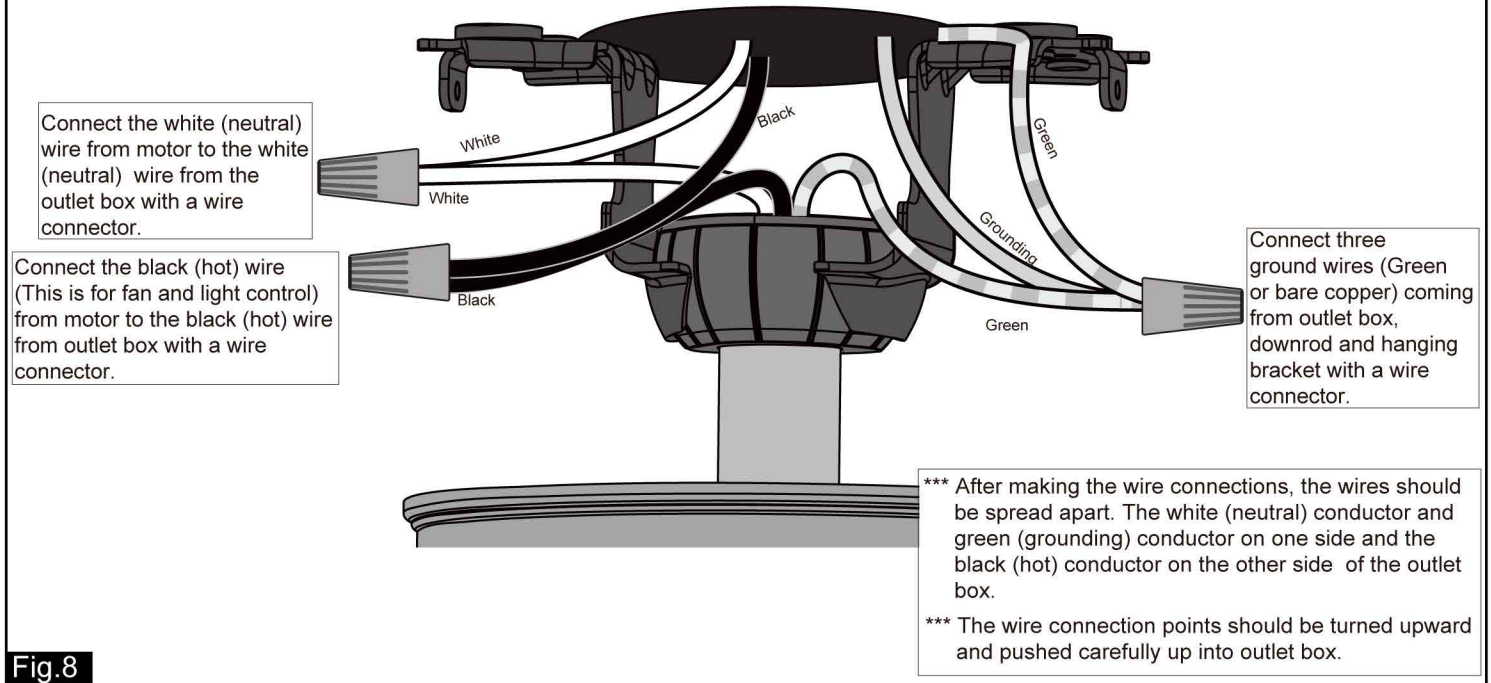
Loosen the collar screws out part way. Insert the downrod into the collar. Slide hanger pin through holes of collar and downrod.



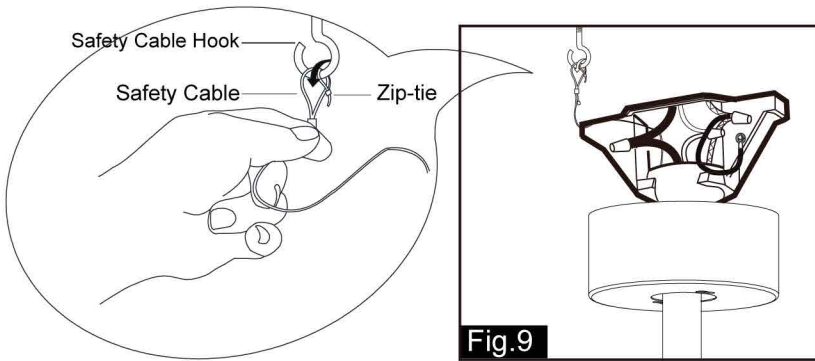
Tighten the two collar screws. Slide lock pin into hanger pin until it is locked into position.



Hang the fan on hanger bracket, and make sure the slot of hanger ball is snapped into the chip of hanger bracket exactly.  
**Note: For sloped ceiling installation, make sure the slot of hanger ball and the chip of hanger bracket face down.**

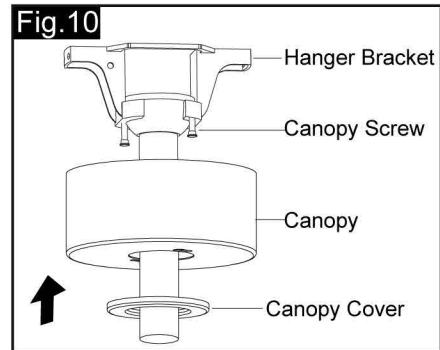


**Fig. 8**



**Fig. 9**

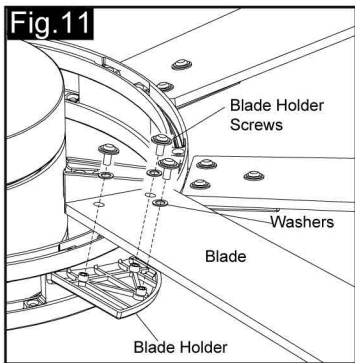
Hang the safety cable into the safety cable hook, tighten the safety cable to the safety cable hook by using the zip-tie.



**Fig. 10**

Slide the canopy up to ceiling and over the two canopy screws on hanger bracket. Rotate canopy clockwise, next, while holding the canopy with one hand, slide the canopy cover over the screws and rotate counterclockwise until tight.

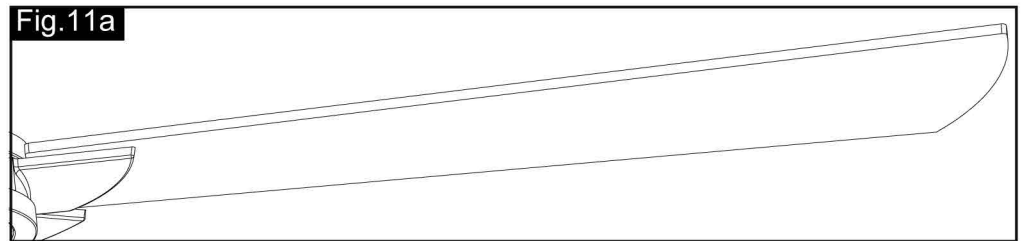
**Note: Adjust the canopy screws as necessary until the canopy and canopy cover are snug.**



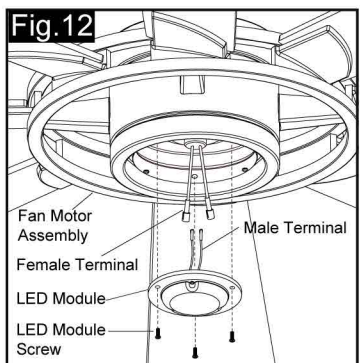
**Fig. 11**

Tighten blades to blade brackets by using blade holder screws and washers.

**Note: The blades shape should be same with the blade holders shape. (Fig.11a)**



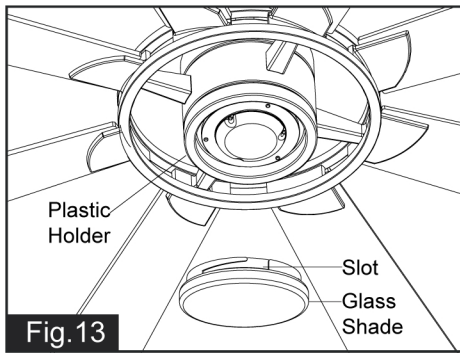
**Fig. 11a**



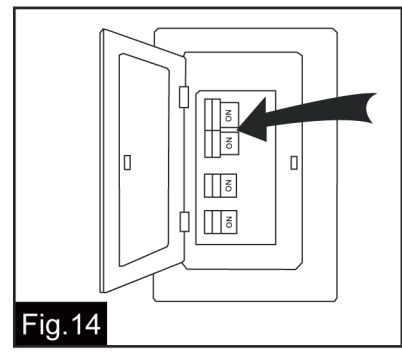
**Fig. 12**

For LED module replacement only:

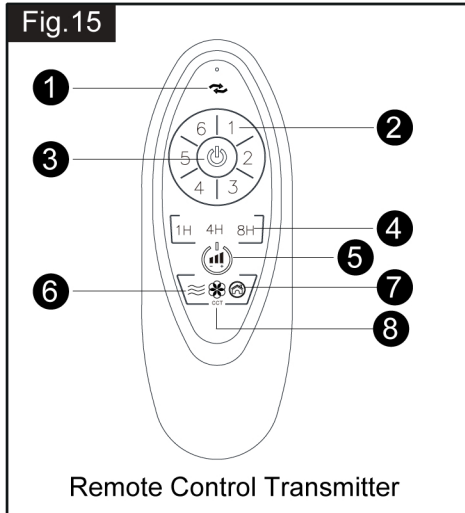
Separate the male from female terminals on the wires connecting the LED module to motor. Take a new LED module and connect the white (neutral) wire from fan motor assembly to the white (neutral) wire from the LED module and connect the blue (hot) wire from fan motor assembly to the black (hot) wire from LED module.



Attach the glass shade to the plastic holder by aligning studs and slots, and then turn it clockwise until it is locked in place.



Turn ON the electric circuit at the main fuse or circuit breaker box.



### Remote controller

Install two 1.5 volt batteries (type AAA, included) into the remote controller. The remote buttons instruct as below:

1. "↶" Reverse button:

Press this button to control fan direction.

The lateness of reverse function is normal, Please wait for a moment.

2. Fan speed:

1 = minimum speed      2 = low speed  
 3 = medium low speed    4 = medium speed  
 5 = medium high speed    6 = high speed

3. "⏻" Button:

Press this button to turn the fan off.

4. Timer Control:

Press "1H", "4H" or "8H" button to stop the fan speed after that period. Press fan off button to stop the timer control, and fan also will be turn off.

5. "☺" button:

Press this button quickly to turn on or turn off the light. Press and hold this button to dim or brighten lights to the desired level then release, and the brightness level will be memorized.

6. "🌀" Breeze button:

Press breeze button to control the fan speeds automatic cycle between 1 to 6 speeds with a 20-second frequency. And any other fan speed button can be stop this function.

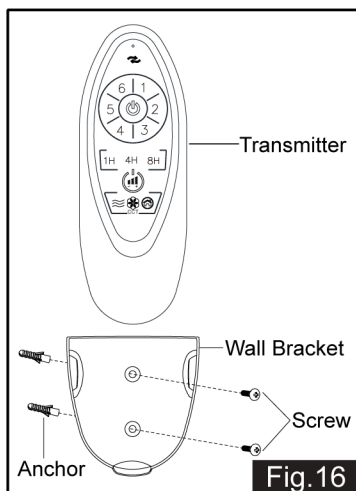
7. Vacation mode button: Press vacation mode button to turn on the light 5 minutes each 2 hours, any other button can be stop this function.

8. "⊗" button:

Press this button to change color temperature of fan light, there are a total of 5 levels color changing from 2700K, 3000K, 3500K, 4000K to 5000K.

### Note:

1. This remote controller has memory function setting. The fan will operate at the same speed and the fan light will stay at the same brightness-level as the last time the power supply was turned off.
2. Included transmitter matched with receiver in the motor.
3. One transmitter can be compatible with 4pcs ceiling fan and every ceiling fan can be compatible with new transmitter according press and hold the fan off button with 5 seconds until you hear the indicator sound of swoosh from the transmitter and this step should be done within 30 seconds time frame after the main power is turned on.



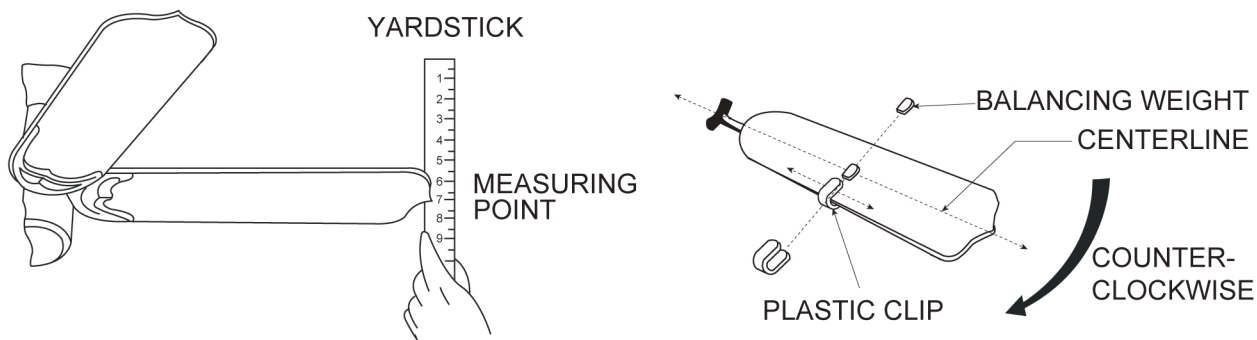
Install the transmitter wall bracket on the wall with two anchors and two screws and place transmitter in it carefully .

## Troubleshooting Guide

If you have difficulty operating your new ceiling fan, it may be the result of incorrect assembly, installation or wiring. In some cases, these installation errors may be mistaken for defects. If you experience any faults, please check this Troubleshooting Guide.

<u>PROBLEM</u>	<u>SUGGESTED REMEDY</u>
1. If fan does not start:	<ol style="list-style-type: none"><li>1. Check main and branch circuit fuses or circuit breakers.</li><li>2. Make sure that the wall control is turned "ON".</li></ol>
2. If fan sounds noisy:	<ol style="list-style-type: none"><li>1. Make sure all screws in motor housing are snug. (not too tight)</li><li>2. Make sure the screws which attach the fan blade holders to the motor are tight.</li><li>3. Make sure wire nut connectors at the back of light kit. are not rattling against each other or against the interior wall of the back of light kit. <b>CAUTION: Make sure main power is turned off before accessing light kit.</b></li><li>4. Check to be sure the light kit is secured on motor tightly.</li><li>5. Some fan motors are sensitive to signals from Solid State variable speed controls.</li><li>6. Allow "break-in" period of 24 hours. Most noises associated with a new fan will disappear after this period.</li></ol>
3. If fan wobbles:	<p>All blades are weighed and grouped by weight. Natural woods vary in density which could cause the fan to wobble even though all blades are weight-matched. The following procedures should eliminate most of the wobble. Check for wobble after each step.</p> <ol style="list-style-type: none"><li>1. Check that all blades are screwed firmly into blade holders.</li><li>2. Check that all blade holders are tightened securely to motor.</li><li>3. Make sure that canopy and hanger bracket are tightened securely to ceiling outlet box and outlet box is mounted firmly to ceiling joist.</li><li>4. Most wobble problems of fan are caused when blades are not in equal level. To check the blade levels, select a point on the ceiling above the tip of any blade. Measure the distance from the ceiling to the blade tip, to an accuracy of 1/8 inch. Rotate the blades until the next blade is in the measuring position. Repeat measurement for each blade. If all blade levels are not equal, you can adjust blade levels by the following procedure. To adjust a blade tip down, insert a washer (not supplied) between the blade and blade bracket at the screw closest to the motor. To adjust a blade tip up, insert washer (not supplied) between the blade and blade bracket at the two screws farthest from the motor.</li><li>5. Interchanging two adjacent blades could redistribute the weight and possibly result in smoother operation.</li></ol>
4. If light does not work:	<ol style="list-style-type: none"><li>1. Check blue wire from fan to make sure it is connected to hot wire from supply wire coming out of the ceiling.</li><li>2. Check for loose or disconnected wires in fan light kit.</li><li>3. Check for faulty LED module.</li></ol>
5. If fan and light kit do not work:	<ol style="list-style-type: none"><li>1. Replacing the battery.</li><li>2. Re-pair the transmitter and receiver by holding the " FAN OFF" button on the transmitter according to the manual.</li></ol>

# DYNAMIC BLADE BALANCING KIT



## PREFACE

Your ceiling fan may sometimes have wobbling problems when operating due to irregularity in the blades or the blade brackets. Improper assembly in the mounting system may cause some additional problems. This balancing kit can be used to fix wobbling problems.

## DYNAMIC BLADE BALANCING KIT FOR CEILING FANS

1. Make sure that all blades are firmly screwed into the blade brackets.
2. Make sure that all blade brackets are firmly secured to the motor housing.
3. By looking up at the fan from below, check and be certain that none of the blade brackets are bent and that none of the blades are out of position.
4. Use a yardstick to check the blade tracking. Put the yardstick up against the ceiling vertically and against the outside leading edge of a blade. Note the distance of the edge of blade to the ceiling. Carefully turn the blades slowly by hand to check the remaining blades. All distances should be the same.

Operate the fan ten minutes. After following all the steps and if the wobbling problem is not solved, a dynamic balancing needs to be done with balancing kit. Follow the procedure listed below:

- Turn the fan off. Select one blade and place the plastic clip on it, with the plastic clip located halfway between the blade bracket and the blade tip on the edge of the blade.  
**Caution: The plastic clip should be placed on the windward edge of the blade for fear of clip flying off.**
- Turn the fan on (set the speed that causes the wobble most). Observe if the wobble is better or worse. Turn the fan off and move the clip to the next blade. Do the same for all blades and note on which blade the clip reduces the wobble most. Place the clip on the blade which showed the most improvement. Move the clip inward and outward on this blade and operate the fan to find the position where the clip gives the most improvement.  
**Caution: Stay clear of the blades. If the clip, for any reason, is not secure, injury could result.**
- Once the exact position is determined, place a weight on the top of the blade, on its centerline and as close as possible to the clip. Peel the paper off of the back of the weight and press firmly to ensure that it is securely attached to the blade. Remove the clip.  
**Caution: Clean the surface of fan blade before placing the balancing weight so that the balancing weight will be firmly attached to it.**



# CEILING FAN LIMITED LIFETIME WARRANTY\*

The limited lifetime warranty covers this fan, for residential use by the original purchaser, against defects in material or workmanship as follows:

If your fan motor fails at any time during the lifetime of the original purchaser due to defects in material or workmanship, we will provide a replacement part free of charge.

If your fan motor fails at any time within one year after the original date of sale to the original purchaser due to defects in material or workmanship, we will provide labor to repair the defect, with the exception of take down/reinstallation, free of charge. The original purchaser will be responsible for all labor costs after this one year period.

If no replacement parts are provided for any part of your fan motor that fails at any time during your lifetime due to defects in material or workmanship, we will refund the original purchase price of your fan.

If your fan includes any integrated LED modules, the LED functionality is covered by a 5-year warranty.

If your fan blades, or any accessory, except glass globes and light bulbs, fails at any time within one year after the original date of purchase due to a defect in material and workmanship, we will repair or replace the defective blades, switch, or accessory free of charge, with the exception of take down/reinstallation services.

If the original purchaser ceases to own the fan, this warranty and any implied warranty, including but not limited to any implied warranty of merchantability or fitness for a particular purpose, become void. This warranty and any implied warranty, including but not limited to any implied warranty of merchantability or fitness for a particular purpose, does not cover glass globes, light bulbs, or finish on any metal portions of the fan.

This warranty is in lieu of express warranties. The duration of any implied warranty of merchantability or fitness for a particular purpose, with respect to any fan motor, blades, switch, or accessories, is expressly limited to the period of the express warranty set forth above for such motor, LED modules, blades, switch, or accessories.

This warranty excludes defects, malfunctions, or failures of any fan that are caused by repairs by persons not authorized by us, use of parts or accessories not authorized by us, mishandling, improper installation, modifications or damage to the fan while in your possession, or unreasonable use, including failure to provide necessary maintenance. This warranty does not include the failure of products from extreme acts of nature; environmental conditions not suited for the products intended use; operation in temperatures outside of the range specified in the instruction manual; usage with improper power supply, power surges or dips. For coastal locations, some corrosion is considered normal for the environment.

Some states do not allow the exclusion or limitation of consequential or incidental damages, in which case the above limitation or exclusion may not apply. This warranty gives you specific legal rights and you may also have other rights which vary from state to state.