

# LIMITED LIFETIME WARRANTY

## CEILING FAN LIMITED LIFETIME WARRANTY

The limited lifetime warranty covers this fan, for residential use by the original purchaser, against defects in material or workmanship as follows:

If your fan motor fails at any time during the lifetime of the original purchaser due to defects in material or workmanship, we will provide a replacement part free of charge.

If your fan motor fails at any time within one year after the original date of sale to the original purchaser due to defects in material or workmanship, we will provide labor to repair the defect, with the exception of take down/reinstallation, free of charge. The original purchaser will be responsible for all labor costs after this one year period.

If no replacement parts are provided for any part of your fan motor that fails at any time during your lifetime due to defects in material or workmanship, we will refund the original purchase price of your fan.

If your fan blades, or any accessory, except glass globes and light bulbs, fails at any time within one year after the original date of purchase due to a defect in material and workmanship, we will repair or, if we choose, replace the defective blades, switch, or accessory free of charge, with the exception of take down/reinstallation services.

If the original purchaser ceases to own the fan, this warranty and any implied warranty, including but not limited to any implied warranty of merchantability or fitness for a particular purpose, become void. This warranty and any implied warranty, including but not limited to any implied warranty of merchantability or fitness for a particular purpose, do not cover glass globes, light bulbs, or finish on any metal portions of the fan.

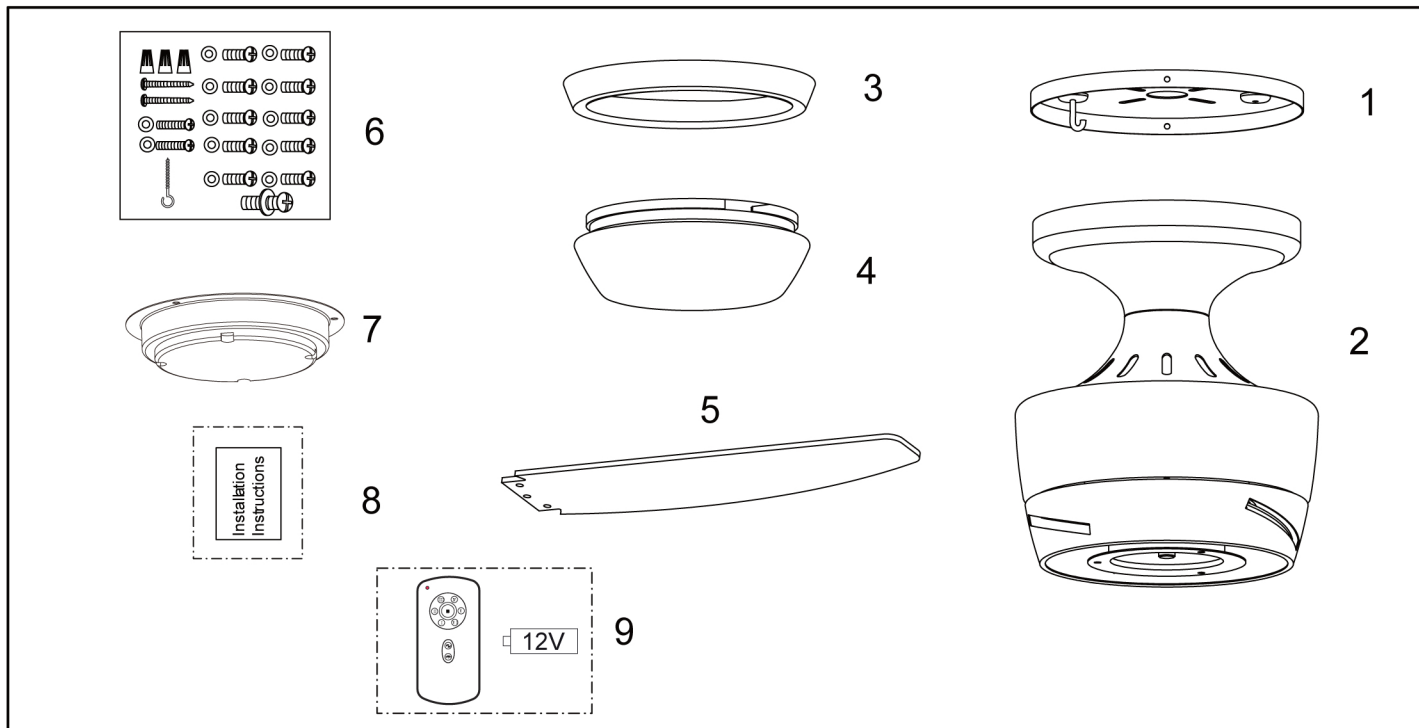
This warranty is in lieu of express warranties. The duration of any implied warranty of merchantability or fitness for a particular purpose, with respect to any fan motor, blades, switch, or accessories, is expressly limited to the period of the express warranty set forth above for such motor, blades, switch, or accessories.

This warranty excludes defects, malfunctions, or failures of any fan that are caused by repairs by persons not authorized by us, use of parts or accessories not authorized by us, mishandling, improper installation, modifications or damage to the fan while in your possession, or unreasonable use, including failure to provide necessary maintenance.

Some states do not allow the exclusion or limitation of consequential or incidental damages, in which case the above limitation or exclusion may not apply.

This warranty gives you specific legal rights and you may also have other rights which vary from state to state.

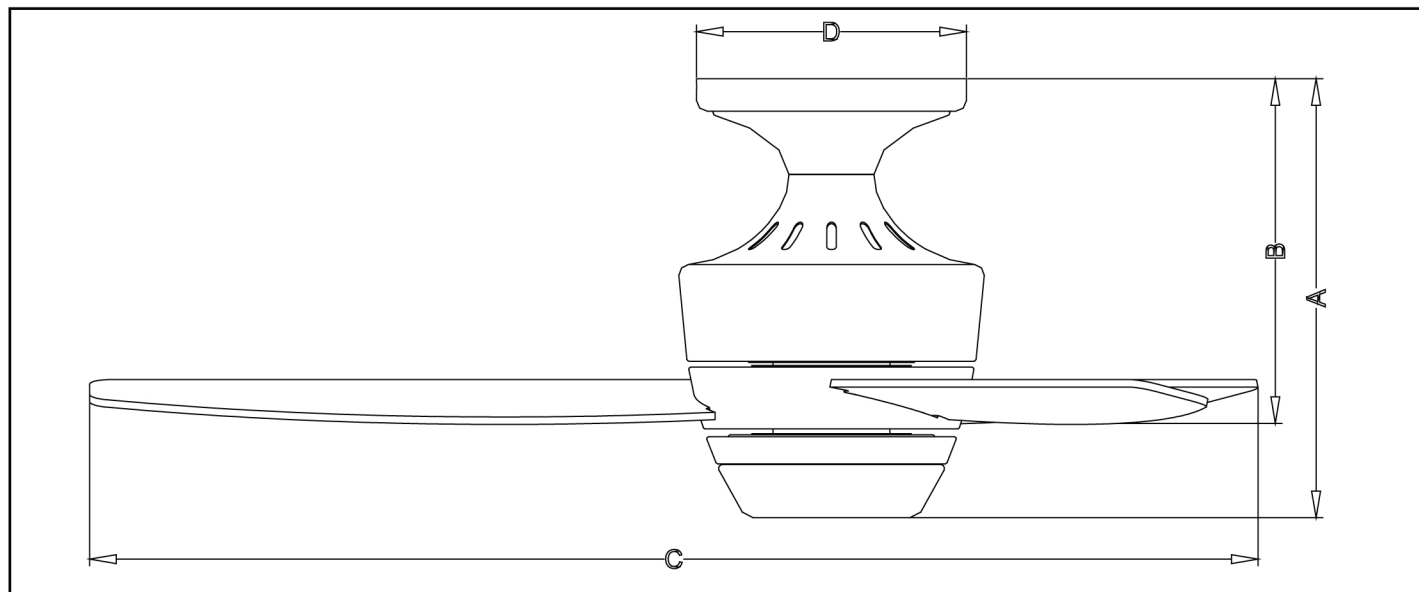
# Package Contents:



Unpack your fan and check the contents. You should have the following items.

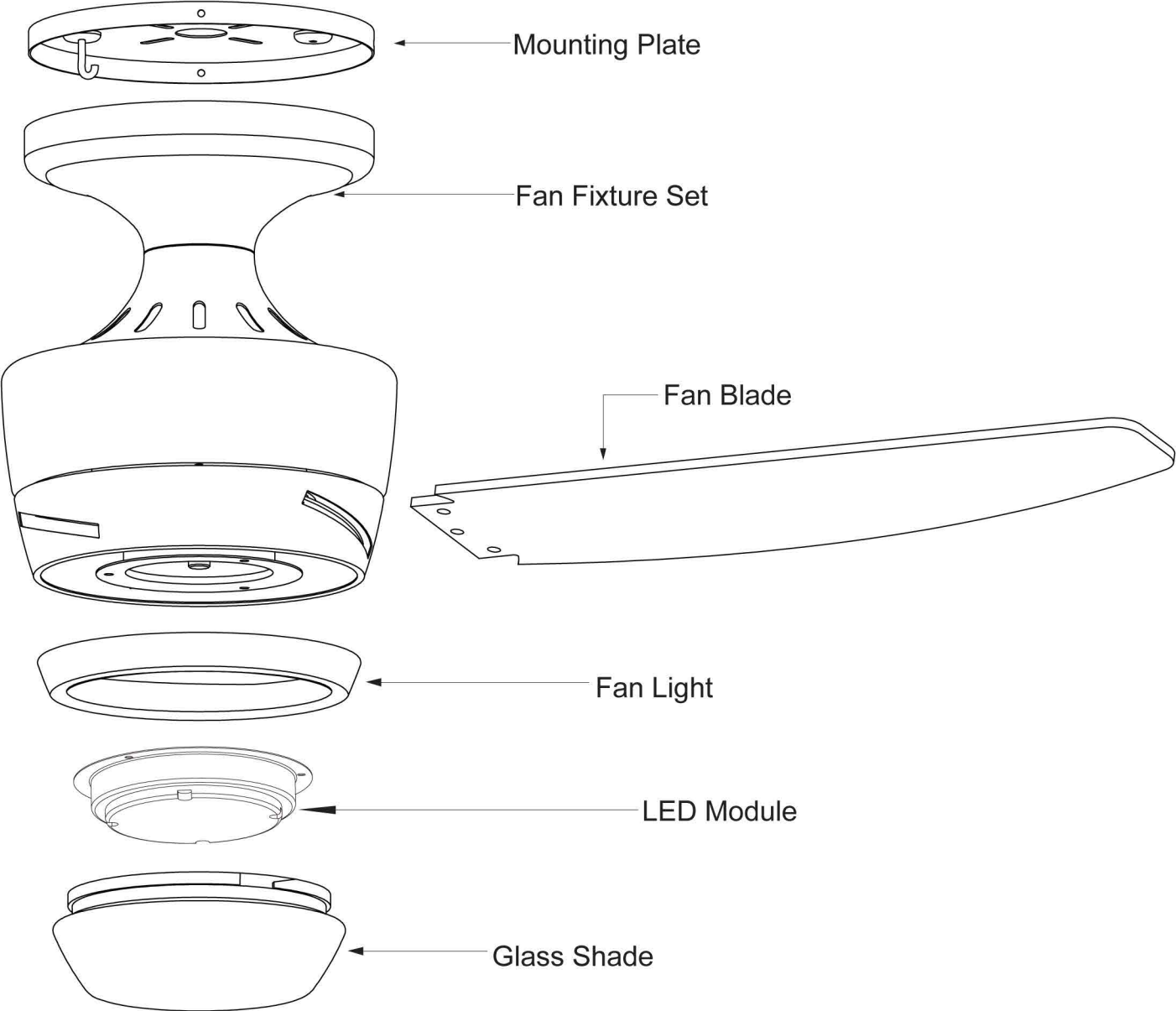
- 1.) Mounting plate
- 2.) Fan Fixture Set
- 3.) Fan Light
- 4.) Glass Shade
- 5.) Fan Blade (3 PCS)
- 6.) Assembly Kit
- 7.) 1-22W Built-in LED Module Included.
- 8.) Installation Instructions
- 9.) Remote Control Set (Includes Transmitter & Battery)

## Dimension Reference:



A. 13" B. 10-1/4" C. 44" D. 8"

# Exploded View Detail



# Safety Instructions

READ ALL SAFETY INFORMATION AND INSTALLATION INSTRUCTIONS BEFORE YOU BEGIN INSTALLING THE FAN AND SAVE INSTRUCTIONS.

- All set screws of the fan must be checked and retightened where necessary before installation.
- To reduce the risk of personal injury, do not bend the blade brackets when installing the brackets, balancing the blades or cleaning fan. Do not insert foreign objects in between rotating fan blades.
- Before changing the fan direction, turn off the fan and wait for the fan blades to stop completely.
- If a stationary appliance is not provided with a supply cord and a plug, or with other means for disconnection from the mains supply having a contact separation of at least 3 mm in all poles, that means for disconnection must be incorporated in the fixed wiring in accordance with the wiring rules.
- NOTE: The safeguards provided by these safety instructions and by the separate installation instructions are not meant to cover all possible conditions and situations that may occur. It must be understood that common sense, caution and care are factors which can not be built into this product. These factors must be supplied by the person(s) installing, caring for and operating the fan.

## WARNING

- TO AVOID RISK OF ELECTRIC SHOCK, BE SURE TO SHUT OFF POWER AT THE MAIN FUSE OR CIRCUIT BREAKER BOX BEFORE INSTALLING OR SERVICING THIS FIXTURE. TURNING OFF THE ELECTRICAL POWER BY USING THE LIGHT SWITCH IS NOT SUFFICIENT TO PREVENT ELECTRICAL SHOCK.
- TO REDUCE THE RISK OF INJURY, INSTALL THE FAN SO THAT THE BLADES ARE AT LEAST 7 FEET (2.1 METERS) ABOVE THE FLOOR AND AT LEAST 18 INCHES (0.5 METERS) FROM THE TIP OF THE BLADES TO THE WALL.
- TO REDUCE THE RISK OF FIRE, ELECTRIC SHOCK, OR PERSONAL INJURY, MOUNT TO OUTLET BOX MARKED "ACCEPTABLE FOR FAN SUPPORT" AND USE MOUNTING SCREWS PROVIDED WITH THE OUTLET BOX.
- THE INSTALLATION HAS TO BE IN ACCORDANCE WITH THE NATIONAL ELECTRICAL CODE, ANSI/NFPA 70-1999 AND LOCAL CODES. IF YOU ARE UNFAMILIAR WITH THE METHODS OF INSTALLING ELECTRICAL WIRING, SEEK THE SERVICES OF A QUALIFIED LICENSED ELECTRICIAN.
- TO REDUCE THE RISK OF FIRE OR ELECTRIC SHOCK, DON'T USE THIS FAN WITH ANY SOLID-STATE SPEED CONTROL DEVICE.

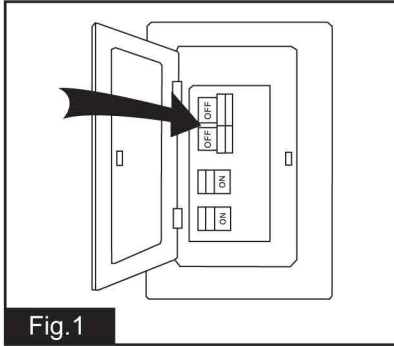
# INSTALLATION INSTRUCTIONS

## IMPORTANT:

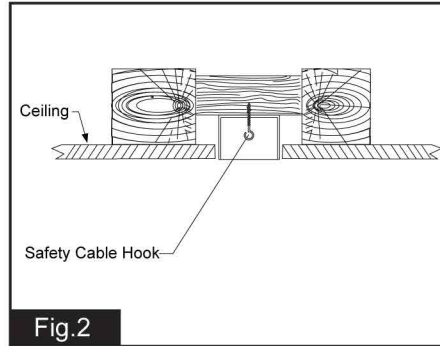
- BEFORE YOU BEGIN INSTALLING THE FAN, CAREFULLY READ ALL INFORMATION ON THE SEPARATE SHEET "SAFETY INSTRUCTIONS" AS WELL AS THE FOLLOWING "INSTALLATION INSTRUCTIONS". IF IN DOUBT, CONSULT A QUALIFIED ELECTRICIAN.
- SAVE ALL INSTRUCTIONS.

NOTE: The fan weight is 35lbs (15.9kg). Be sure the outlet box you are using is securely attached to the building structure and can support the full weight of the fan. Failure to do so can result in serious injury.

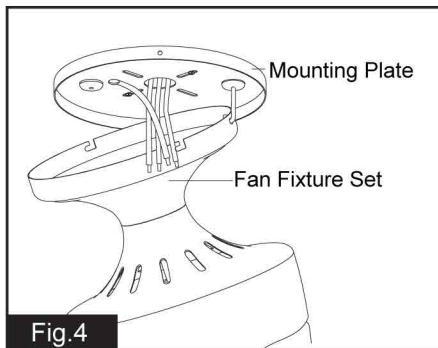
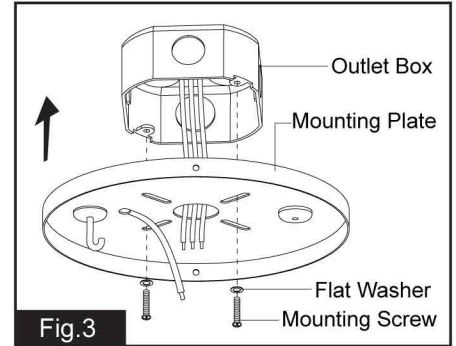
## Installation Steps :



Turn OFF the electric power at the main fuse or circuit breaker box.

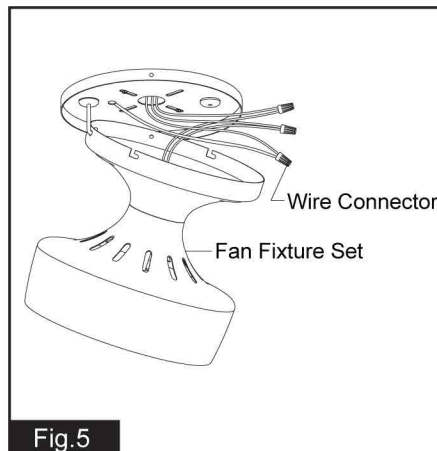


Screw the safety cable hook to the ceiling outlet box. Insert wires from the outlet box through the hole in center of mounting plate. Attach the mounting plate to the outlet box by using two flat washers and mounting screws.  
**WARNING: MOUNT ONLY TO AN OUTLET BOX MARKED "ACCEPTABLE FOR FAN SUPPORT OF 15.9KG(35LBS) OR LESS"!**

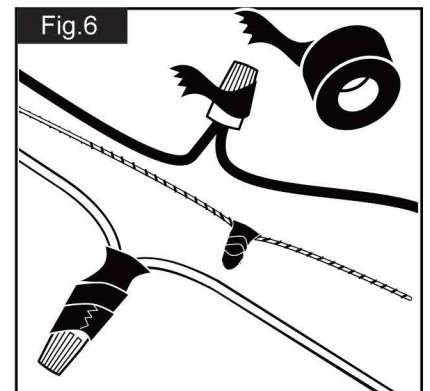


Left fan fixture set and hang on mounting plate with hook provided, through one of the two holes in canopy. This will allow for hands-free wiring.

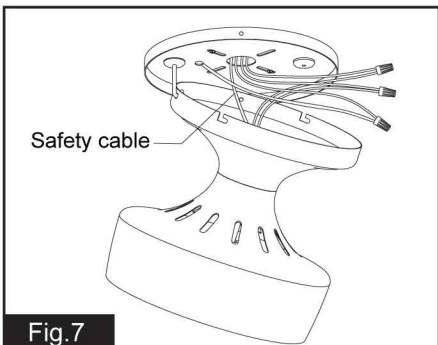
**CAUTION: Use only a side with hole in canopy, not hook slot.**



Make wire connections:  
1).The white motor wire to the white wire from the outlet box with a wire connector.  
2).The black motor wire to the black wire from the outlet box with a wire connector.  
3). The ground wire from the outlet box to the ground wire from the mounting plate with a wire connector.

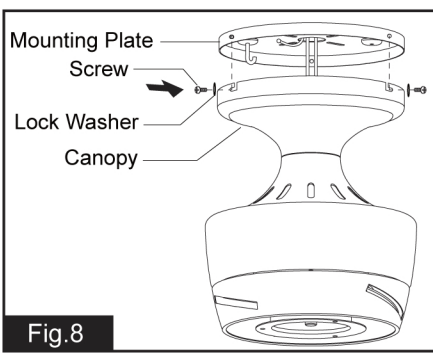


Twist wire ends together and screw wire connectors on in a clockwise direction. tape wire connectors and wire together. instructions that the splices after being made should be turned upward and pushed carefully up into the outlet box.

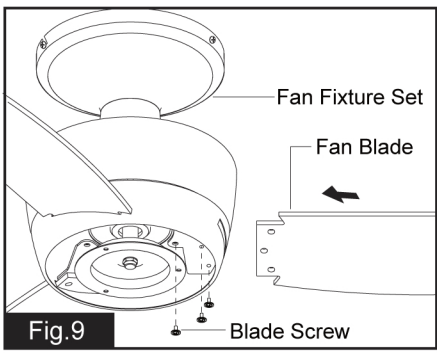


Hang the safety cable into the safety cable hook.

**BELLEVUE**



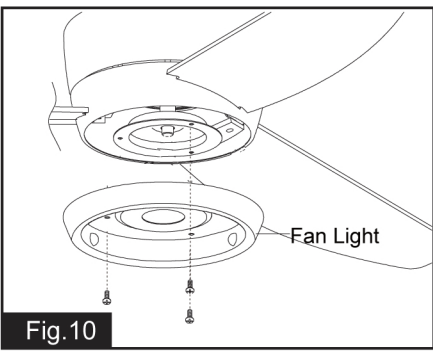
Position both slots on the canopy directly under and in line with two screws and lock washers in the mounting plate. Lift the canopy, allowing the two screws and lock washers to slide into the mating slots. Rotate the canopy counterclockwise until both screws from the mounting plate drop into the slot recesses. Tighten screws securely. Install the other two screws and lock washers into the mating holes of the mounting plate and tighten to secure the canopy to the mounting plate.



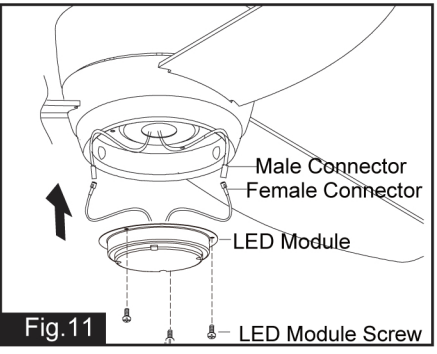
Insert the fan blade through the slot on the fan fixture set and fasten fan blade to the fan fixture set with screws. Repeat for remaining fan blades.

**Fan Light Installation:**

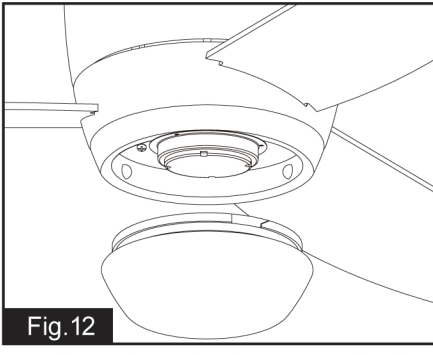
**WARNING:**  
As per EPACT 2005 requirements, this fan light has a built-in current limiting device in the receiver of remote control to conserve energy. The fan light will not be brighter when you press dimmer button if the combined wattage of the installed bulbs exceeds 190 Watts.



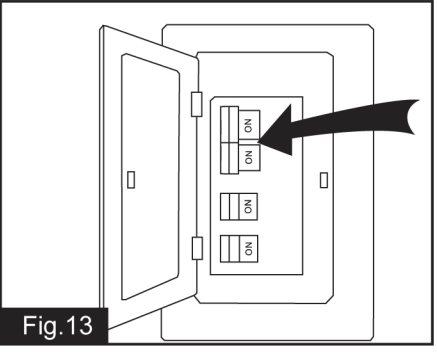
Install Fan Light.



Make wire connection. Plug the male connector from the motor into the female connector from the LED Module. Carefully put the wires into the switch box. Secure the LED Module up to the bottom of the motor with LED Module screws.



Install the glass shade by screwing it onto the central fan fixture. (Make sure the glass shade is securely attached, but DO NOT over tighten.)



Turn ON the electric power at the main fuse or circuit breaker box.

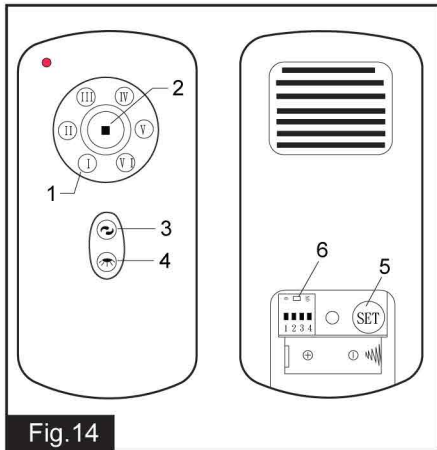


Fig. 14

### Remote control

Install one 12 volt battery (type 23AE included) to the remote control.

Buttons:

- 1- Fan speed control: controls the ceiling fan speed (I for the lowest speed, VI for the fastest speed)
- 2- Fan OFF: turns the fan off
- 3- Reverse function: controls fan direction
- 4- Lighting control: adjusts the intensity of the light (if applicable, depending on bulb).
- 5- CODE setting: using method as below

Step 1: Finish the installation of the ceiling fan.

Step 2: Turn the power on for the ceiling fan and within 60 seconds, press and hold SET button on back of remote control for 5 seconds. The light of the ceiling fan flashes twice when setup is completed.

Step 3: After setup is completed, switch to the desired speed. The fan will run on the highest and lowest speed first, and will then turn to the selected speed automatically.

6- Light setting: selects On/Off or Dimming function for light

<D> On/Off function without dimming (required for energy saving lamps [CFL]).

<ON> Dimming function enabled (for tungsten lamps; not compatible with energy saving lamps [CFL]).

Note: After changing the blades, the CODE setting has to be performed again.

Note: The receiver provides protection in the following two situations:

1- Lock protection: The receiver has a built-in protection against obstruction during operation. The motor will be locked and the power will be disconnected after 30 seconds of obstruction. Please remove obstacles before restarting. To reset, turn off the power supply to the fan motor, then restart.

2- Power surge protection: If the receiver detects a power consumption of the motor greater than 80W, the power supply will be interrupted and operation will immediately stop. To reset, turn off the power supply to the fan motor, then restart (after 5 seconds).

## Trouble Shooting Guide

If you have difficulty operating your new ceiling fan, it may be the result of incorrect assembly, installation or wiring. In some cases, these installation errors may be mistaken for defects. If you experience any faults, please check this Trouble Shooting Guide. If a problem cannot be remedied or you are experiencing difficulty in installation, please call our Customer Service Department.

<b>PROBLEM</b>	<b>SUGGESTED REMEDY</b>
1. If fan does not start:	<ol style="list-style-type: none"><li>1. Check main and branch circuit fuses or circuit breakers.</li><li>2. Check line wire connections to fan and switch wire connections in switch housing. CAUTION: Make sure main power is turned off.</li><li>3. Make sure forward/reverse switch is firmly in left or right position. Fan will not operate when switch is in the middle.</li><li>4. Make sure that the wall control is turned "ON".</li></ol>
2. If fan sounds noisy:	<ol style="list-style-type: none"><li>1. Make sure all screws in motor housing are snug. (not over tightened)</li><li>2. Make sure the screws which attach the fan bladeholder to the motor are tight.</li><li>3. Make sure wire connectors in switch housing are not rattling against each other or against the interior wall of the switch housing. CAUTION: Make sure main power is turned off before entering switch housing.</li><li>4. If using an optional ceiling fan light kit, check to be sure the screws securing the glassware are finger tight. Check to be sure light bulb is tight in socket and not touching glass shade(s). If vibration persists from glass, remove glass and install a 1/4 in. wide rubber band on glass neck to act as an insulator. Replace glass and tighten screws against rubber band.</li><li>5. Some fan motors are sensitive to signals from Solid State variable speed controls. DO NOT USE a Solid State variable speed control.</li><li>6. Allow "break-in" period of 24 hours. Most noises associated with a new fan will disappear after this period.</li></ol>
3. If fan wobbles:	<p>All blades are weighed and grouped by weight. Natural woods vary in density which could cause the fan to wobble even though all blades are weight-matched. The following procedures should eliminate most of the wobble. Check for wobble after each step.</p> <ol style="list-style-type: none"><li>1. Check that all blades are screwed firmly into blade holders.</li><li>2. Check that all blade holders are tightened securely to motor.</li><li>3. Make sure that canopy and mounting bracket are tightened securely to ceiling junction box and junction box is mounted firmly to ceiling joist.</li><li>4. Most fan wobble problems are caused when blades are not equally level. To check the blade levels, select a point on the ceiling above the tip of any blade. Measure the distance from the ceiling to the blade tip, to an accuracy of 1/8 inch. Rotate the blades until the next blade is in the measuring position. Repeat measurement for each blade. If all blade levels are not equal, you can adjust blade levels by the following procedure. To adjust a blade tip down, insert a washer (not supplied) between the blade and blade holder at the screw closest to the motor. To adjust a blade tip up, insert washer (not supplied) between the blade and blade holder at the two screws farthest from the motor.</li><li>5. If blade wobble is still noticeable, interchanging two adjacent (side by side) blades can redistribute the weight and possibly result in smoother operation.</li></ol>
4. If light does not work:	<ol style="list-style-type: none"><li>1. Check blue wire from fan to make sure it is connected to hot wire from house.</li><li>2. Check for loose or disconnected wires in fan switch housing.</li><li>3. Check for loose or disconnected wires in light kit.</li><li>4. Check for faulty light bulbs. CAUTION: Make sure main power is turned off before entering switch housing.</li></ol>