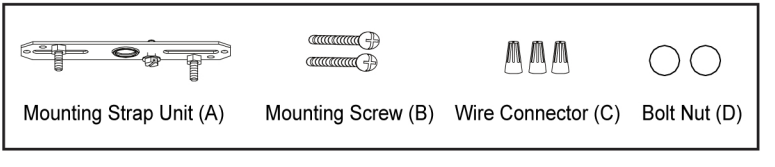


ASSEMBLY AND INSTALLATION INSTRUCTIONS

WARNING: TO AVOID RISK OF ELECTRICAL SHOCK, BE SURE TO SHUT OFF POWER WHILE INSTALLING OR SERVICING THIS FIXTURE.

NOTES: 1. Before installing, consult local electrical codes for wiring and grounding requirements.
2. READ AND SAVE THIS INSTRUCTIONS.

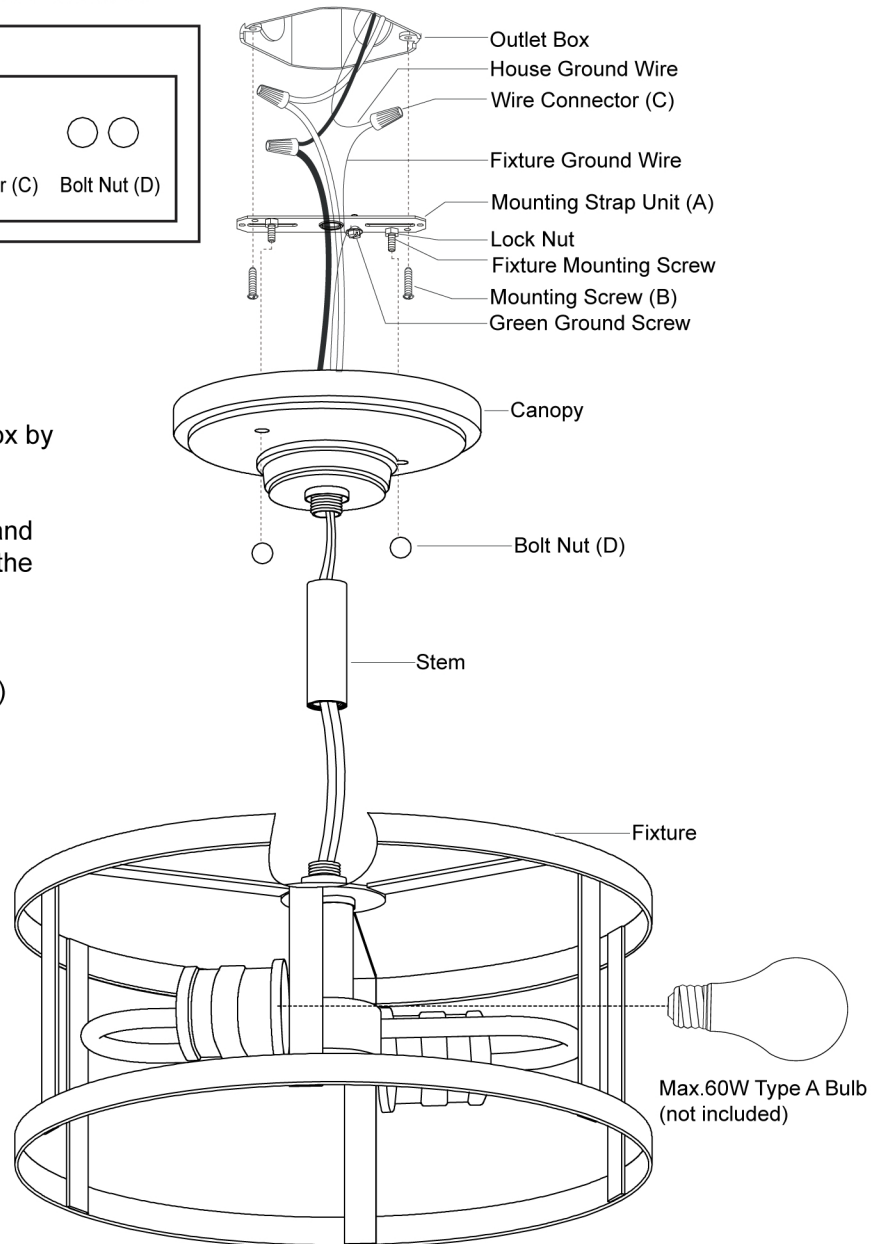
Hardware Package (included):



Installation Steps

Turn off the power at fuse or circuit box.

1. Attach the mounting strap unit (A) to the outlet box by using two mounting screws (B).
2. Thread the wires through the stem and canopy, and then connect the fixture and canopy through by the stem.
3. Pull out the source wires from the outlet box. Make wire connections using wire connectors (C) as follows:
 - Connect the hot wire (black insulation) from the fixture to the black wire from the power source.
 - Connect the neutral wire (white insulation) from the fixture to the white wire from the power source.
 - Attach the fixture grounding wire (bare wire) to the mounting strap unit (A) with the green ground screw, and then connect it to house ground wire with the wire connector (C).Carefully put the wires back into the outlet box.
4. Attach the canopy to the mounting strap unit (A) by inserting the fixture mounting screws, then secure it with two bolt nuts (D).
5. Install 3 x 60W max. medium base bulbs (not included). See relamping label at socket area or packaging for maximum wattage allowed.



Turn on the power at fuse or circuit box.

The following parts are available for re-order if damaged or missing.

Spare Parts List:

