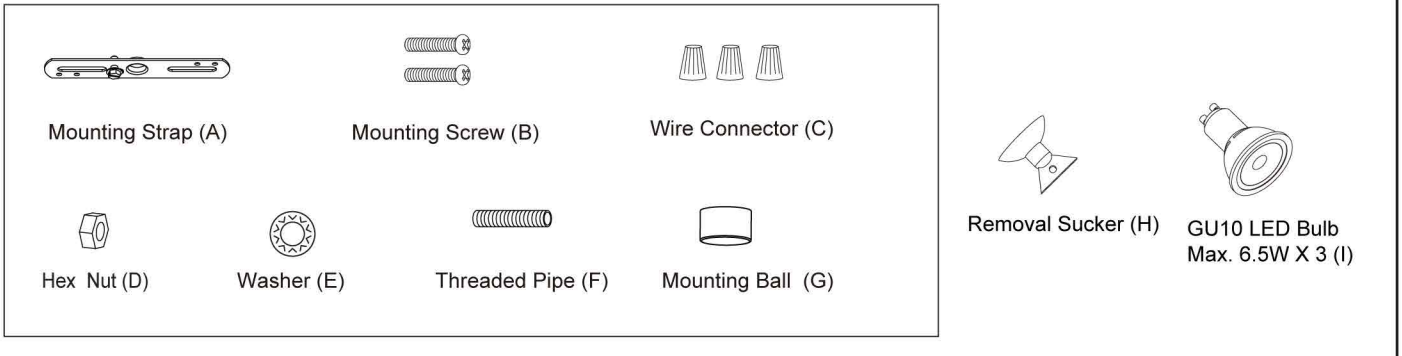


ASSEMBLY AND INSTALLATION INSTRUCTIONS

WARNING: TO AVOID RISK OF ELECTRICAL SHOCK, BE SURE TO SHUT OFF POWER BEFORE INSTALLING OR SERVICING THIS FIXTURE.

NOTES: 1. Before installing, consult local electrical codes for wiring and grounding requirements.
2. READ AND SAVE THESE INSTRUCTIONS.

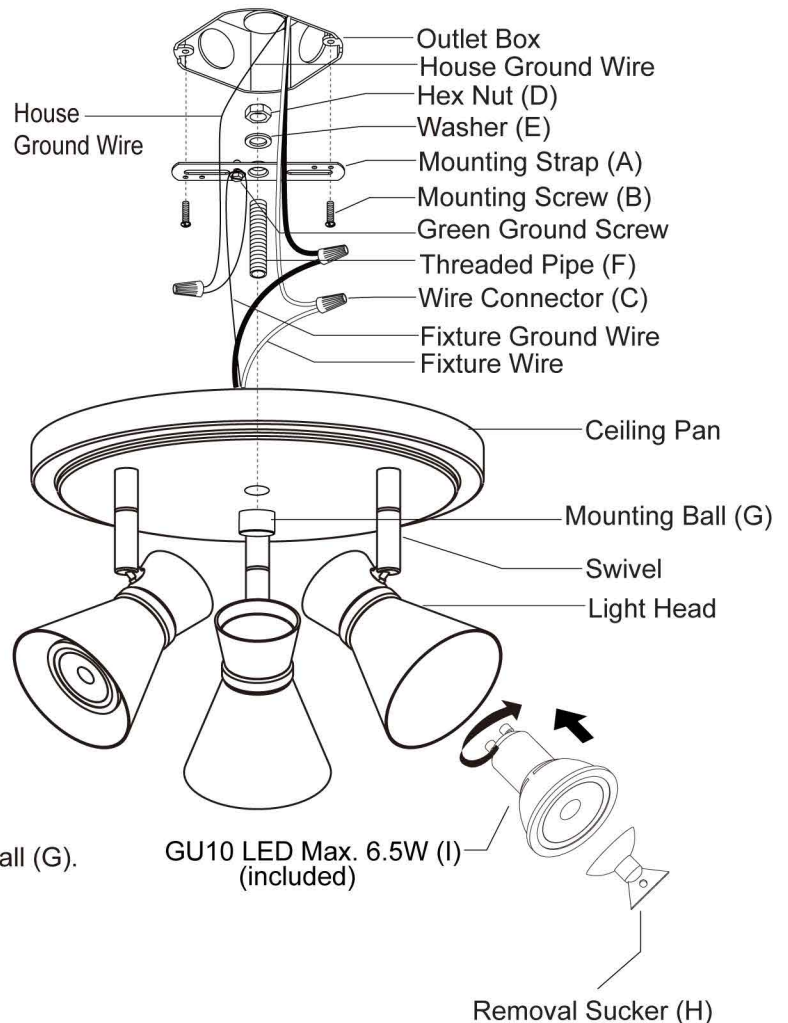
Hardware Package (included):



Installation Steps

Turn off the power at fuse or circuit box

1. Attach the threaded pipe (f) through the mounting strap (A), and then secure it with a washer (E) and hex nut (D), then tighten them.
2. Attach the mounting strap (A) to the outlet box by inserting two mounting screws (B) in both side of mounting strap (A) and tighten the screws.
3. Pull out the source wires from the outlet box. Make wire connections using wire connectors (C) as follows:
 - Connect the black (hot) wire from the fixture to the black (hot) wire from the power source.
 - Connect the white (neutral) wire from the fixture to the white (neutral) wire from the power source.
 - Attach the fixture ground wire to the mounting strap (A) with the green ground screw, then connect it to the house ground wire with a wire connector (C).
 Carefully put the wires back into the outlet box.
4. Attach the ceiling pan to the mounting strap (A) by inserting threaded pipe (F) through the center hole of the ceiling pan, and then secure it with mounting ball (G).



BELLEVUE

5. Attach the removal sucker (H) to the top surface of the bulb lens. Insert the bulb (I) into the socket using the removal sucker (H). Twist bulb to lock pins in place. Remove the removal sucker (H) from the bulb lens by pulling the knob of the removal sucker (H).

Caution: LED Bulb, Type MR GU10 base, maximum 25W X 3

Halogen Bulb, Type MR GU10 base, maximum 50W X 3

Notes: LED Dimmable bulb to be compatible with most LED Dimmers, recommended Lutron: MSCL-OP153MH, MACL-153MH, DVWCL-153PH, TGCL-153PH, SCL-153PH.


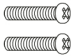







6. Follow step 5 of instructions of single light head installation for other two light heads.

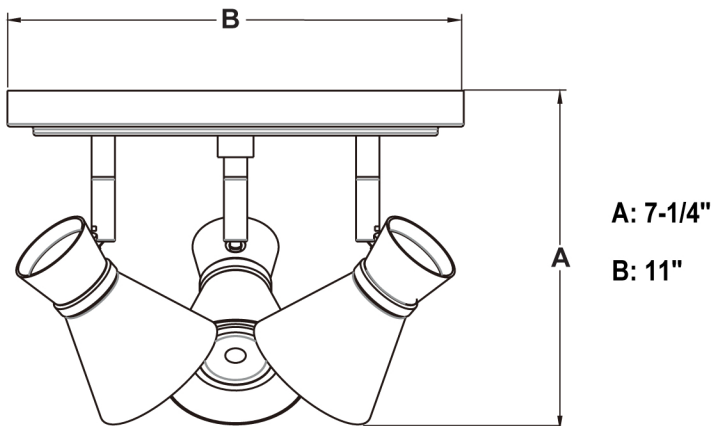
7. Adjust the light head to a desired position by using the swivel.

Turn on the power at fuse or circuit box

The following parts are available for re-order if damaged or missing.

Spare Parts List:

| | | | | | |
|---|---|---|---|---------------------------------|---|
|  |  |  |  | → Assembly Kit 6622MM (1SET) |  |
| Mounting Strap (A) | Mounting Screw (B) | Wire Connector (C) | Hex Nut (D) | | Removal Sucker (H) 6070CP |
|  |  |  | | |  |
| Washer (E) | Threaded Pipe (F) | Mounting Ball (G) | | | GU10 LED Bulb Max. 6.5W (I) 8104LED |



1 Year Warranty