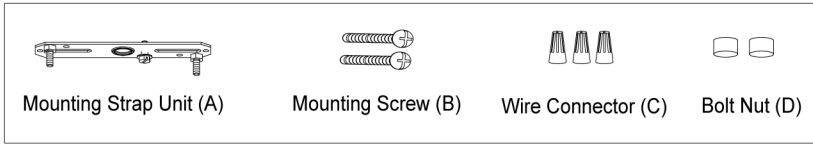


ASSEMBLY AND INSTALLATION INSTRUCTIONS

WARNING: TO AVOID RISK OF ELECTRICAL SHOCK, BE SURE TO SHUT OFF POWER WHILE INSTALLING OR SERVICING THIS FIXTURE.

NOTES: 1. Before installing, consult local electrical codes for wiring and grounding requirements.
2. READ AND SAVE THIS INSTRUCTION.

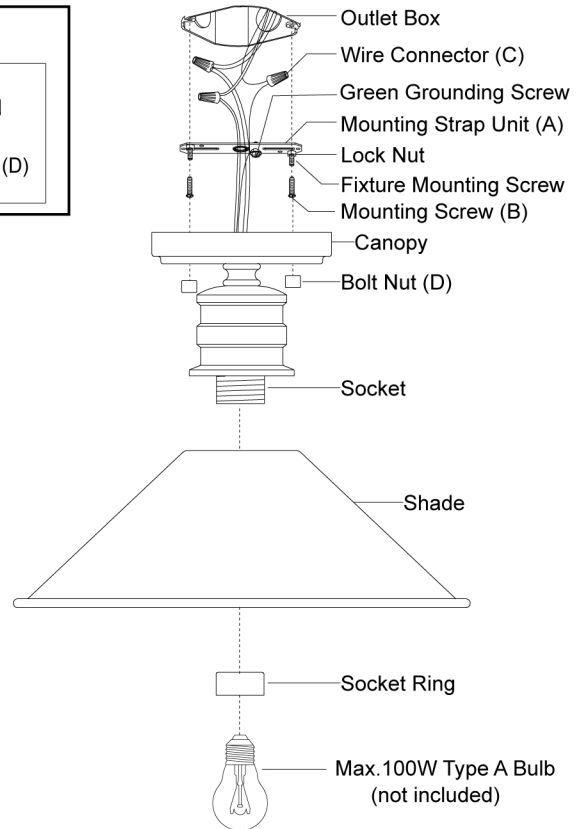
Hardware Package (included):



Installation Steps

Turn off the power at fuse or circuit box.

1. Attach the mounting strap unit (A) to the outlet box by using two mounting screws (B).
2. Pull out the source wires from the outlet box. Make wire connections using wire connectors (C) as follows:
 - Connect the hot wire (black insulation) from the fixture to the black wire from the power source.
 - Connect the neutral wire (white insulation) from the fixture to the white wire from the power source.
 - Attach the fixture ground wire (bare wire) to the mounting strap unit (A) with the green ground screw. Then, depending on local code, connect it to the house ground wire with a wire connector (C). Carefully put all of the wires back into the outlet box.
3. Attach the canopy to the mounting strap unit (A) by inserting two fixture mounting screws, then secure it with two bolt nuts (D).
4. Attach the shade to fixture, then secure it with the socket ring.
5. Install a bulb (not included). Check relamping label at socket area or packaging for maximum wattage allowed.



Turn on the power at fuse or circuit box.

The following parts are available for re-order if damaged or missing.

Spare Parts List:



Mounting Strap Unit (A)



Mounting Screw (B)



Wire Connector (C)



Bolt Nut (D)



Assembly Kit
6431MM (1 SET)



Socket Ring
5906SR

