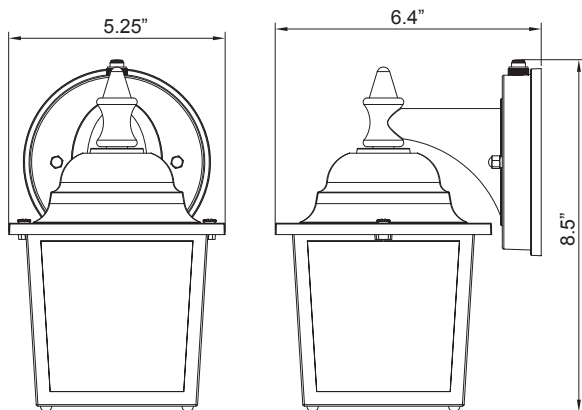


Models: P003PS-E26-BLK, P003PS-E26-WHT
 P003PS-E26-GLV, P003PS-E26-RBZ
 P0031PS-E26-BLK, P0031PS-E26-RST
 P0032PS-E26-BLK, P0032PS-E26-SMK
 P0032PC-E26-WHT

Dimensions



Specifications

Power Specs	
Input Voltage	120VAC
Frequency	60Hz

This fixture has been manufactured in accordance to ETL and UL requirements



DUSK TO DAWN (PHOTOCELL) FEATURE

This fixture is equipped with a Dusk to Dawn (D2D) photocell component. When fixture is turned on at the switch, the photocell will automatically start working, the light will stay on if dark outside. It will automatically turn off during daylight. To test the function of your D2D sensor and light after installation, turn the light switch off, then on quickly. This will turn the fixture light on until the D2D senses daylight and then will turn off automatically. By leaving the light switch on, the fixture will automatically turn on in the evening and back off again in the morning.

IMPORTANT SAFETY INFORMATION



This product may represent a possible shock or hazard if improperly installed or attached in any way. Product should be installed in accordance with the owners manual, current electrical codes and the National Electric Code (NEC).
RISK OF ELECTRIC SHOCK: TURN OFF THE MAIN POWER AT THE CIRCUIT BREAKER BEFORE INSTALLING.

WARNING: RISK OF SHOCK - ALWAYS REMEMBER TO:

- Turn off power at fuse or circuit breaker BEFORE installing fixture.
- GROUND the fixture to avoid electric shock and ensure safe operation.
- DOUBLE CHECK all connections to make sure they are safe and tight.
- Wear rubber soled shoes and work on a grounded ladder.

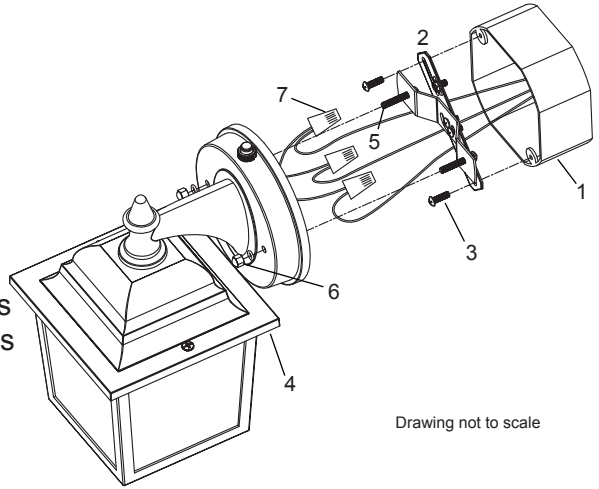
If you are unsure about your wiring, consult a qualified electrician for installation of fixture.

WARNING: RISK OF CUTS

Some metal parts or edges may have sharp edges. Prevent injury by using gloves when handling.

ACCOUNT FOR SMALL PARTS and DESTROY PACKING MATERIAL that may be hazardous to children.

- 1 - Junction Box (not included)
- 2 - Mounting Bracket - 1 Pc.
- 3 - Junction Box Screws - 2 pcs
- 4 - Fixture
- 5 - Fixture Mount Screws - 2 pcs
- 6 - Fixture Mounting Nuts - 2 pcs
- 7 - Wire Nuts - 3 pcs



Drawing not to scale

Installation

1. **TURN POWER OFF.** Turn power off at circuit breaker or remove the correct fuse.
2. **PREPARE MOUNTING BRACKET.** Thread the Fixture Mount Screws (5) into the Mounting Bracket (2).
3. **MOUNT MOUNTING BRACKET.** Mount Mounting Bracket (2) to Junction Box (1) by inserting the two Junction Box Screws (3) through the slots in Mounting Bracket (2).
4. **CONNECT FIXTURE.** Hold the Fixture (4) close to the Junction Box (1). Using Wire Nuts (7) provided, connect bare copper wire from fixture to green or bare copper ground (house) wire. If outlet box is grounded you may fasten fixture ground wire directly to junction box. Connect white fixture wire(s) to neutral supply wire. Connect black fixture wire(s) to power supply wire.
5. **MOUNT FIXTURE.** Insert Fixture (4) onto Fixture Mount Screws (5) and secure to Mounting Bracket by hand tightening Fixture Mounting Nuts (6). Hand tighten only!
6. **TURN POWER ON.** Turn power on at circuit breaker or replace fuse.

DUSK TO DAWN (PHOTOCELL) FEATURE

This fixture is equipped with a Dusk to Dawn (D2D) photocell component. When fixture is turned on at the switch, the photocell will automatically start working, the light will stay on if dark outside. It will automatically turn off during daylight. To test the function of your D2D sensor and light after installation, turn the light switch off, then on quickly. This will turn the fixture light on until the D2D senses daylight and then will turn off automatically. By leaving the light switch on, the fixture will automatically turn on in the evening and back off again in the morning.