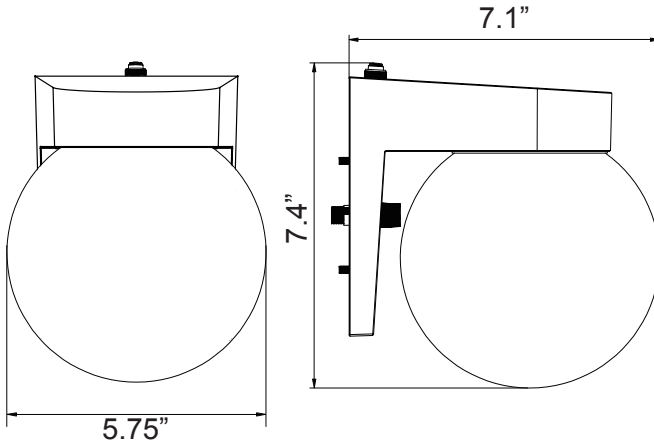


CORAMDEO LIGHTING

LED OUTDOOR LIGHTING

Models: W028P-83050LED-BK
W028P-83050LED-WT

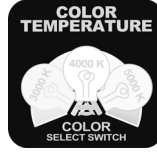
Dimensions



Specifications

Power Specs	
Input Voltage	120VAC
Frequency	60Hz
Input Current	<180 mA
Power	13.5 W
Efficiency	>85
Power Factor	≤ .9
Light Specs	
Color Temp CCT	3K, 4K, 5K
Color Temp	3K Warm White
	4K Bright White
	5K Daylight White
Lumens (lm)	850 lm
CRI (Ra)	>80
Lumens per Watt	63
Beam Angle	115°
Life Span	50,000 hrs

Functions



Choose your preferred color temperature between 3K (Warm White), 4K (Bright White) and 5K (Daylight White) with switch installed on backplate of this fixture.

DUSK TO DAWN (PHOTOCELL) FEATURE

This fixture is equipped with a Dusk to Dawn (D2D) photocell component. When fixture is turned on at the switch, the photocell will automatically start working, the light will stay on if dark outside. It will automatically turn off during daylight. To test the function of your D2D sensor and light after installation, turn the light switch off, then on quickly. This will turn the fixture light on until the D2D senses daylight and then will turn off automatically. By leaving the light switch on, the fixture will automatically turn on in the evening and back off again in the morning.

Certifications



This fixture has been manufactured in accordance to ETL and UL requirements

This device complies with part 15 of the FCC Rules. Operation is subject to the following two conditions: (1) This device may not cause harmful interference, and (2) this device must accept any interference received, including interference that may cause undesired operation. Note: This equipment has been tested and found to comply with the limits for a Class B digital device, pursuant to part 15 of the FCC Rules. These limits are designed to provide reasonable protection against harmful interference in a residential installation. This equipment generates, uses and can radiate radio frequency energy and, if not installed and used in accordance with the instructions, may cause harmful interference to radio communications. However, there is no guarantee that interference will not occur in a particular installation. If this equipment does cause harmful interference to radio or television reception, which can be determined by turning the equipment off and on, the user is encouraged to try to correct the interference by one or more of the following measures: Reorient or relocate the receiving antenna; Increase the separation between the equipment and receiver; Connect the equipment into an outlet on a circuit different from that to which the receiver is connected. Consult the dealer or an experienced radio/TV technician for help.

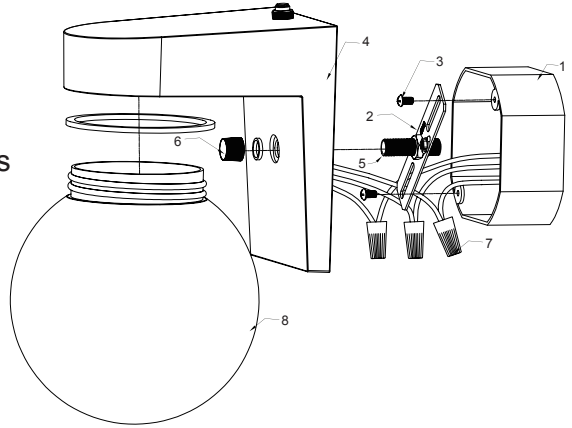
CORAMDEO LIGHTING

12891 Wetmore Rd.
San Antonio, TX 78247
www.coramdeolighting.com

CORAMDEO LIGHTING

LED OUTDOOR LIGHTING

- 1 - Junction Box (not included)
- 2 - Cross Bar - 1 Pc.
- 3 - Junction Box Screws - 2 pcs
- 4 - Fixture
- 5 - Threaded Mounting Stem
- 6 - Fixture Mounting Nut
- 7 - Wire Nuts - 3 pcs
- 8 - Acrylic Globe



Installation

1. **TURN POWER OFF.** Turn power off at circuit breaker or remove the correct fuse.
2. **PREPARE CROSS BAR.** Screw in the Fixture Mounting Stem (5) into the Cross Bar (2).
3. **MOUNT CROSS BAR.** Mount Cross Bar (2) to Junction Box (1) by inserting the two Mounting Screws (3) through the slots in Cross Bar (2).
4. **CONNECT FIXTURE.** Hold the Fixture (4) close to the Junction Box (1). Using Wire Nuts (7) provided, connect bare copper wire from fixture to green or bare copper ground (house) wire. If outlet box is grounded you may fasten fixture ground wire directly to junction box. Connect white fixture wire(s) to neutral supply wire. Connect black fixture wire(s) to power supply wire.
5. **MOUNT FIXTURE.** Insert Threaded Mounting Stem (5) through Fixture (4) and secure to Cross Bar (2) by hand tightening Fixture Mounting Nut (6). Hand tighten only!
6. **MOUNT ACRYLIC CYLINDER.** Attach by threading Globe (8) onto Fixture (4).
7. **TURN POWER ON.** Turn power on at circuit breaker or replace fuse.

IMPORTANT SAFETY INFORMATION



This product may represent a possible shock or hazard if improperly installed or attached in any way. Product should be installed in accordance with the owners manual, current electrical codes and the National Electric Code (NEC).

RISK OF ELECTRIC SHOCK: TURN OFF THE MAIN POWER AT THE CIRCUIT BREAKER BEFORE INSTALLING

WARNING: RISK OF SHOCK - ALWAYS REMEMBER TO:

- A. Turn off power at fuse or circuit breaker **BEFORE** installing fixture.
- B. GROUND the fixture to avoid electric shock and ensure safe operation.
- C. **DOUBLE CHECK** all connections to make sure they are safe and tight.
- D. Wear rubber soled shoes and work on a grounded ladder.

If you are unsure about your wiring, consult a qualified electrician for installation of fixture.

WARNING: RISK OF CUTS

Some metal parts or edges may have sharp edges. Prevent injury by using gloves when handling.

ACCOUNT FOR SMALL PARTS and DESTROY PACKING MATERIAL that may be hazardous to children.