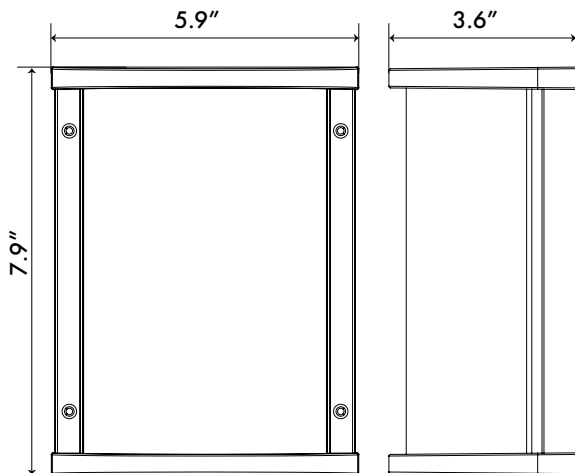


Models: W035-830LED-PNK

Dimensions



Specifications

Power Specs	
Input Voltage	120VAC
Frequency	60Hz
Input Current	<100 mA
Power	12.5 W
Efficiency	>85
Power Factor	≤ .9

Light Specs	
Color Temp CCT	3000 K
Color Temp	Warm White
Lumens (lm)	950 lm
CRI (Ra)	>80
Lumens per Watt	72
Beam Angle	115 °
Life Span	50,000 hrs

Functions



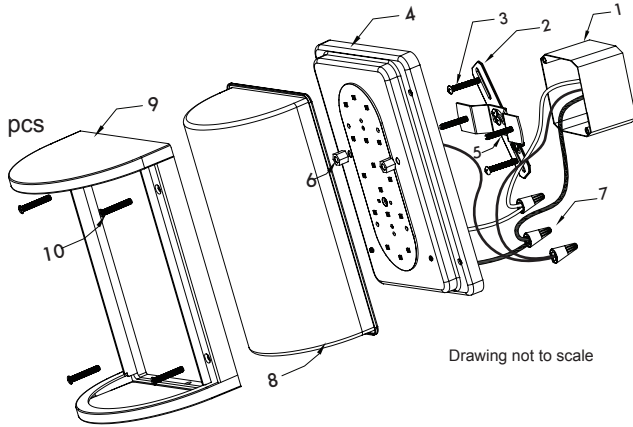
Certifications



12881 Wetmore Rd.
San Antonio, TX 78247
www.solanalighting.com

This device complies with part 15 of the FCC Rules. Operation is subject to the following two conditions: (1) This device may not cause harmful interference, and (2) this device must accept any interference received, including interference that may cause undesired operation. Note: This equipment has been tested and found to comply with the limits for a Class B digital device, pursuant to part 15 of the FCC Rules. These limits are designed to provide reasonable protection against harmful interference in a residential installation. This equipment generates, uses and can radiate radio frequency energy and, if not installed and used in accordance with the instructions, may cause harmful interference to radio communications. However, there is no guarantee that interference will not occur in a particular installation. If this equipment does cause harmful interference to radio or television reception, which can be determined by turning the equipment off and on, the user is encouraged to try to correct the interference by one or more of the following measures: Reorient or relocate the receiving antenna; Increase the separation between the equipment and receiver; Connect the equipment into an outlet on a circuit different from that to which the receiver is connected. Consult the dealer or an experienced radio/TV technician for help.

1. Junction Box (not included)
2. Cross Bar - 1 pc
3. Junction Box Mounting Screws - 2 pcs
4. Fixture Body
5. Fixture Mounting Screws - 2 pcs
6. Fixture Mount Nuts - 2 pcs
7. Wire Nut - 3 pcs
8. Fixture Lens
9. Lens Housing
10. Housing Screws - 4 pcs



Installation

1. **TURN POWER OFF.** Turn power off at circuit breaker or remove the correct fuse.
2. **PREPARE CROSS BAR.** Thread the Fixture Mounting Screws (5) into the Cross Bar (2).
3. **MOUNT CROSS BAR.** Mount Cross Bar (2) to Junction Box (1) by inserting the two Mounting Screws (3) through the slots in Cross Bar.
4. **CONNECT FIXTURE.** Hold the Fixture (4) close to the Junction Box(1). Using Wire Nuts (7) provided, connect bare copper wire from fixture to green or bare copper ground (house) wire. If outlet box is grounded you may fasten fixture ground wire directly to junction box. Connect white fixture wire(s) to neutral supply wire. Connect black fixture wire(s) to power supply wire.
5. **MOUNT FIXTURE.** Insert Fixture Mounting Screws (5) through Fixture (4) and secure to Cross Bar (2) by hand tightening Fixture Mounting Nut (6). Hand tighten only!
6. **MOUNT Glass Lens and Housing.** Mount Glass Lens (8) and Lens Housing (9) together to Fixture with Housing Screws (10).
7. **TURN POWER ON.** Turn power on at circuit breaker or replace fuse.

IMPORTANT SAFETY INFORMATION



This product may represent a possible shock or hazard if improperly installed or attached in any way. Product should be installed in accordance with the owners manual, current electrical codes and the National Electric Code (NEC).

RISK OF ELECTRIC SHOCK: TURN OFF THE MAIN POWER AT THE CIRCUIT BREAKER BEFORE INSTALLING

WARNING: RISK OF SHOCK - ALWAYS REMEMBER TO:

- A. Turn off power at fuse or circuit breaker BEFORE installing fixture.
- B. GROUND the fixture to avoid electric shock and ensure safe operation.
- C. DOUBLE CHECK all connections to make sure they are safe and tight.
- D. Wear rubber soled shoes and work on a grounded ladder.

If you are unsure about your wiring, consult a qualified electrician for installation of fixture.

WARNING: RISK OF CUTS

Some metal parts or edges may have sharp edges. Prevent injury by using gloves when handling.

ACCOUNT FOR SMALL PARTS and DESTROY PACKING MATERIAL that may be hazardous to children.