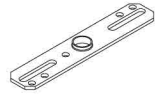


ASSEMBLY AND INSTALLATION INSTRUCTIONS

WARNING: TO AVOID RISK OF ELECTRICAL SHOCK, BE SURE TO SHUT OFF POWER BEFORE INSTALLING OR SERVICING THIS FIXTURE.

NOTE: 1. Before installing, consult local electrical codes for wiring and grounding requirements.
2. READ AND SAVE THIS INSTRUCTION.

Hardware Package (included):



Mounting Strap (A)



Mounting Screw (B)



Wire Connector (C)



Fixture Mounting Screw (D)



Green Ground Screw (E)



Lock Nut (F)



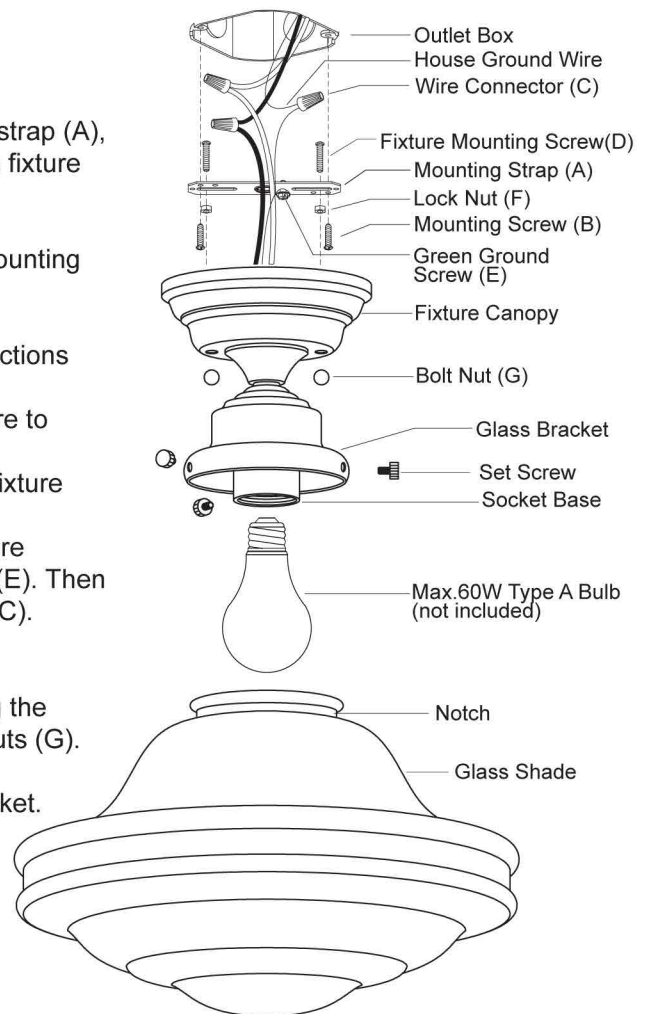
Bolt Nut (G)

Installation Steps

Turn off the power at fuse or circuit box

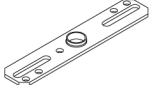
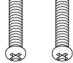






1. Thread two fixture mounting screws (D) through the mounting strap (A), and then secure with two lock nuts (F). Adjust the length of the fixture mounting screws (D) if necessary.
2. Attach the mounting strap (A) to the outlet box by using two mounting screws (B).
3. Pull out the source wires from the outlet box. Make wire connections using wire connectors (C) as follows:
 - Connect the hot wire (usually black insulation) from the fixture to the black wire from the power source.
 - Connect the neutral wire (usually white insulation) from the fixture to the white wire from the power source.
 - Attach the fixture ground wire (usually green insulation or bare wire) to the mounting strap (A) with the green ground screw (E). Then connect it to the house ground wire with the wire connector (C). Carefully put the wires back into the outlet box.
4. Attach the fixture canopy to the mounting strap (A) by inserting the fixture mounting screws (D), and then secure it with two bolt nuts (G).
5. Install 1x60W Max medium base bulb (not included) to the socket. Check relamping label at socket area or packaging for maximum allowed wattage.
6. Attach the glass shade to the glass bracket by threading set screws onto the glass notches. (Do not over tighten.)

Turn on the power at fuse or circuit box

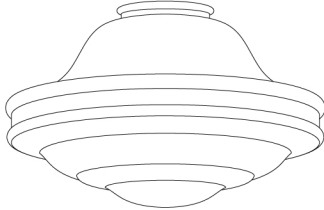


The following parts are available for re-order if damaged or missing.

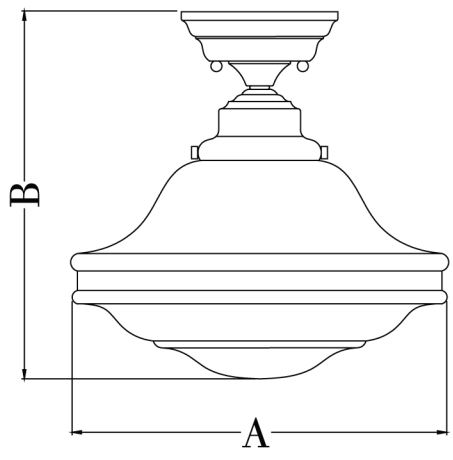
Spare Parts List:

 Mounting Strap (A)	 Mounting Screw (B)	 Wire Connector (C)	 Fixture Mounting Screw (D)
 Green Ground Screw (E)	 Lock Nut (F)	 Bolt Nut (G)	 Set Screw 6488FS

Assembly Kit
6484MM (1 SET)



Glass Shade
10282CS



A: 12"
B: 11-3/4"