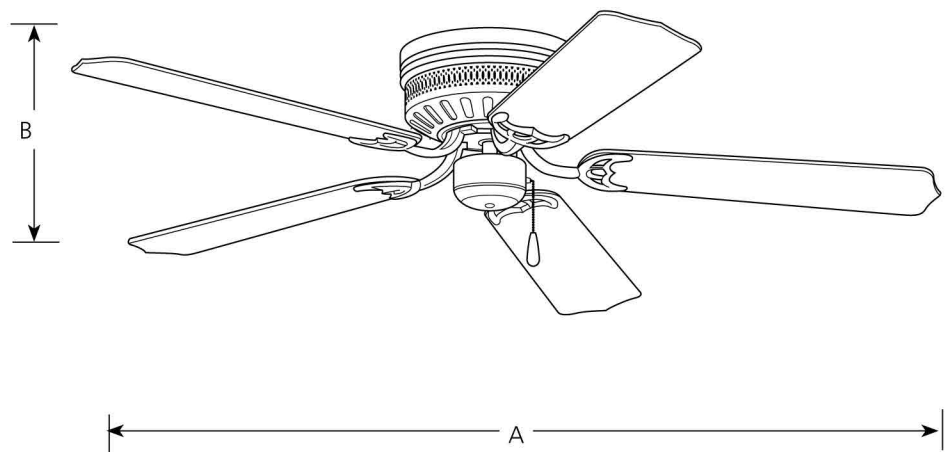


Catalog No.	Finish/Blades		Dimensions (Inches)	
	Brushed Nickel	White	A	B
	P2525	-09 Cherry/Natural Cherry blades	-30 White blades	52



Specifications:

General

- 15 year limited warranty
- Plated Brushed Nickel (-09) finish
- Painted White (-30) finish
- Compatible with universal light kits.
- Hugger style housing

Blades

- Five blades
- 11 degree pitch
- MDF blade material

Motor

- Triple capacitor speed control; manual reverse control
- 153mm dia. x 13mm high

Mounting

- Ceiling flush mount
- Unit covers a standard 4" hexagonal recessed outlet box Note: An outlet box assembly designed for fan installation is required (not included)
- Mounting hardware for outlet box included

Electrical

- Pre-wired
- Hugger fan cannot be operated with a remote control. Use P2613-30, P2619-30 pr P2630-30 for speed/light control.

Labeling

- UL Dry location listed

ENERGY INFORMATION AT HIGH SPEED

AIRFLOW: 3229 CFM cubic feet per minute

ELECTRICITY USE: 56 watts (excludes lights)

AIRFLOW EFFICIENCY: 58 cubic feet per minute per watt

ENERGYGUIDE
 Estimated Yearly Energy Cost **\$10.2**
 Airflow **2403** Cubic Feet Per Minute
 Cost Range of Similar Models (\$3 - \$34)
 Based on 12 cents per kWh and 6.4 hours use per day
 Your cost depends on rates and use
 Energy Use: 36 Watts
 ftc.gov/energy

Fan mounted as close-to-ceiling.