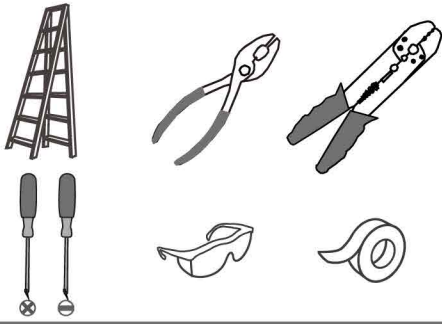
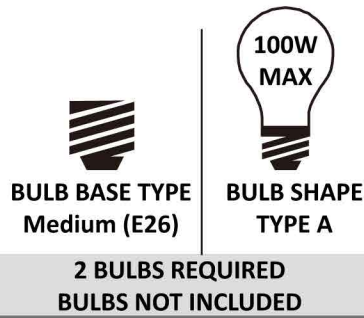


### Tools Required



### Light Source



### Warnings and Cautions

Turn off the electricity at the circuit breaker before installation. Consult a licensed electrician if in doubt about installation.

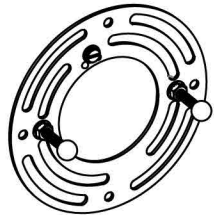
Turn off power to the fixture and allow the bulbs to cool before replacing.

### Package Contents

**Preparation:** Identify and inspect all parts before beginning the installation.

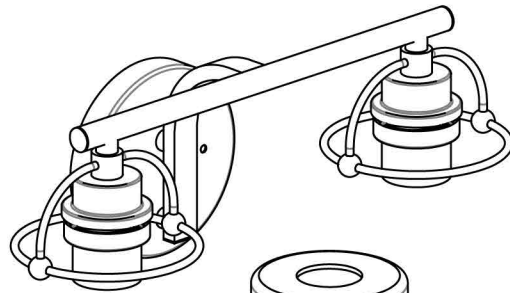
**Missing or damaged parts?** Contact your original place of purchase.

#### PARTS BAG

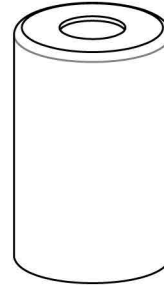


**A** Crossbar Assembly  
x 1

- B** Alternate Mounting Screw x 2
- C** Outlet Box Screw x 2
- D** Wire Connector x 3



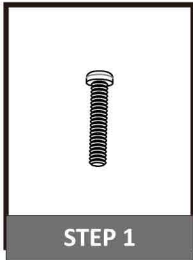
**E** Fixture Body  
x 1



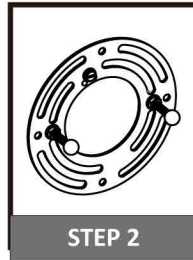
**F** Glass Shade  
x 2

### Table of Contents

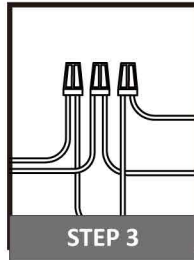
#### Alternate Mounting Screw



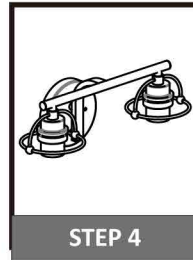
#### Crossbar Assembly



#### Wiring



#### Fixture Body



#### Glass Shade & Bulb



# STEP 1

OPTION 1

Mounting Screw



Included (Pre-assembled)

OPTION 2

Alternate Mounting Screw



Included

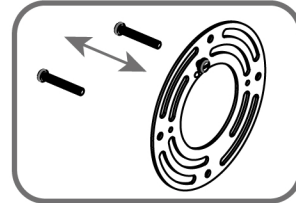
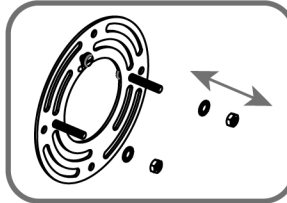
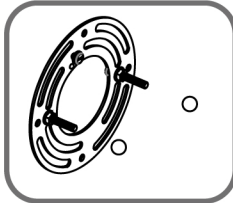
Skip to next step

1

2

3

Steps 1-3 to remove standard mounting screws



4

Steps 4-6 to reassemble with alternate mounting screws

6

5

# STEP 2

1

Step 1

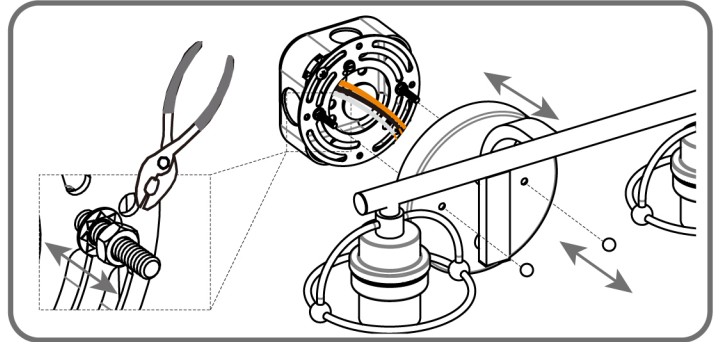
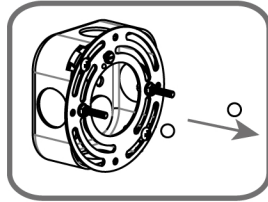
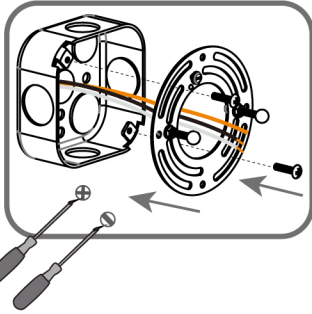
Install crossbar assembly

2

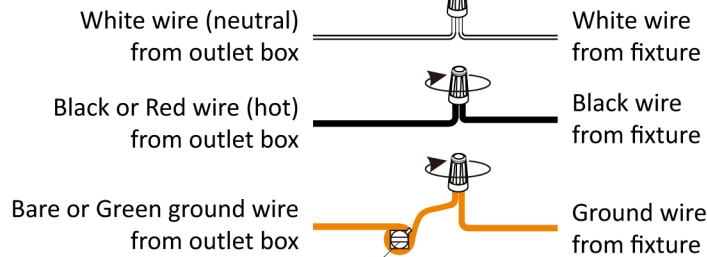
Step 2-3

Tes fitting backplate to mounting screws

3

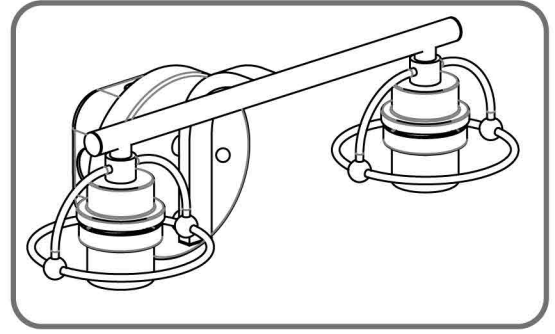
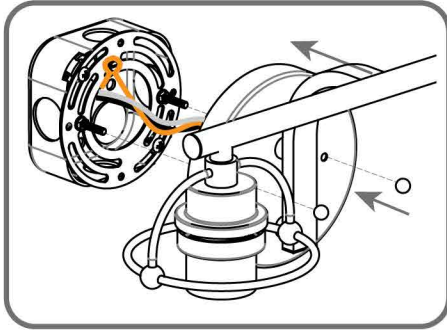


# STEP 3



\* Green Ground Screw on Crossbar optional

## STEP 4



## STEP 5

1

Remove socket collar



2

Install glass shade and bulb

