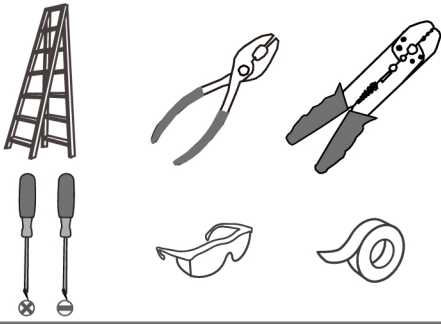
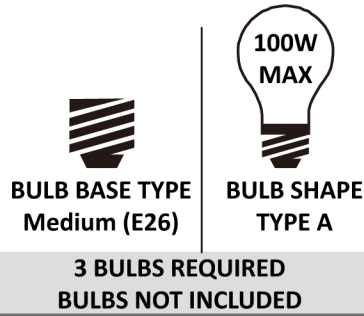


### Tools Required



### Light Source



### Warnings and Cautions

Turn off the electricity at the circuit breaker before installation. Consult a licensed electrician if in doubt about installation.

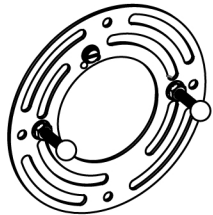
Turn off power to the fixture and allow the bulbs to cool before replacing.

### Package Contents

**Preparation:** Identify and inspect all parts before beginning the installation.

**Missing or damaged parts?** Contact your original place of purchase.

#### PARTS BAG

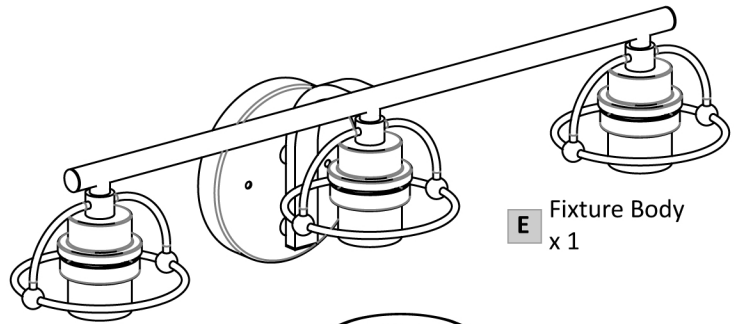


**A** Crossbar Assembly x 1

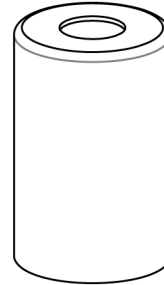
**B** Alternate Mounting Screw x 2

**C** Outlet Box Screw x 2

**D** Wire Connector x 3



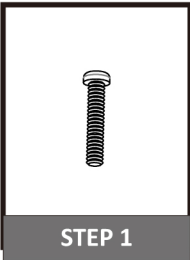
**E** Fixture Body x 1



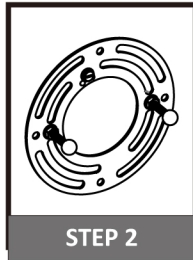
**F** Glass Shade x 3

### Table of Contents

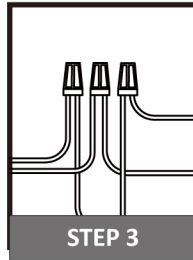
#### Alternate Mounting Screw



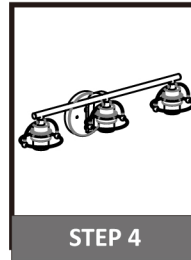
#### Crossbar Assembly



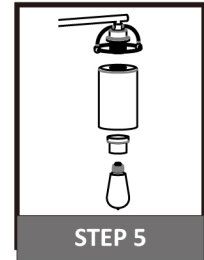
#### Wiring



#### Fixture Body



#### Glass Shade & Bulb



# STEP 1

OPTION 1

Mounting Screw



Included (Pre-assembled)

OPTION 2

Alternate Mounting Screw



Included

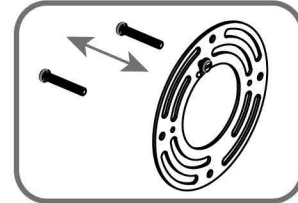
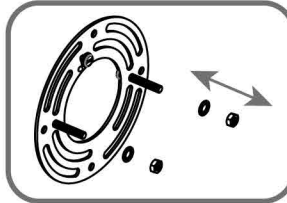
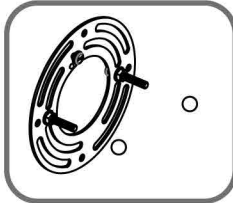
Skip to next step

1

2

3

Steps 1-3 to remove standard mounting screws



4

Steps 4-6 to reassemble with alternate mounting screws

6

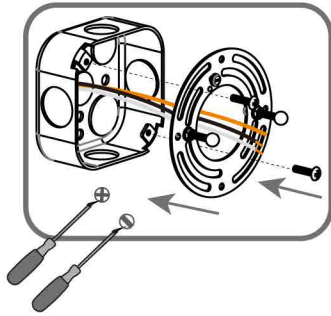
5

# STEP 2

1

Step 1

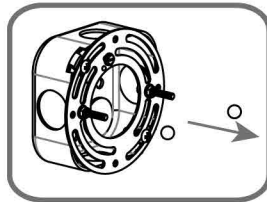
Install crossbar assembly



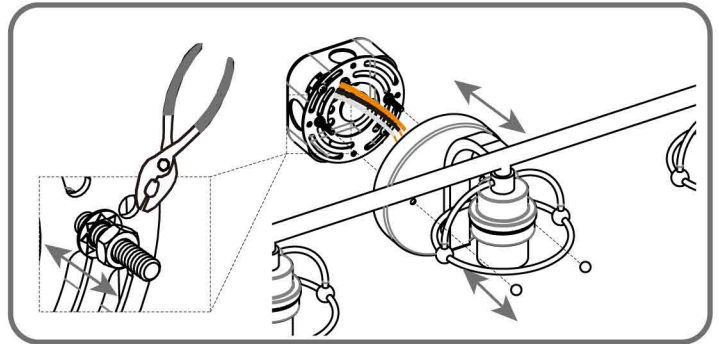
2

Step 2-3

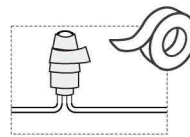
Tes fitting backplate to mounting screws



3



# STEP 3



White wire (neutral) from outlet box

Black or Red wire (hot) from outlet box

Bare or Green ground wire from outlet box

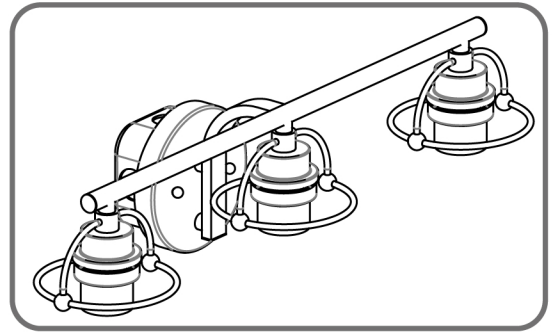
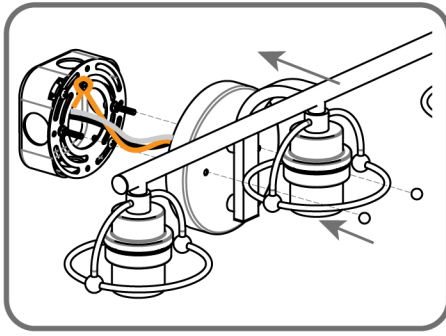
White wire from fixture

Black wire from fixture

Ground wire from fixture

\* Green Ground Screw on Crossbar optional

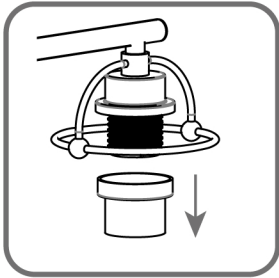
## STEP 4



## STEP 5

1

Remove socket collar



2

Install glass shade and bulb

